

HOME COLONIAL SIGNPOST

DIVISION OF ROBWOOD INC



WE SHIP ACROSS CANADA



FOR CATALOGUE UPDATES AND SALE'S PROMOTIONS, PLEASE REFER TO
HomeColonialSignpost.com

REAL ESTATE YARD SIGN CATALOGUE 2026 rev 1

TEL.: 450-477-2828 • FAX: 450-477-6819 • E-mail: HcsSigns@icloud.com



Applicable to all of Canada except Ontario
Each RE/MAX Office is Independently Owned and Operated. © Registered trademark of RE/MAX Real Estate LLC,
used under license. TM Trademark of RE/MAX Real Estate LLC, used under license.

Applicable to Ontario only
Independently Owned and Operated. © Registered trademark of RE/MAX Real Estate LLC,
used under license. TM Trademark of RE/MAX Real Estate LLC, used under license.

HOME COLONIAL SIGNPOST

DIVISION OF ROBWOOD INC

How to assemble and install	4
Imagemaker Sign post System	5
Residential Yard Sign 24" X 18"	6
Residential Yard Sign 24" X 30"	7-9
Residential Yard Sign 36" X 24"	10-11
Re/max Collection 24" X 30"	12
Sign Riders 30" X 6"	13
Sign Riders 24" X 6"	14
Complete Steel Frame Kit.....	15
Special Complete Sign post Kit	16
Extra Large Commercial Signs 48" X 48"	17
Extra Large Commercial Signs 60" X 48"	18
Sign Riders	19
Sign Stickers	20
Open House Signs.....	21-22
Directional Signs.....	23-25
Sign Accessories	26-27
Steel Yard Frames	28
Personal Promotional Products.....	29-30
Order Form	31

* WHITE COROPLAST CAN BE TRANSLUCENT IN VERY BRIGHT AREAS.

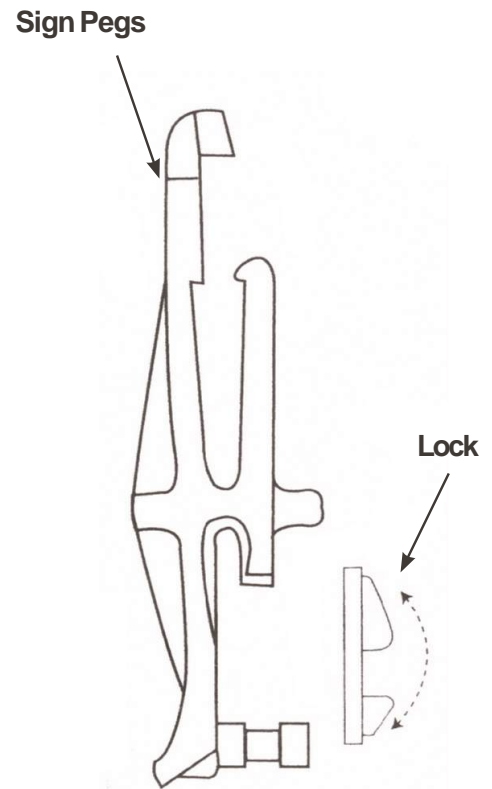
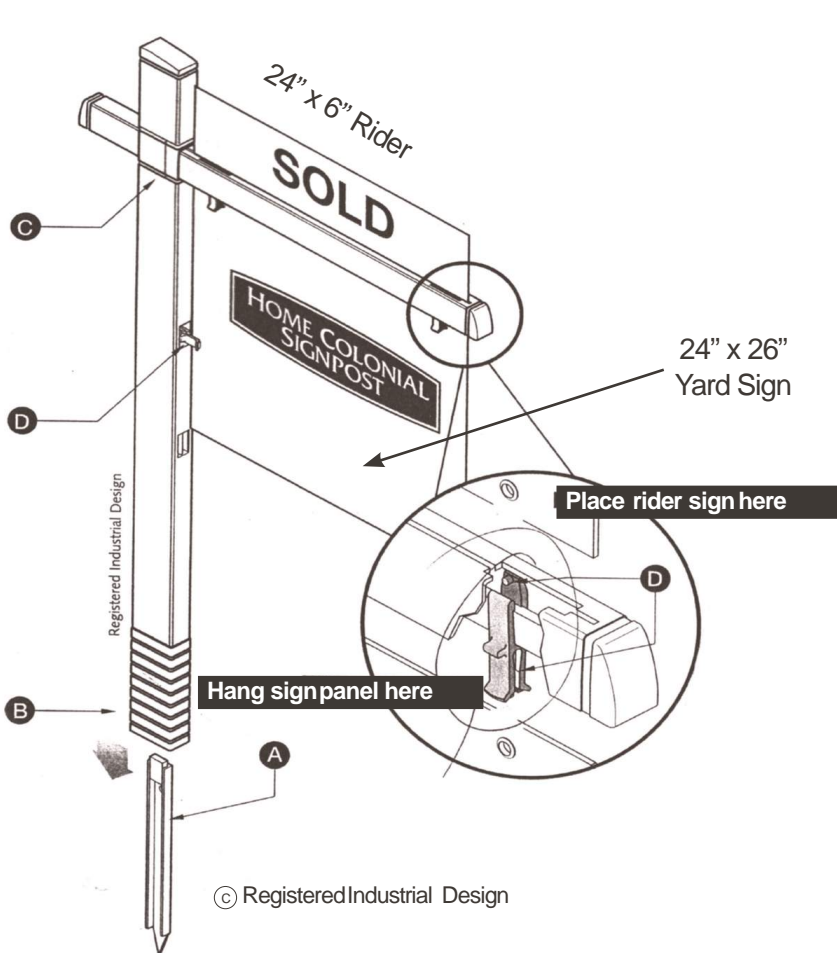
Need a catalogue?

Download it from our website HomeColonialSignpost.com

Applicable to all of Canada except Ontario Each Remax Office is Independently Owned and Operated.

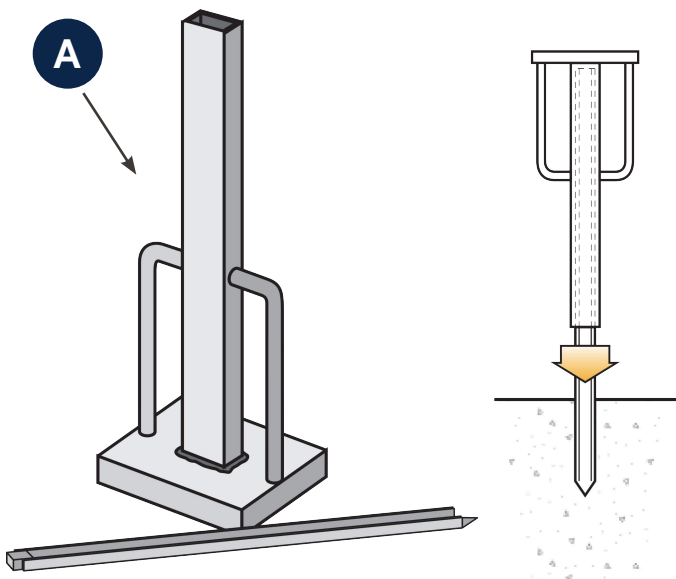
Applicable to Ontario only Independently Owned and Operated.

The Igemaker Sign Post



(For hanging main sign panel beneath cross-arm, And, for attaching side of main sign panel to upright post to prevent swinging)

QUICK'N EASY



- A** Pound stake into soil using a stake hammer (stop at the yellow line);
- B** Slide upright portion of post onto top of stake;
- C** Slide crossarm portion into upright until snap;
- D** Insert sign pegs in post and hang sign panel;
- E** Slide message rider sign into slot of crossarm;

« Snap Assembly » Sign Post System
ITEM X2005P
Model A

White Post

Includes sign post assembly & ground stake.

QTY: 3 Per Box
 Model A (White) Post 60" = \$ 100.30 each post
Available in boxes of 3 only
Quick'n easy to install:

- A) Pound stake into ground with stake hammer
Item #7095, page 27
- B) Slide upright portion of post onto top of stake;
- C) Slide crossarm portion into upright until it snaps;
- D) Insert sign pegs in post until they clip, hang sign panel and then slide rider sign into slot of crossarm.

2 PRODUCT WARRANTY YEARS!*

*Your Imagemaker Signpost warranty covers all defects in materials and workmanship.

The following are not covered by the warranty:

- 1- **Units on which the manufacture date has been Defaced, modified or removed.**
- 2- **Damage or deterioration resulting from:**
 - A- Installation or removal of the signpost.
 - B- Accident, misuse, abuse, neglect, unauthorized product modification.
 - C- Installation of parts or accessories that do not conform to the quality or specification of the original sign post or accessories.

Please Photocopy
AND ATTACH TO ORDER FORM

Yard Signs 60" Sign Post System

ITEM X6005

24" x 18" YARD SIGN WITH ASSOCIATE IDENTIFIER

DESCRIPTION:

- 4 mm coroplast sign panel
- Imprinted with DBA, phone number and website
- Standard 5 grommet hole pattern

SPECIFICATIONS:

- 5 grommets
- no grommets
- to fit steel frames

QUANTITY AND PRICE: PRINTED 2 SIDES

- 6 = \$ 26.60 / ea.
- 12 = \$ 25.20 / ea.
- 24 = \$ 23.80 / ea.

PRINTED 1 SIDE ONLY

- 6 = \$ 23.95 / ea.
- 12 = \$ 22.70 / ea.
- 24 = \$ 21.45 / ea.

Company Name: **REMAX**

DBA _____

A) Agent Name: _____

B) Agent Phone Number : _____

C) Agent Website or Email: _____

D) Office Phone Number: _____

Model 24" x 18"



LOGOS:



Please Photocopy
AND ATTACH TO ORDER FORM

Yard Signs 60" Sign Post System

ITEM X6021

24" x 30" YARD SIGN WITH ASSOCIATE IDENTIFIER

Model A



- ← A
- ← B
- ← D
- ← DBA
- ← E

DESCRIPTION:

- 4 mm coroplast sign panel
- Imprinted with DBA, website and phone number

SPECIFICATIONS:

4 grommets

no grommets

QUANTITY AND PRICE: PRINTED 2 SIDES

Model A B

6 = \$37.80 / ea. 24 = \$35.00 / ea.

12 = \$36.40 / ea.

PRINTED 1 SIDE ONLY

Model A B

6 = \$34.05 / ea. 24 = \$31.50 / ea.

12 = \$32.80 / ea.

Company Name: **REMAX**

DBA _____

A) Agent Name: _____

B) Agent Phone Number _____

C) Team Name: _____

D) Agent Website or Email: _____

E) Office Phone Number: _____

Model B



- ← A
- ← C
- ← D
- ← DBA
- ← E

LOGOS:



Please Photocopy
AND ATTACH TO ORDER FORM

Yard Signs 60" Sign Post System

ITEM X6021

Model C



← Item #6090
page 19

← A
← B
← C

← DBA
← D

Model D



← Item #6090
page 19

← A
← B
← C

← DBA
← D

24" x 30" YARD SIGN WITH ASSOCIATE IDENTIFIER

DESCRIPTION:

- 4 mm coroplast sign panel
- Imprinted with DBA, website and phone number

SPECIFICATIONS:

4 grommets

no grommets

QUANTITY AND PRICE: PRINTED 2 SIDES

Model C D

6 = \$37.80 / ea. 24 = \$35.00 / ea.

12 = \$36.40 / ea.

PRINTED 1 SIDE ONLY

Model C D

6 = \$34.05 / ea. 24 = \$31.50 / ea.

12 = \$32.80 / ea.

Company Name: **REMAX**

DBA _____

A) Agent Name: _____

B) Agent Phone Number: _____

C) Agent Website or Email: _____

D) Office Phone Number: _____

LOGOS:



* Note: For quality purpose, agent photos should be taken at the highest possible resolution, but no less than 6" x 6" at 300 dpi (dots per inch). Shoot photos in color.

Please Photocopy
AND ATTACH TO ORDER FORM

Yard Signs 60" Sign Post System

ITEM X6021

Model E



← Item #6090
page 19

← DBA
← A

← B
← C
← D

24" x 30"

YARD SIGN WITH ASSOCIATE IDENTIFIER

DESCRIPTION:

- 4 mm coroplast sign panel
- Imprinted with DBA, website and phone number

SPECIFICATIONS:

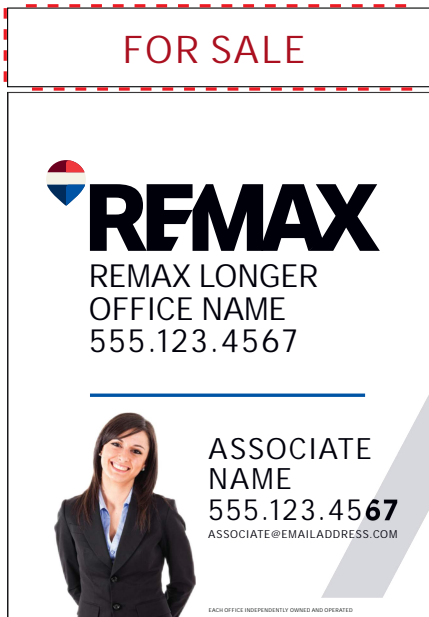
- 4 grommets
- no grommets

QUANTITY AND PRICE: PRINTED 2 SIDES

Model E F

- 6 = \$37.80 / ea. 24 = \$35.00 / ea.
- 12 = \$36.40 / ea.

Model F



← Item #6090
page 19

← DBA
← A

← B
← C
← D

PRINTED 1 SIDE ONLY

Model E F

- 6 = \$34.05 / ea. 24 = \$31.50 / ea.
- 12 = \$32.80 / ea.

Company Name: **REMAX**

DBA _____

A) Office Phone Number: _____

B) Agent Name: _____

C) Agent Phone Number: _____

D) Agent Website or Email: _____

LOGOS:



* Note: For quality purpose, agent photos should be taken at the highest possible resolution, but no less than 6" x 6" at 300 dpi (dots per inch). Shoot photos in color.

Please Photocopy
AND ATTACH TO ORDER FORM

Yard Signs

ITEM X6040

36" x 24" CORRUGATED PLASTIC SIGN PANEL

Model A



DESCRIPTION:

- 4 mm coroplast sign panel
- Imprinted with DBA, website and phone number
- Standard 5 grommets hole pattern

SPECIFICATIONS:

- 5 grommets
- No grommets

Model B



QUANTITY AND PRICE: PRINTED 2 SIDES

Model A Model B Model C

- 5 = \$54.60 / ea.
- 15 = \$51.80 / ea.
- 10 = \$53.20 / ea.
- 20 = \$50.40 / ea.

Company Name: **REMAX**

DBA: _____

A) Agent Name: _____

B) Agent Phone Number: _____

C) Agent Email: _____

D) Office Phone Number: _____

Model C



LOGOS:



Please Photocopy
AND ATTACH TO ORDER FORM

Yard Signs

ITEM X6040

36" x 24" CORRUGATED PLASTIC SIGN PANEL

Model D



← A
← B
← C

← DBA
← D

DESCRIPTION:

- 4 mm coroplast sign panel
- Imprinted with DBA, website and phone number
- Standard 5 grommets hole pattern

SPECIFICATIONS:

- 5 grommets
- No grommets

Model E



← A
← B
← C

← DBA
← D

QUANTITY AND PRICE: PRINTED 2 SIDES

- Model D Model E Model F
- 5 = \$54.60 / ea. 15 = \$51.80 / ea.
- 10 = \$53.20 / ea. 20 = \$50.40 / ea.

Model F



← A
← B
← C

← DBA
← D

Company Name: **REMAX**

DBA: _____

A) Agent Name: _____

B) Agent Phone Number: _____

C) Agent Email: _____

D) Office Phone Number: _____

LOGOS:



Please Photocopy
AND ATTACH TO ORDER FORM

ITEM X6060

24" x 30"

RE/MAX COLLECTION

FINE HOMES & LUXURY PROPERTIES

DESCRIPTION:

- 4 mm coroplast office identification sign
- Imprinted with DBA, website, phone number

SPECIFICATIONS:

- 4 grommets
- no grommets

QUANTITY AND PRICE: PRINTED 2 SIDES

- 3 = \$43.75 / ea.
- 6 = \$37.80 / ea.
- 12 = \$36.40 / ea.
- 24 = \$35.00 / ea.

Model 24" x 30"



LOGOS:



Company Name: **REMAX**

DBA _____

A) Agent Name: _____

B) Agent Phone Number: _____

C) Office Phone Number: _____

Your Sign Message: _____

Please Photocopy
AND ATTACH TO ORDER FORM

ITEM X6045

Model 30" x 6"

PROPERTY INFORMATION

ASSOCIATE NAME (OPTIONAL) OR
PROPERTY INFORMATION

TEAM NAME (OPTIONAL) OR
PROPERTY INFORMATION

CONTACT INFORMATION

ANNIE SMITH 555.124.5354

30" x 6" AGENT NAME RIDERS

DESCRIPTION:

- 4 mm coroplast agent identification sign
- Available in blue or red print

SPECIFICATIONS:

2 grommets:

Top

Bottom

QUANTITY AND PRICE: **PRINTED 2 SIDES**

6 = \$23.10 / ea.

12 = \$21.70 / ea.

25 = \$20.30 / ea.

A) Agent Name:

B) Title:

C) Agent Phone Number:

D) Agent Website or Email:

ITEM X6085**Model 24" x 6"****PROPERTY INFORMATION****ASSOCIATE NAME (OPTIONAL) OR
PROPERTY INFORMATION****TEAM NAME (OPTIONAL) OR
PROPERTY INFORMATION****CONTACT INFORMATION****ANNIE SMITH
555.124.5354** **ANNIE SMITH
555.124.5354** **MIRACLE
HOME****24" x 6"
AGENT NAME RIDERS****DESCRIPTION:**

- 4 mm coroplast agent identification sign
- Available in blue or red print

SPECIFICATIONS:

2 grommets:

 Top Bottom Center print for steel frame**QUANTITY AND PRICE: PRINTED 2 SIDES** 6 = \$13.30 / ea. 12 = \$12.60 / ea. 24 = \$11.90 / ea.

A) Agent Name: _____

B) Title: _____

C) Agent Phone Number: _____

D) Agent Website or Email: _____

* Note: For quality purpose, agent photos should be taken at the Highest possible resolution, but no less than 6" x 6" at 300 dpi (dots per inch). Shoot photos in color.

Please Photocopy
AND ATTACH TO ORDER FORM

Complete Steel Frame Kit

ITEM X6075

Model L 24" x 18"

FOR SALE

ASSOCIATE NAME
555.123.4567
ASSOCIATE@EMAILADDRESS.COM

REMAX OFFICE NAME
555.123.4567

← A
← B
← C
← DBA
← D

LOGOS:



A value of \$950.00
for only **\$890.00**

Just Listed

FOR SALE

ASSOCIATE NAME
555.123.4567
ASSOCIATE@EMAILADDRESS.COM

REMAX OFFICE NAME
555.123.4567

Anna Smith
Sales representative
555-456-7890

New slide-in insert

- ITEM X7080 A) 8 Steel frames (2 boxes)
- ITEM X6005 B) 8 Yard Signs 24" X 18"
- ITEM X6085 C) 8 Name Riders 24" X 6"
- ITEM X6090 D) 4 "Just Listed" 24" X 6"
- ITEM X6090 E) 4 "Open Sunday 2 to 4" 24" X 6"
- ITEM X6090 F) 4 "Sold" 24" X 6"

Company Name: **REMAX**

DBA _____

A) Agent Name: _____

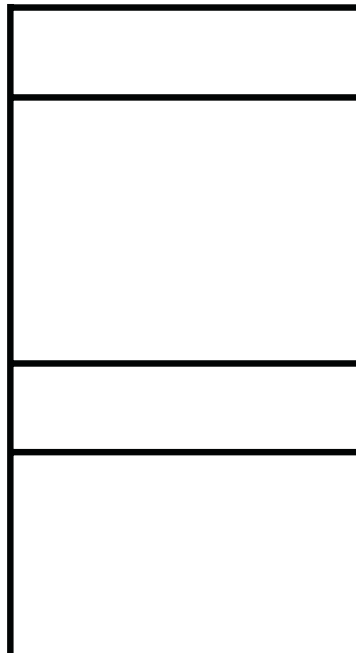
B) Agent Phone Number: _____

C) Agent Website or Email: _____

D) Office Phone Number: _____

ITEM X7080

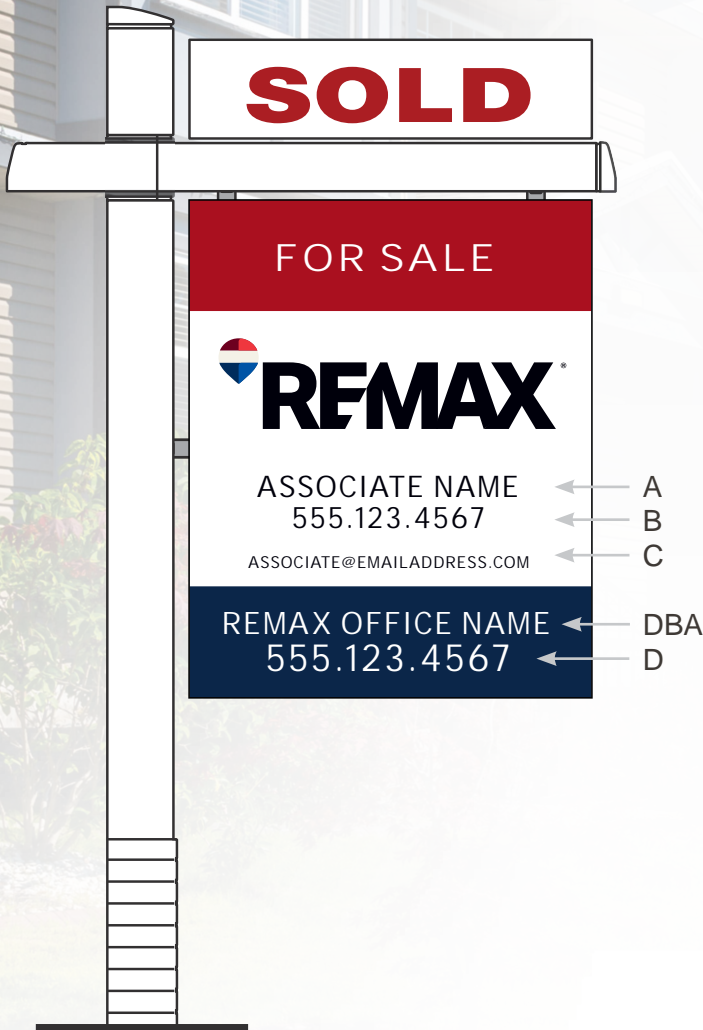
See page 28



Please Photocopy
AND ATTACH TO ORDER FORM

60" Sign post system

ITEM X9000A



SPECIAL

COMPLETE SIGN POST KIT

Model A

DESCRIPTION:

- A) 6 IMAGE MAKER 60" SIGN POSTS (2 boxes) complete with ground stakes & pegs
- B) 6 YARD SIGNS (24" X 30") with associated identifier
- C) 12 MESSAGE RIDERS (24" X 6")
 - 3 "NEW PRICE"
 - 3 "OPEN SUNDAY 2 TO 4"
 - 3 "JUST LISTED"
 - 3 "SOLD"

LOGOS:



Company Name: **REMAX**

DBA _____

A) Agent Name: _____

B) Agent Phone Number: _____

C) Agent Website or Email: _____

D) Office Phone Number: _____

A value of \$980.00
for only **\$929.00**

* Note: For quality purpose, agent photos should be taken at the highest possible resolution, but no less than 6" x 6" at 300 dpi (dots per inch). Shoot photos in color.

* RE/MAX Policy and Procedures Manual requires that brokers use the RE/MAX Colonial Post Sign made to Franchise Identification System Specifications unless prohibited from doing so by the client or by law or local ordinance. Yard signs depicted in other formats are offered for your convenience and should only be used when it is not possible to use the Colonial Post Yard Sign.

Please Photocopy
AND ATTACH TO ORDER FORM

Commercial Signs

ITEM X6065

Model 48" x 48"



48" x 48" EXTRA LARGE YARD SIGNS

LARGE, PRINTED ON ONE SIDE COROPLAST SIGN IDEAL FOR INDUSTRIAL, COMMERCIAL BUILDINGS, OPEN LOTS AND ACREAGE.

Ready to install on buildings, etc. Coroplast signs are inexpensive to ship and easy to install. Signs should be supported with wooden frame (1" x 3" furring).

DESCRIPTION:

- 6 mm coroplast office identification sign
- White coroplast can be translucent in very bright areas

QUANTITY AND PRICE: **PRINTED 1 SIDE ONLY**

- 1 = \$182.00 / ea.
- 2 = \$175.00 / ea.
- 6 = \$168.00 / ea.

Company Name: **REMAX**

DBA _____

A) Message: _____

B) Agent Name: _____

C) Agent Phone Number: _____

Please Photocopy
AND ATTACH TO ORDER FORM

ITEM X6070

Model 60" x 48"



additional listing detail, images, illustrations, etc.

60" x 48" EXTRA LARGE YARD SIGNS

LARGE, PRINTED ON ONE SIDE COROPLAST SIGN IDEAL FOR INDUSTRIAL, COMMERCIAL BUILDINGS, OPEN LOTS AND ACREAGE.

Ready to install on buildings, etc. Coroplast signs are inexpensive to ship and easy to install. Signs should be supported with wooden frame (1" x 3" furring).

DESCRIPTION:

- 6 mm coroplast office identification sign

QUANTITY AND PRICE:

PRINTED 1 SIDE ONLY

1 = \$196.00 / ea.

2 = \$189.00 / ea.

6 = \$175.00 / ea.

Company Name: **REMAX**

DBA _____

A) Message: _____

B) Agent Name: _____

C) Agent Phone Number: _____

Please Photocopy
AND ATTACH TO ORDER FORM

ITEM X6090

Special Features And Activities / DESCRIPTION:

Printed 2 sides on 4 mm coroplast sign riders (white coroplast can be translucent in very bright areas)

SOLD

SOLD

SOLD

Model:

A

B

C

24" x 6"	24" x 8"	36" x 6"	36" x 8"
<input type="checkbox"/> 6 = \$ 13.30 each	<input type="checkbox"/> 6 = \$ 14.25 each	<input type="checkbox"/> 6 = \$ 23.10 each	<input type="checkbox"/> 6 = \$ 23.10 each
<input type="checkbox"/> 12 = \$ 12.60 each	<input type="checkbox"/> 12 = \$ 13.55 each	<input type="checkbox"/> 12 = \$ 21.70 each	<input type="checkbox"/> 12 = \$ 21.70 each
<input type="checkbox"/> 24 = \$ 11.90 each	<input type="checkbox"/> 24 = \$ 12.85 each	<input type="checkbox"/> 24 = \$ 20.30 each	<input type="checkbox"/> 24 = \$ 20.30 each
<input type="checkbox"/> 50 = \$ 11.60 each	<input type="checkbox"/> 50 = \$ 12.55 each	<input type="checkbox"/> 50 = \$ 19.70 each	<input type="checkbox"/> 50 = \$ 19.70 each
<input type="checkbox"/> 100 = \$ 11.35 each	<input type="checkbox"/> 100 = \$ 12.30 each	<input type="checkbox"/> 100 = \$ 19.25 each	<input type="checkbox"/> 100 = \$ 19.25 each

Grommets: Top Bottom Center for steel frames None

NOTE: Minimum of 6 signs, no mixing

Sign #s: _____ Quantity: _____

Ajouts en Français

Description: _____

7 0 0 Commercial	7 1 2 Open →	7 2 3 Open House	7 3 8 Open Sunday 2-4	7 5 1 Must See Inside!
7 0 1 Office	7 1 3 Auction	7 2 4 For Lease	7 4 0 Model Open →	7 5 2 New Price!
7 0 2 3 Bedroom	7 1 4 →	7 2 7 Lot	7 4 1 Farm	7 5 3 Open Sunday 1-3
7 0 5 Lakefront	7 1 5 Open Sunday 1-4	7 2 8 Sale Pending	7 4 2 Open Saturday	7 5 4 Open Sat. ___ to ___
7 0 6 Swimming Pool	7 1 6 For Sale	7 2 9 Rentals	7 4 3 Open Sunday	7 5 6 Lake Rights
7 0 7 By Appt. Only	7 1 7 Owner Finance	7 3 0 Waterfront	7 4 4 Sold <small>But, we Have Others</small>	7 5 7 Lot #
7 0 8 Sold	7 1 8 Exclusive	7 3 1 Income Property	7 4 5 Acreage	7 5 8 Just Listed
7 0 9 2 Family	7 1 9 Lots	7 3 2 Open House →	7 4 8 Duplex	7 5 9 In Contract
7 1 0 4 Bedroom	7 2 0 Price Reduced	7 3 3 For Rent	7 4 9 Home For Sale →	7 6 0 Multi-Family
7 1 1 _____ Acres	7 2 2 Available	7 3 5 Build To Suit	7 5 0 Home Warranty	7 6 1 Condo

EMAIL US YOUR PRINT AND SIZE FOR A PRICE QUOTE

ITEM X6095

- Red sticker with white lettering
- White sticker with red lettering
- Transparent sticker, white or red lettering

Size of Sticker: _____

Message print: _____

ITEM X7000

WHITE STICKERS WITH RED OR BLUE LETTERING

SIZE		QUANTITY			
		15	25	50	100
<input type="checkbox"/>	15" X 3"	\$4.85 each	\$3.65 each	\$3.25 each	\$2.20 each
<input type="checkbox"/>	21" X 3"	\$5.45 each	\$4.15 each	\$3.75 each	\$3.15 each

Message print: _____

ITEM X7005

TRANSPARENT STICKERS WITH RED OR BLUE LETTERING

SIZE		QUANTITY			
		15	25	50	100
<input type="checkbox"/>	15" X 4"	\$5.65 each	\$4.15 each	\$3.65 each	\$3.40 each

Message print: _____

ITEM X7010

EXTRA LARGE PERSONALIZED STICKERS

		QUANTITY	
		15	25
<input type="checkbox"/>	24" X 7.5"	\$10.70 each	\$8.50 each

ITEM X7015

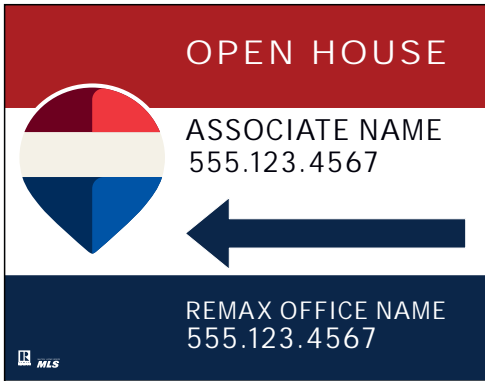
Model A - 24" X 18"



Model B - 24" X 18"



Model C - 24" X 18"



* Note: For quality purpose, agent photos should be taken at the highest possible resolution, but no less than 6" x 6" at 300 dpi (dots per inch). Shoot photos in color.

- Photo on file*
- Sending photo by email*

24" x 18" Open House Signs

DESCRIPTION:

- Printed 1 side only
 - 4 mm coroplast sign
- White coroplast can be translucent in very bright areas

Minimum order = 12

SPECIFICATIONS:

MODE A B C

→ QTY: _____ ← QTY: _____

Minimum order = 12

- 12 = \$ 22.70 / ea.
- 24 = \$ 21.45 / ea.
- 50 = \$ 20.20 / ea.

MODEL A

Company Name: **REMAX**
 DBA _____
 A) Agent name: _____
 B) Agent Phone Number: _____
 C) Office Phone Number: _____

MODEL B

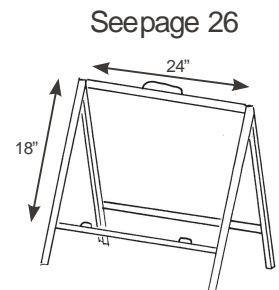
Company Name: **REMAX**
 DBA _____
 A) Office Phone Number: _____

MODEL C

Company Name: **REMAX**
 DBA _____
 A) Agent Name: _____
 B) Agent Phone Number : _____
 C) Office Phone Number: _____

ITEM X7070

These signs work well with this A-Frame.



ITEM X7025

Model A - 24" X 8"



Model B - 24" X 8"



ITEM X7030

Model A - 24" X 8"



Model B - 24" X 8"



ALSO AVAILABLE: PRINTED 2 SIDES

10 = \$15.30 / ea.

15 = \$13.95 / ea.

25 = \$13.25 / ea.

24" x 8"

DIRECTIONAL SIGN WITH STEPSTAKE

DESCRIPTION:

- 2 X 4 mm coroplast signs glued back to back
- Printed 1 side only, including step stake, nuts and bolts
- Weight: 3.75 lbs. each
- White coroplast can be translucent in very bright areas

SPECIFICATIONS:

Model A B

QUANTITY AND PRICE: NO MIXING

10 = \$ 44.20 / ea. (2 boxes)

15 = \$ 41.40 / ea. (3 boxes)

25 = \$ 39.60 / ea. (5 boxes)

Company Name: **REMAX**

DBA _____

B) Agent Name: _____

C) Title: _____

D) Agent Phone Number: _____

24" x 8" **DIRECTIONAL SIGN**

DESCRIPTION:

- 4 mm coroplast sign

SPECIFICATIONS: PRINTED 1 SIDE

MINIMUM 10 EACH DIRECTION, NO MIXING

Model A B

→ QTY: _____ ← QTY: _____

QUANTITY AND PRICE:

20 = \$ 12.60 / ea.

30 = \$ 11.95 / ea.

50 = \$ 11.45 / ea.

Company Name: **REMAX**

DBA _____

B) Agent Name: _____

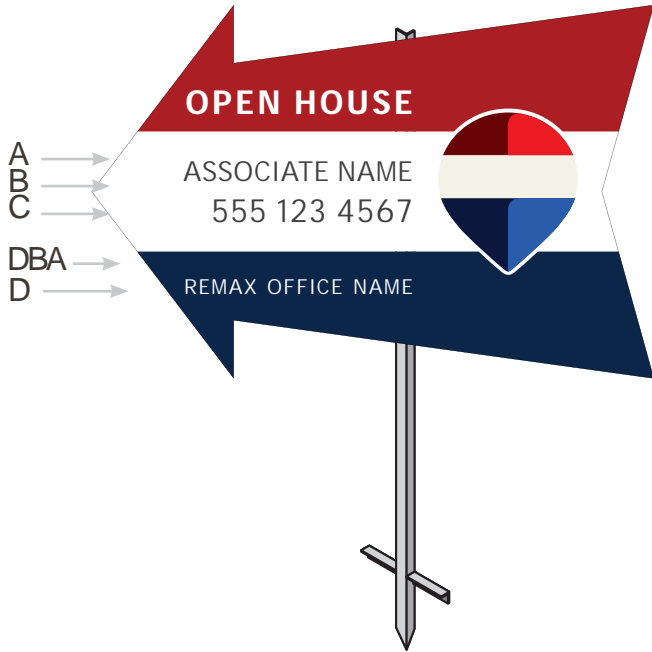
C) Title: _____

D) Agent Phone Number: _____

and Stakes

ITEM X7050

Model 24" x 18"



24" x 18" ARROW DIE-CUT SIGN DIRECTIONAL SIGN WITH STEPSTAKE

DESCRIPTION: 2 x 4 mm coroplast signs glued back to back

- Step stake, nuts and bolts
- Weight: 4.75 lbs. each

SPECIFICATIONS:

FOR SALE OPEN HOUSE

QUANTITY AND PRICE: NO MIXING

- 10 = \$ 65.10 / ea. (2 boxes)
- 15 = \$ 62.60 / ea. (3 boxes)
- 25 = \$ 60.10 / ea. (5 boxes)

Company Name: **REMAX**

DBA _____

A) Agent Name: _____

B) Agent Phone Number: _____

C) Website or Email: _____

D) Office Phone Number: _____

ITEM X7055

Model 24" x 18"



24" x 18" SINGLE SIDED ARROW DIRECTIONAL SIGNS

DESCRIPTION: 4 mm coroplast sign

- Printed 1 side only

SPECIFICATIONS:

FOR SALE → QTY: _____ ← QTY: _____

OPEN HOUSE → QTY: _____ ← QTY: _____

**QUANTITY AND PRICE: NO MIXING
MINIMUM ORDER 10 PER DIRECTION**

- 20 = \$24.20 / ea. 50 = \$21.70 / ea.

Company Name: **REMAX**

DBA _____

A) Agent Name: _____

B) Agent Phone Number: _____

C) Website or Email: _____

D) Office Phone Number: _____

LOGOS:



ITEMX7051

Model 24" x 24"



24" X 24"

LITTLE HOUSE DIE-CUT SIGN DIRECTIONAL SIGN WITH STEPSTAKE

DESCRIPTION:

- 2 X 4 mm coroplast signs glued back to back
- Includes step stake, nuts and bolts
- Weight: 4.75 lbs. each

SPECIFICATIONS:

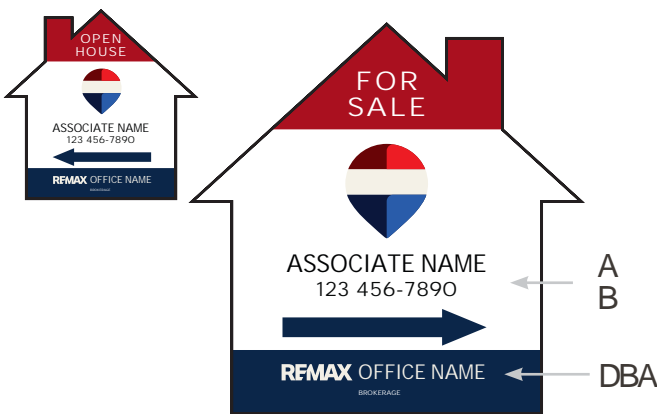
- FOR SALE
- OPEN HOUSE

QUANTITY AND PRICE:NO MIXING

- 10 = \$ 81.35 / ea. (2 boxes)
- 15 = \$ 78.85 / ea. (3 boxes)
- 25 = \$ 76.35 / ea. (5 boxes)

ITEMX7052

Model 24" x 24"



Company Name: **REMAX**

DBA: _____

A) Agent name: _____

B) Agent Phone Number: _____

SINGLE SIDED DIRECTIONAL SIGNS

DESCRIPTION:

- Printed 1 side only
- 1 X 4 mm coroplast sign

SPECIFICATIONS:

- FOR SALE QTY → : ____ QTY ← : ____
- OPEN HOUSE QTY → : ____ QTY ← : ____

QUANTITY AND PRICE:NO MIXING
MINIMUM ORDER 10 PER DIRECTION

- 20 = \$32.35 / ea. 50 = \$29.85 / ea.

LOGOS:



Company Name: **REMAX**

DBA: _____

A) Agent Name: _____

B) Agent Phone Number: _____

Please Photocopy
AND ATTACH TO ORDER FORM

ITEMX7052

Model A



Model B



24" X 12" Directional sign with wire stakes

DESCRIPTION:

- Printed 2 sides
- With 30" galvanized wire stakes
- Use these lightweight, moisture proof, 4 mm corrugated plastic signs where cost is a factor. They will fit our H-Frame Wire Stake (sold separately. Signs are available with vertical flutes only and are printed on both sides. Personalized at no extra charge
- Weight: 4.75 pounds each

YARD SIGN PRINTING SPECIFICATIONS:

REMAX

DBA _____

A) Agent name: _____

B) Title: _____

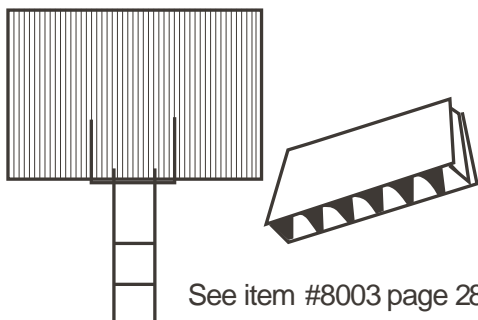
Specify: OPENHOUSE or FORSALE

Model A B

- 12 Directional signs & stakes= \$ 25.55 each (1 box)
- 24 Directional signs & stakes= \$ 24.15 each (2 boxes)
- 48 Directional signs & stakes= \$ 22.75 each (4 boxes)

Galvanized Wire Stake

- 10" X 30" galvanised stake
- 1/8" Wire construction
- For use with 4mm Corrugated sign panels
- Affordable and easy to use



See item #8003 page 28

Please Photocopy
AND ATTACH TO ORDER FORM

ITEM X7060

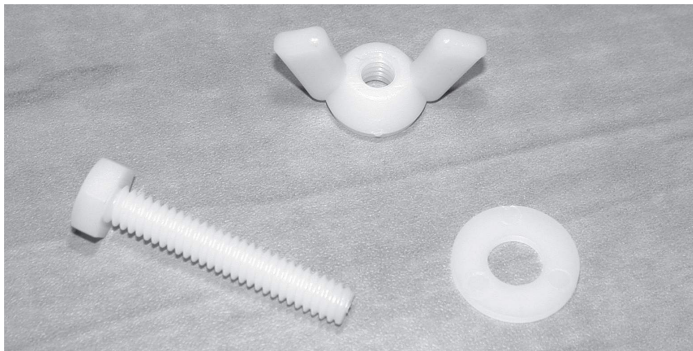
STEP STAKE NUTS AND BOLTS

DESCRIPTION:

- 1 Bag= 10 bolts, 10 wing nuts and 20 washers

PRICE:

\$4.70 each bag



ITEM X7065

SIGN PEGS

DESCRIPTION:

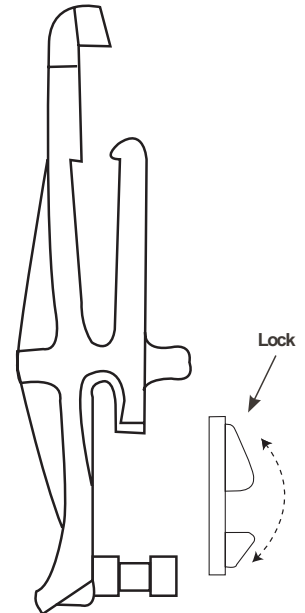
- Plastic Sign Holder Pegs

PRICE:

9 PER BAG
\$25.75 each bag

Model A (White)

Model B (Black)



ITEM X7070

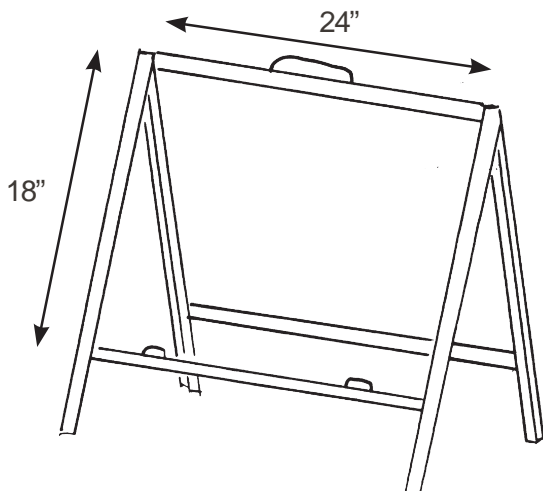
A-FRAME OR TENT FRAME

DESCRIPTION:

- Powder coated For OPENHOUSE, FOR SALE and DIRECTIONAL SIGNS

PRICE:

4 PER BOX
\$44.90 each frame



ITEM X7075

RIDER SIGN HANGER CLIPS

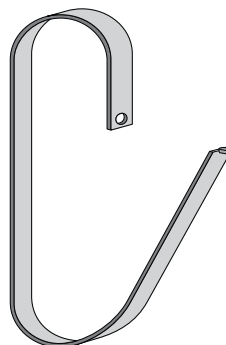
DESCRIPTION:

- 100% Stainless Steel Clips, For Hanging Name Rider Signs
- 36 clips per bag

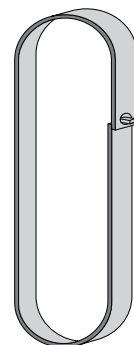
PRICE:

\$29.30 per bag

OPEN



CLOSE



Please Photocopy
AND ATTACH TO ORDER FORM

ITEM X7085

EXTRA YARD SIGN GROUND STAKES

DESCRIPTION:

- Powder coated
- Available only in packages of 3 ground stakes

PRICE:

3 PER PACKAGE
\$ 48.00 per package



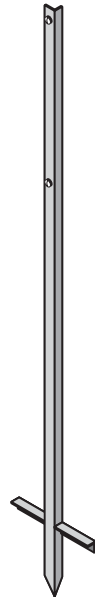
ITEM X7090

DESCRIPTION:

- Step Stake 48"
- Weight: 2.75 lbs. each
- Minimum order of 5
- Includes nylon nuts, bolts and washers
- Powder coated

PRICE:

5 PER BOX
\$83.50 per box



ITEM X7095

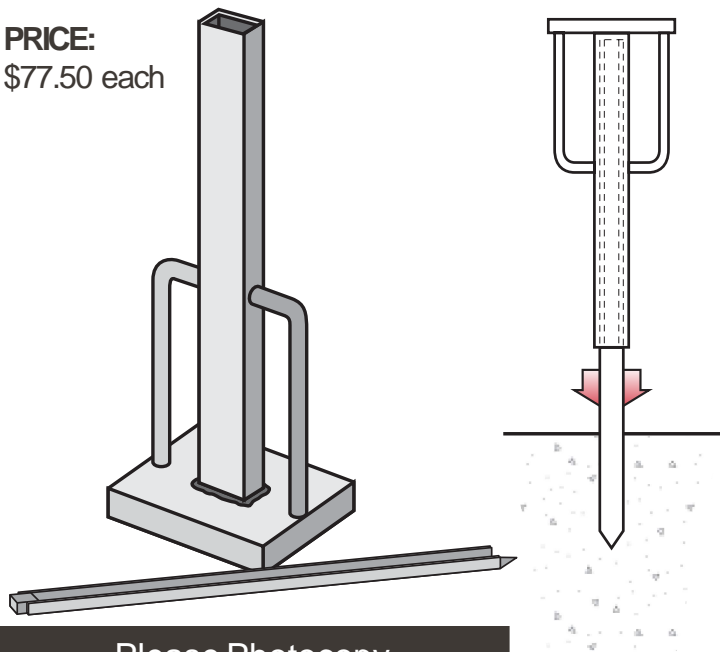
STAKE HAMMER

DESCRIPTION:

- For installing sign stakes
- Avoid flaring top of steel stakes
- Weight: 15 lbs.
- Powder coated

PRICE:

\$77.50 each



ITEM X8000

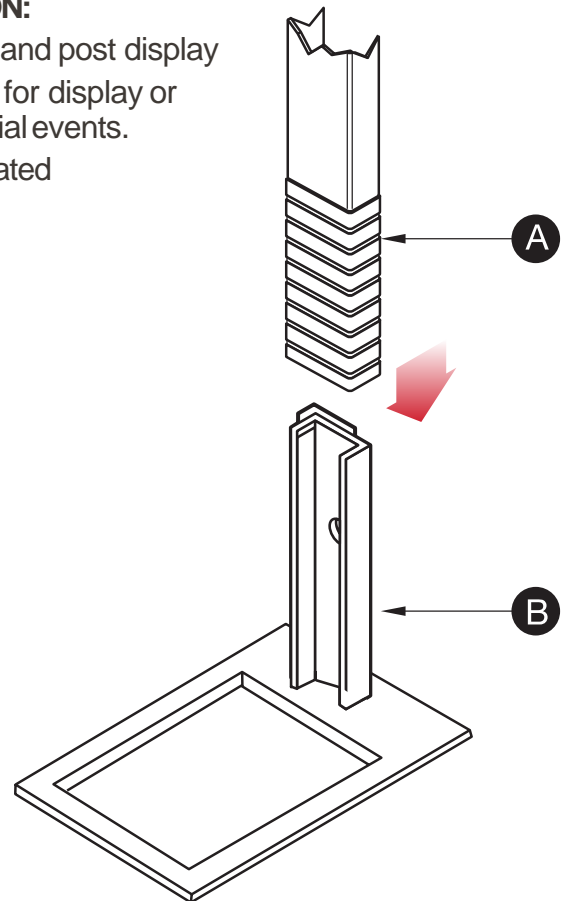
PORTABLE DISPLAY BASE

DESCRIPTION:

- Office sign and post display
- To be used for display or office special events.
- Powder coated

PRICE:

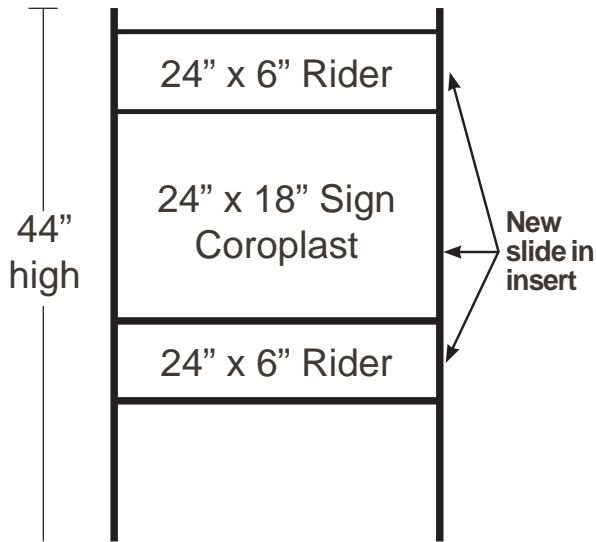
\$75.25 each



Please Photocopy
AND ATTACH TO ORDER FORM

ITEM X7080

NEW DESIGN



RESIDENTIAL STEELYARD FRAME

DESCRIPTION:

- NO INSTALLER NECESSARY
- QUICK AND EASY TO INSTALL
- Accomodates our 24" x 18" 4 mm Coroplast sign (Item X6005) and has special feature for holding sign riders 24" x 6"
- Black powder coat
- 3/4" Steel angle frame
- Does not include sign panels.

QUANTITY AND PRICE:

4 PER BOX

Qty: _____

4-20 = \$57.20 each frame

24-100 = \$53.90 each frame

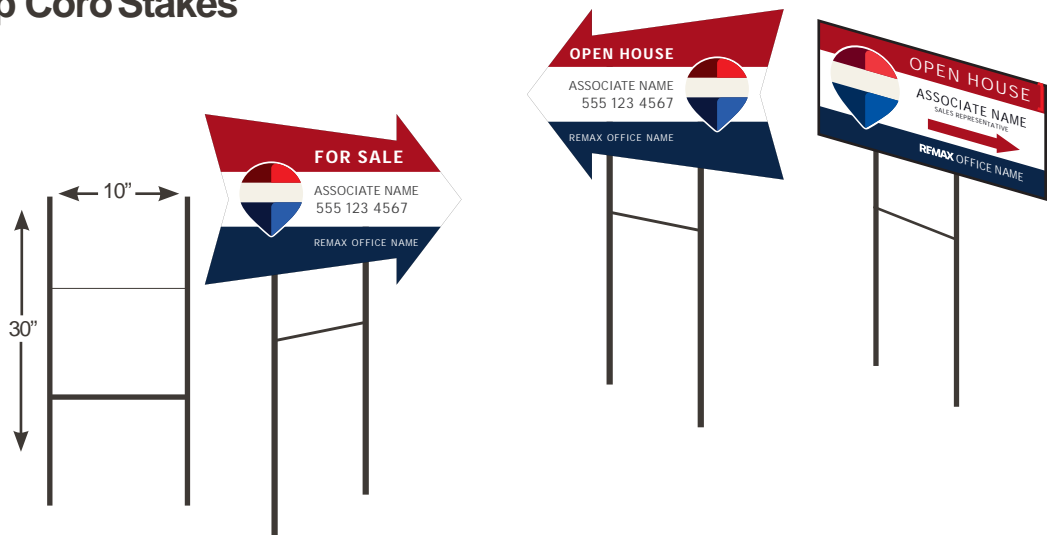
ITEM X8003

Quick-Up Coro Stakes

DESCRIPTION:

- 1/8" Galvanized Wire Stakes (12 wire stakes per box)

PRICE: \$ 63.00 each per box



Promotion Products

ITEM X8010

UMBRELLA

DESCRIPTION:

- 30" rib length, 60" arc
- 190T Polyester
- 14 mm black fiberglass shaft
- Fiberglass ribs and frame
- Manual open

PRICE: \$33.95 each

- Plastic tips and metal top
- Plastic hand grip with ID name card insert
- Velcro® tie closure
- Fiberglass ribs and frame for added strength and durability

**NEW!
LARGER AND IMPROVED!**



ITEM X8030

ULTRASONIC RANGE FINDER

DESCRIPTION:

- Realtors convenient distance measuring tool
- Automatic conversion between imperial & metric units with the push of a single button
- Measuring range 0.3 - 15 m or 1 foot - 50 feet

PRICE:

\$33.00 each



ITEM X8025

ZIPPERED LEGAL PORTFOLIO

DESCRIPTION:

- Koskin material
- Three-sided zipper closure
- Full-length outside zippered pocket
- Inside compartment for documents
- Accordion pocket for files
- Inside zippered pocket
- Logos in color

PRICE: \$41.35 each



ITEM X8015

BALLOONS

DESCRIPTION:

- White 12" balloons with RE/MAX logo printed 2 sides
- Helium quality pure latex



QUANTITY AND PRICE:

QTY	250	500	1000
PRICE	\$ 77.00	\$ 154.00	\$ 303.00

Please Photocopy
AND ATTACH TO ORDER FORM

Promotion Products

ITEM X8035

Model A



Model B



Model C



Feather flag

DESCRIPTION:

- Made with polyester material
- Double stuck pole pocket
- Fits poles up to 3/4
- Small: Height, 21' Widht: 77" **\$ 267.05 each**
- Medium: Height, 26' Widht104: " **\$ 346.50 each**
- Large: Height, 33' Widht: 135" **\$ 469.70 each**
- Weight: 4 lbs.

Specify:

MODEL A B C

Feather Flag Kit includes

- 1 Feather Flag
- 1 FeatherFlag with pole
- 1 Carring Bag
- Printed 1 side

Yard Sign Printing Specifications:

Company Name: **REMAX**

DBA _____

B) Agent Name: _____

C) Agent Phone Number: _____

EXTRA

ITEM X8036

Office Floor Base \$ 84.00 each



ITEM X8037

Ground Stake \$ 42.00 each



Please Photocopy
AND ATTACH TO ORDER FORM



FOR SALE



ASSOCIATE
NAME, QP
555.123.4567
REMAX OFFICE NAME
555.123.4567

SOLD



FOR SALE

ASSOCIATE NAME
555.123.4567
ASSOCIATE@EMAILADDRESS.COM

REMAX OFFICE NAME
555.123.4567



1699 Station Road, Mascouche, QC J7L 2J6

T. 450 477-2828 | F. 450 477-6819 | HcsSigns@icloud.com