

HOME COLONIAL SIGNPOST

DIVISION OF ROBWOOD INC



WE SHIP ACROSS CANADA



FOR CATALOGUE UPDATES AND SALE'S PROMOTIONS, PLEASE REFER TO
HomeColonialSignpost.com



How to install 3

Imagemaker sign post 4

Residential Yard Signs 60” Post System5-6-7-8

Residential 36” Yard Signs9

Name Riders Personalize your Rider with a photo..... 10-11

Complete Steel Frame Kit Special 12

Commercial Signs 13-14-15-16

Global Luxury Yard Signs 17

Sign Post kit 18-19

Sign Riders..... 20

Sign Stickers 21

Open House Signs.....22-23

Directional Sign24-25-26

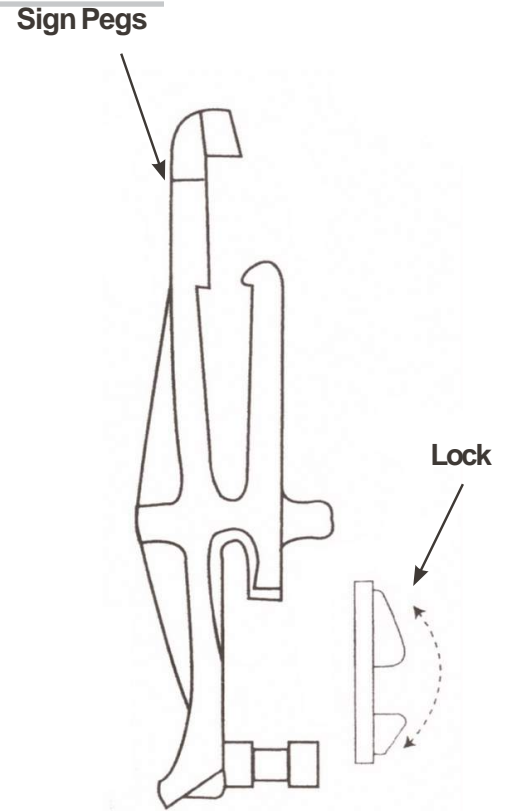
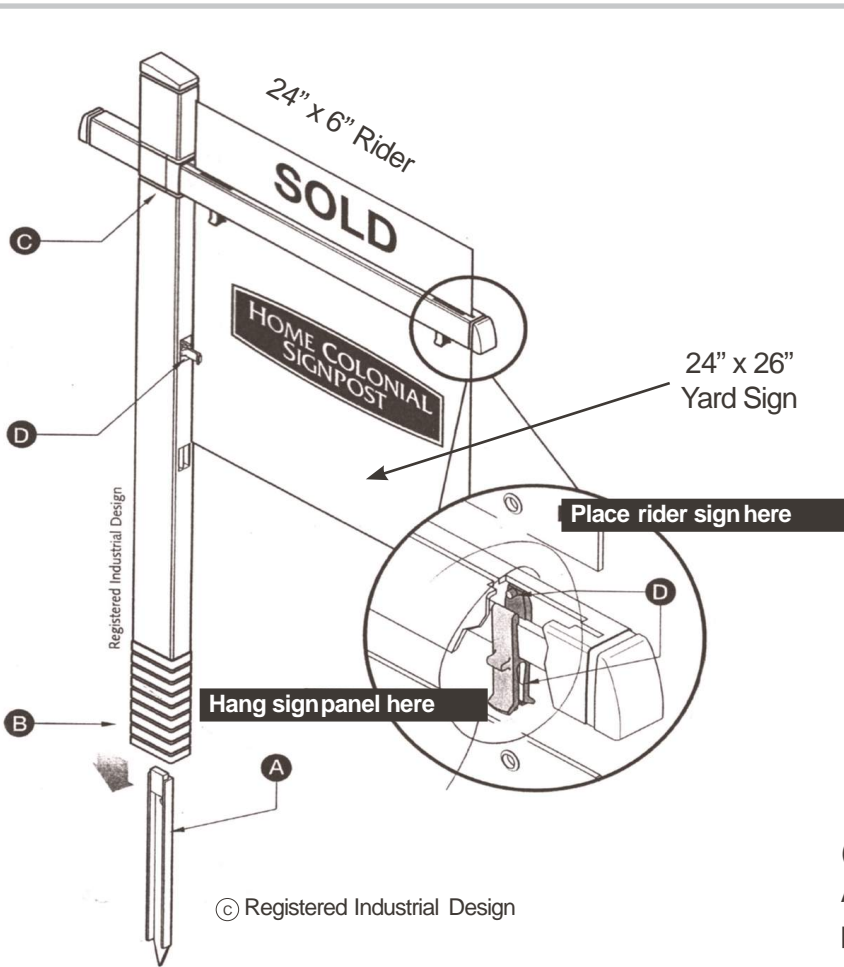
Wire Stakes Directional Signs27

Sign Accessories28-29-30

Personal31-32-33

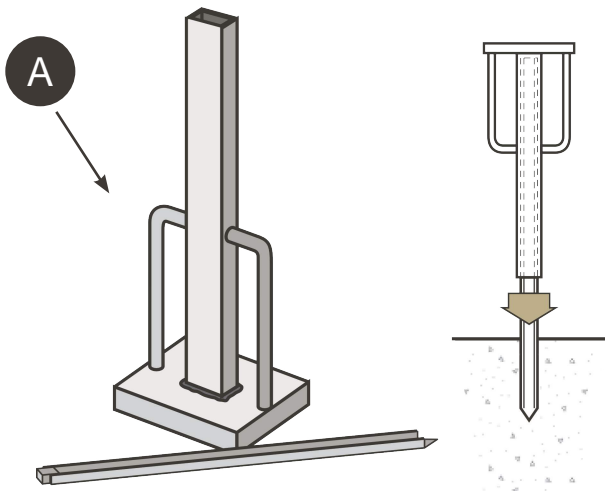
Order Form 34

The Imagemaker Sign Post



(For hanging main sign panel beneath crossarm, And, for attaching side of main sign panel to upright post to prevent swinging) ®

QUICK'N EASY



- A** Pound stake into soil using a stake hammer (stop at the yellow line):
- B** Slide upright portion of post onto top of stake;
- C** Slide crossarm portion into upright until snap;
- D** Insert sign pegs in post and hang sign panel;
- E** Slide message rider sign into slot of crossarm;

« Snap Assembly » Sign Post System

Main Post 60", CrossArm 36"

ITEMC2005P

Model A



White Post

Model B



Black Post

Includes sign post assembly & ground stake.

QTY:3 Per Box Model A = \$100.30 each post
 Model B = \$106.95 each post

Available in boxes of 3 only

Quick'n easy to install:

- A) Pound stake into ground with stakehammer
Item #7095, page 28
- B) Slide upright portion of post onto top of stake;
- C) Slide crossarm portion into upright until it snaps;
- D) Insert sign pegs in post until they clip, hang sign panel,
and then slide rider sign into slot of crossarm.

2 PRODUCT WARRANTY YEARS!*

*Your Imagemaker Signpost warranty covers all defects in materials and workmanship.

The following are not covered by the warranty:

- 1- Units on which the manufacture date has been Defaced, modified or removed.
- 2-Damage or deterioration resulting from:
 - A- Installation or removal of the signpost
 - B- Accident, misuse, abuse, neglect, unauthorized product modification.
 - C- Installation of parts or accessories that do not conform to the quality or specification of the original sign post or accessories

Yard Signs 60" Sign Post System

ITEMC6005

Model A



Model B



**24" x 18"
CORRUGATED PLASTIC SIGN PANEL**

DESCRIPTION:

- 4 mm coroplast sign panel
- Imprinted with DBA, phone number and website
- Standard 5 grommet hole pattern
- Choose from two color schemes

SPECIFICATIONS:

Model A B

5 grommets No grommets to fit steel frames

QUANTITY AND PRICE:

6 = \$ 26.50 / ea.

12 = \$ 25.20 / ea.

24 = \$ 23.80 / ea.

PRINTED 1 SIDE ONLY

6 = \$ 23.95 / ea.

12 = \$ 22.70 / ea.

24 = \$ 21.45 / ea.

Company Name: **Coldwell Banker**

DBA _____

B) Agent Phone Number : _____

C) Agent Website or Email: _____

Logos

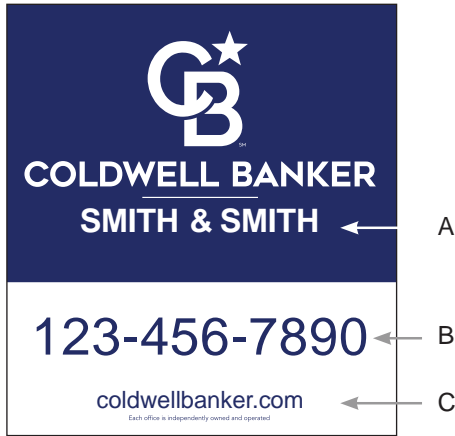


Yard Signs 60" Sign Post System

ITEMC6010

24" x 26" YARD SIGN WITH ASSOCIATE IDENTIFIER

Model A



DESCRIPTION:

- Printed 2 sides
- 4 mm coroplast office identification sign
- Imprinted with DBA, website, phone number and agent identifier

SPECIFICATIONS:

- Model A B C D
- 3 grommets No grommets

QUANTITY AND PRICE:

- 6 = \$ 35.00 / ea.
- 12 = \$ 33.60 / ea.
- 25 = \$ 32.20 / ea.

Model B



Company Name: **Coldwell Banker**

DBA _____

B) Website : _____

C) Office phone Number: _____

D) Agent Name: _____

E) Title: _____

Logos



Model C



Model D



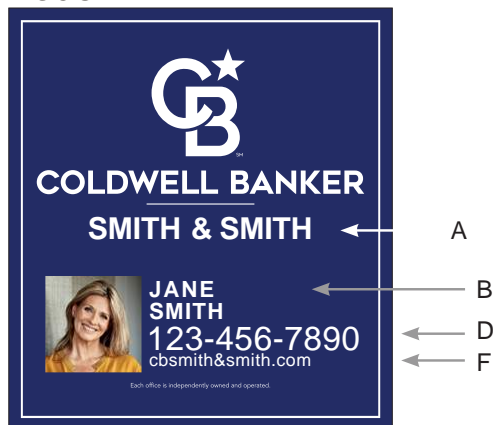
ITEMC6015

Yard Signs 60" Sign Post System

Model A



Model B



Model C



24" x 26"

YARD SIGN WITH ASSOCIATE IDENTIFIER & AGENT PHOTO

DESCRIPTION:

- Printed 2 sides
- 4 mm coroplast office identification sign
- Imprinted with DBA, website, phone number and Agent identifier
- 3 grommets (2 on top and 1 on left side of sign)

SPECIFICATIONS:

Model A B C D

- 3 grommets No grommets
- Photo on file* Sending photo by email*

QUANTITY AND PRICE:

- 6 = \$ 35.00 / ea.
- 12 = \$ 33.60 / ea.
- 24 = \$ 32.20 / ea.

Company Name: **Coldwell Banker**

DBA _____

B) Website : _____

C) Office phone Number: _____

D) Agent Name: _____

E) Title: _____

F) Agent Phone Number: _____

G) Agent Website or Email: _____

Logos



Model D



* Note: For quality purpose, agent photos should be taken at the highest possible resolution, but no less than 5" x 5.5" at 300 dpi (dots per inch). Shoot photos in color.

**Please Photocopy
AND ATTACH TO ORDER FORM**

Yard Signs 60" Sign Post System

ITEMC6035

Model A



Model B



36" x 32" Yard Sign With Associate Identifier with agent photo

DESCRIPTION:

- Printed 2 sides
- Imprinted with DBA, website and phone number
- 4 mm coroplast office & agent identification sign
- 3 grommets (2 on top and 2 on left side)

Model A B

3 grommets No grommets

Photo on file* Sending photo by email*

3 = \$ 63.00 / ea.

6 = \$ 60.20 / ea.

9 = \$ 57.40 / ea.

12 = \$ 54.60 / ea.

Company Name: **Coldwell Banker**

A) DBA _____

B) Website: _____

C) Office Phone Number: _____

D) Agent Name: _____

E) Title: _____

F) Agent Phone Number: _____

G) Agent Website or Email: _____

Logos



36" Yard Signs

ITEMC6040

Model A



Model B



36" x 24" Yard Sign With Associate Identifier

DESCRIPTION:

- Printed 2 sides
- Imprinted with DBA, website and phone number
- 4 mm coroplast office & agent identification sign
- 5 grommets (2 on top, 1 left and 2 on left side)

Model A B

5 grommets No grommets

QUANTITY AND PRICE:

- 5 = \$ 54.60 / ea.
- 10 = \$ 53.20 / ea.
- 15 = \$ 51.80 / ea.
- 20 = \$ 50.40 / ea.

Company Name: **Coldwell Banker**

A) DBA: _____

B) Website: _____

C) Office Phone Number: _____

Logos



**Please Photocopy
AND ATTACH TO ORDER FORM**

Personalize Your Rider With a Photo

ITEMC6045

Model A



Model B



Model C



Model D



36" x 8" Agent Name Rider Die-Cut

Description:

- Printed 2 sides
- 4 mm coroplast office identification sign

Model A B (With photo 6" x 6")

6 = \$ 24.05 / ea.

12 = \$ 22.65 / ea.

24 = \$ 21.25 / ea.

2 grommets:

Top Bottom

A) Agent Name: _____

A) Title: _____

C) Agent Phone Number: _____

A) Website: _____

Model C C

6 = \$ 25.00 / ea.

12 = \$ 23.60 / ea.

24 = \$ 22.20 / ea.

2 grommets:

Top Bottom

A) Agent Name: _____

A) Title: _____

C) Agent Phone Number: _____

A) Website: _____

* Note: For quality purpose, agent photos should be taken at the highest possible resolution, but no less than 5.5" x 5.5" at 300 dpi (dots per inch). Shoot photos in color.

Personalize Your Rider With a Photo

ITEMC6085

Model A



Model B



Note: For quality purpose, agent photos should be taken at the highest possible resolution, but no less than 5" x 5.5" at 300 dpi (dots per inch).
Shoot photos in color.

24" x 8 - Agent Name Riders

Description:

- Printed 2 sides
- 4 mm coroplast agent identification sign

Model A B (With photo 5.5" x 5.5")

6 = \$ 15.70 / ea.

12 = \$ 15.05 / ea.

24 = \$ 14.30 / ea.

2 grommets:

Top or Bottom

Sign Printing specifications:

A) Agent Name: _____

B) Title: _____

C) Agent Phone Number: _____

D) Agent Website or Email: _____

Photo on file Sending photo by email

Model A



Model B



Model C



Model D



24" x 6 - Agent Name Riders

Description:

- Printed 2 sides
- 4 mm coroplast agent identification sign

Model A B C D (No Photo)

6 = \$ 14.25 / ea.

12 = \$ 13.55 / ea.

24 = \$ 12.85 / ea.

2 grommets:

Top Bottom

Please Photocopy

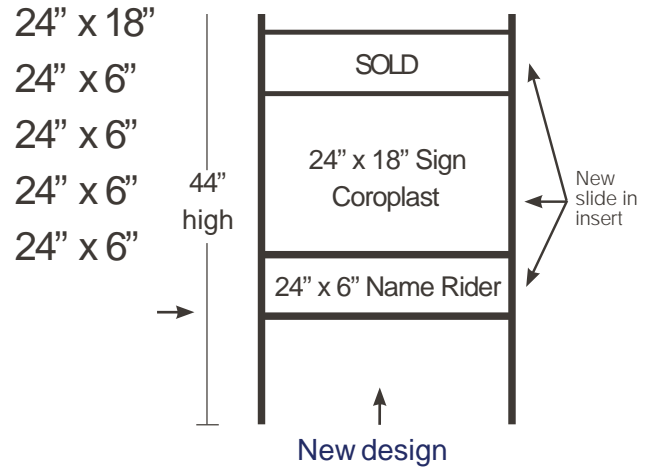
AND ATTACH TO ORDER FORM

Complete Steel Frame Kit

ITEMC6075

- (ITEM 6075)** A) 8 STEEL FRAMES (2 boxes)
- (ITEM 6005)** B) 8 YARD SIGNS
- (ITEM 6085)** C) 8 NAME RIDERS
- (ITEM 6090)** D) 4 "NEW PRICE"
- (ITEM 6090)** E) 4 "OPEN SUNDAY 2 TO 4"
- (ITEM 6090)** F) 4 "SOLD"

SPECIAL



Choose from two color schemes!

Model A



Model B



Model A B C

A) Company Name: **Coldwell Banker**

DBA _____

B) Office Phone number: _____

NAME RIDER

C) Agent Name: _____

D) Title: _____

E) Agent Phone Number: _____

A value of \$ 950.00
for only **\$ 890.00**

Commercial Signs

ITEMC6070

Model A



Sample Message

Model B



Sample Message

60" x 48" Extra Large Yard Sign

LARGE, PRINTED ONE SIDED COROPLAST SIGN IDEAL FOR INDUSTRIAL, COMMERCIAL BUILDINGS, OPEN LOTS AND ACREAGE.

Ready to install on buildings, etc. Coroplast signs are inexpensive to ship and easy to install.

Signs should be supported with wooden frame (1" x 3" furring).

DESCRIPTION:

- Printed 1 side only
- 6 mm coroplast office identification sign.

SPECIFICATIONS:

Model A B

QUANTITY AND PRICE:

- 1 = \$ 196.00 / ea.
- 2 = \$ 189.00 / ea.
- 6 = \$ 175.00 / ea.

YARD SIGN PRINTING SPECIFICATIONS:

Company Name: **Coldwell Banker**

A) DBA _____

B) Website: _____

C) Office Phone Number: _____

D) Agent name: _____

E) Title: _____

F) Agent Phone Number: _____

G) Agent Website or Email: _____

H) Slogan or Message: _____

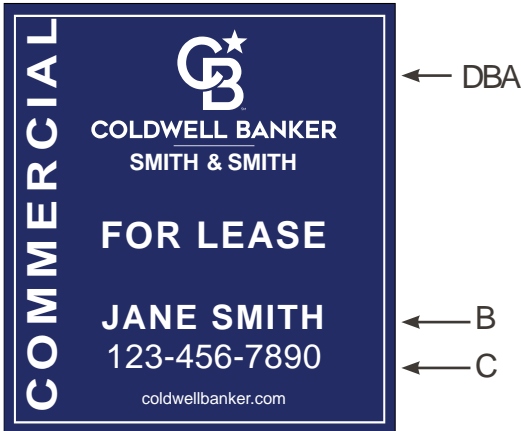
**Please Photocopy
AND ATTACH TO ORDER FORM**

Yard Signs 60" Sign Post System

ITEMC6060

24" x 26" - Commercial Yard Sign With Associate Identifier

Model A



DESCRIPTION:

- Printed 2 sides
- 4 mm coroplast office identification sign
- Imprinted with DBA and phone number

Model A B

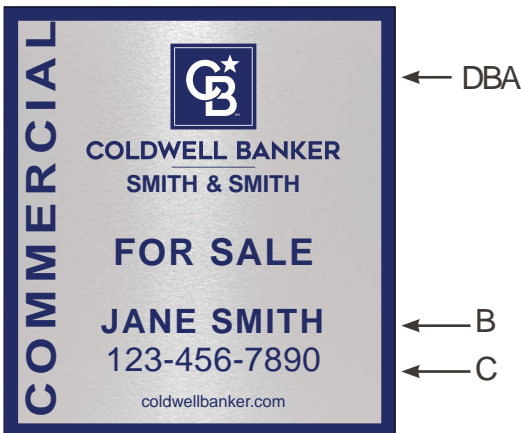
3 = \$ 43.75 each

6 = \$ 35.00 each

12 = \$ 33.60 each

3 grommets or no grommets

Model B



Yard Sign Printing Specifications:

A) Company Name: **Coldwell Banker**

DBA _____

B) Agent Name: _____

C) Agent Phone Number: _____

Model A



24" x 8" - Message Riders

Description:

Model A

2 grommets: Top or Bottom

3 = \$ 17.85 each

6 = \$ 14.25 each

12 = \$ 13.65 each

Your Sign Message: _____

Please Photocopy
AND ATTACH TO ORDER FORM

Commercial Signs

ITEMC6065

Model A



← DBA
← B
← C

48" x 48" - Large Yard Sign

LARGE, PRINTED ON ONE SIDE COROPLAST SIGN IDEAL FOR INDUSTRIAL, COMMERCIAL BUILDINGS, OPEN LOTS AND ACREAGE.

Ready to install on buildings, etc. Coroplast signs are inexpensive to ship and easy to install. Signs should be supported with wooden frame (1" x 3" furring).

DESCRIPTION:

- Printed 1 side only
- 6 mm coroplast office identification sign

48" x 48" - with upper message

Model A B

- 1 = \$ 182.00 each
- 2 = \$ 175.00 each
- 6 = \$ 168.00 each

Model B



← DBA
← B
← C

Your Sign Message: _____

A) Company Name: **Coldwell Banker**

DBA _____

B) Agent Name: _____

C) Agent Phone Number: _____

**Please Photocopy
AND ATTACH TO ORDER FORM**

Commercial Signs

ITEMC6072

Model A



Model B



60" x 48" Extra Large Yard Sign

LARGE, ONE SIDED COROPLAST SIGN IDEAL FOR INDUSTRIAL, COMMERCIAL BUILDINGS, OPEN LOTS, ACREAGE.

Ready to install on buildings, etc. Coroplast signs are inexpensive to ship and easy to install.

Signs should be supported with wooden frame (1" x 3" furring).

DESCRIPTION:

- Printed one sided
- 6 mm coroplast office identification sign.

Model A B

- 1 = \$ 196.00 each
- 2 = \$ 189.00 each
- 6 = \$ 175.00 each

YARD SIGN PRINTING SPECIFICATIONS:

A) Company Name: **Coldwell Banker**

DBA _____

D) Agent name: _____

F) Agent Phone Number: _____

G) Agent Website or Email: _____

Your Sign Message: _____

Please Photocopy AND ATTACH TO ORDER FORM

Main Post 60", CrossArm 36"

ITEMC6050

Model A



24" x 30" Global Luxury Yard Sign

DESCRIPTION:

- 4 mm coroplast office identification sign
- Imprinted with DBA, website, phone number

SPECIFICATIONS:

- 4 grommets no grommets

QUANTITY AND PRICE: PRINTED 2 SIDES

- 3 = \$ 43.75 / ea.
 6 = \$ 37.80 / ea.
 12 = \$ 36.40 / ea.
 24 = \$ 35.00 / ea.

Riders 24" x 8

Die-Cut

- 3 = \$ 24.90 each



ITEMC6055



SPECIAL

COMPLETE Global Luxury SIGN POST KIT

DESCRIPTION:

- A) 3 IMAGE MAKER 60" BLACK SIGN POSTS (1 box) complete with ground stakes & 3 extra pegs
- B) 3 Yard signs (24" x 32")
- C) 3 Personalized riders with photo



Forward photo in 300 DPI by e-mail to : HcsSigns@icloud.com

- Photo on file Sending photo by email

Logos



Company Name: **Coldwell Banker**

- A) DBA _____
- B) Agent name: _____
- C) Agent Phone Number: _____
- D) Agent Website or Email: _____

**Please Photocopy
AND ATTACH TO ORDER FORM**

60" Sign post system

ITEMC9000A

SPECIAL

COMPLETE SIGN POST KIT WITH PICTURE

Model A

DESCRIPTION:

- A) 6 IMAGE MAKER 60" SIGN POSTS (2 boxes) complete with ground stakes & pegs
- B) 6 Yard signs (24" x 26") with associated identifier
- C) 12 Message riders (24" x 6")
 - 3 "NEW PRICE"
 - 3 "Open Sunday 2 to 4"
 - 3 "JUST LISTED"
 - 3 "SOLD"

Photo on file* Sending photo by email*

Logos



CompanyName: **Coldwell Banker**

- A) DBA _____
- B) Agent name: _____
- C) Title: _____
- D) Agent Phone Number: _____
- E) Agent Email: _____
- F) Agent Website: _____

* Note: For quality purpose, agent photos should be taken at the highest possible resolution, but no less than 5.5" x 5.5" at 300 dpi (dots per inch). Color photos can be used.

Please E-mail photo to: HcsSigns@icloud.com



A value of \$ 975.00
for only **\$ 905.00**

Please Photocopy
AND ATTACH TO ORDER FORM

60" Sign post system

SPECIAL

ITEMC9000B

COMPLETE SIGN POST KIT WITH PICTURE

Model B

DESCRIPTION:

A) 6 IMAGE MAKER 60" SIGN POSTS (2 boxes)

complete with ground stakes & pegs

B) 6 Yard signs (24" x 26") with associated identifier

C) 12 Message riders (24" x 6")

- 3 "NEW PRICE"
- 3 "Open Sunday 2 to 4"
- 3 "JUST LISTED"
- 3 "SOLD"

Photo on file* Sending photo by email*

Logos



Company Name: **Coldwell Banker**

A) DBA _____

B) Agent name: _____

C) Title: _____

D) Agent Phone Number: _____

E) Agent Email: _____

F) Agent Website: _____

* Note: For quality purpose, agent photos should be taken at the highest possible resolution, but no less than 5.5" x 5.5" at 300 dpi (dots per inch). Color photos can be used.

Please E-mail photo to: HcsSigns@icloud.com



A value of \$ 1030.00
for only **\$ 955.00**

Please Photocopy
AND ATTACH TO ORDER FORM

ITEMC6090

Special Features And Activities / DESCRIPTION:

Printed 2 sides on 4 mm coroplast sign riders (white coroplast can be translucent in very bright areas)

FOR SALE

OPEN HOUSE

SOLD

OPEN HOUSE

Model:

A

B

C

D

24" x 6"	24" x 8"	36" x 6"	36" x 8"
<input type="checkbox"/> 6 = \$ 13.30 each	<input type="checkbox"/> 6 = \$ 14.25 each	<input type="checkbox"/> 6 = \$ 23.10 each	<input type="checkbox"/> 6 = \$ 23.10 each
<input type="checkbox"/> 12 = \$ 12.60 each	<input type="checkbox"/> 12 = \$ 13.55 each	<input type="checkbox"/> 12 = \$ 21.70 each	<input type="checkbox"/> 12 = \$ 21.70 each
<input type="checkbox"/> 24 = \$ 11.90 each	<input type="checkbox"/> 24 = \$ 12.85 each	<input type="checkbox"/> 24 = \$ 20.30 each	<input type="checkbox"/> 24 = \$ 20.30 each
<input type="checkbox"/> 50 = \$ 11.60 each	<input type="checkbox"/> 50 = \$ 12.55 each	<input type="checkbox"/> 50 = \$ 19.70 each	<input type="checkbox"/> 50 = \$ 19.70 each
<input type="checkbox"/> 100 = \$ 11.35 each	<input type="checkbox"/> 100 = \$ 12.30 each	<input type="checkbox"/> 100 = \$ 19.25 each	<input type="checkbox"/> 100 = \$ 19.25 each

Grommets: Top Bottom Center for steel frames None

NOTE: Minimum of 6 signs, no mixing

Sign #'s: _____ Quantity: _____

Ajouts en Français

Description: _____

7 0 0 COMMERCIAL	7 1 2 OPEN →	7 2 3 OPEN HOUSE	7 3 8 OPEN SUNDAY 2-4	7 5 1 MUST SEE INSIDE!
7 0 1 OFFICE	7 1 3 AUCTION	7 2 4 FOR LEASE	7 4 0 MODEL OPEN →	7 5 2 NEW PRICE!
7 0 2 3 BEDROOM	7 1 4 →	7 2 7 LOT	7 4 1 FARM	7 5 3 OPEN SUNDAY 1-3
7 0 5 LAKEFRONT	7 1 5 OPEN SUNDAY 1-4	7 2 8 SALE PENDING	7 4 2 OPEN SATURDAY	7 5 4 OPEN SAT. ___ TO ___
7 0 6 SWIMMING POOL	7 1 6 FOR SALE	7 2 9 RENTALS	7 4 3 OPEN SUNDAY	7 5 6 LAKE RIGHTS
7 0 7 BY APPT. ONLY	7 1 7 OWNER FINANCE	7 3 0 WATERFRONT	7 4 4 SOLD <small>BUT WE HAVE OTHERS</small>	7 5 7 LOT # _____
7 0 8 SOLD	7 1 8 EXCLUSIVE	7 3 1 INCOME PROPERTY	7 4 5 ACREAGE	7 5 8 NEW LISTING
7 0 9 2 FAMILY	7 1 9 LOTS	7 3 2 OPEN HOUSE →	7 4 8 DUPLEX	7 5 9 IN CONTRACT
7 1 0 4 BEDROOM	7 2 0 PRICE REDUCED	7 3 3 FOR RENT	7 4 9 HOME FOR SALE →	7 6 0 MULTI-FAMILY
7 1 1 ____ ACRES	7 2 2 AVAILABLE	7 3 5 BUILT TO SUIT	7 5 0 HOME WARRANTY	7 6 1 CONDO

ITEM C6095

CUSTOM VINYL GRAPHIC STICKERS

- Blacksticker, white lettering Size of Sticker: _____
- White sticker, black lettering
- Transparent sticker, white or black lettering

Message print: _____

ITEM C7000

WHITE OR BLACK STICKERS WITH BLACK OR WHITE LETTERING

SIZE	QUANTITY			
<input type="checkbox"/> 15" X 3"	15 \$4.85 each	25 \$3.65 each	50 \$3.25 each	100 \$2.20 each
<input type="checkbox"/> 21" X 3"	\$5.45 each	\$4.15 each	\$3.75 each	\$3.15 each

Message print: _____

ITEM C7005

TRANSPARENT STICKERS WITH WHITE OR BLACK

SIZE	QUANTITY			
<input type="checkbox"/> 15" X 4'	15 \$5.65 each	25 \$4.15 each	50 \$3.65 each	100 \$3.40 each

Message print: _____

ITEM C7010

EXTRA LARGE PERSONALIZED STICKERS

SIZE	QUANTITY	
<input type="checkbox"/> 24" X 7.5"	15 \$10.70 each	25 \$8.50 each

Message print: _____

**Please Photocopy
AND ATTACH TO ORDER FORM**

ITEMC7015A

Model A



24" x 18" Open House Signs

DESCRIPTION:

- Printed 1 side only
 - 4 mm coroplast sign
- Minimum order = 12

SPECIFICATIONS:

MODEL A

Writing in blue arrow:

FOR SALE → QTY: _____ ← QTY: _____

OPEN HOUSE → QTY: _____ ← QTY: _____

12 = \$ 22.70 / ea.

24 = \$ 21.45 / ea.

50 = \$ 20.20 / ea.

Yard Sign Printing Specifications:

Company Name: **Coldwell Banker**

A) DBA _____

B) Agent name: _____

C) Title: _____

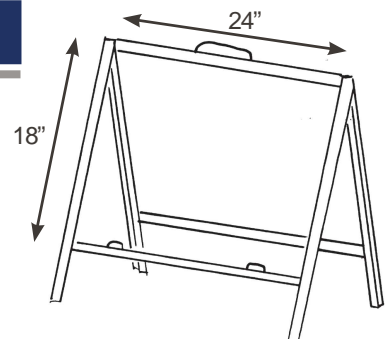
D) Agent Phone Number: _____

E) Agent website or Email: _____

These signs work well with this A-Frame.

ITEMC7070

page 29



ITEMC7015B

Model B



24" x 18" Open House Signs

DESCRIPTION:

- Printed 1 side only
 - 4 mm coroplast sign
- Minimum order = 12

SPECIFICATIONS:

MODEL B

Writing in blue arrow:

- FOR SALE → QTY: _____ ← QTY: _____
- OPEN HOUSE → QTY: _____ ← QTY: _____
- 12 = \$ 22.70 / ea.
- 24 = \$ 21.45 / ea.
- 50 = \$ 20.20 / ea.

Yard Sign Printing Specifications:

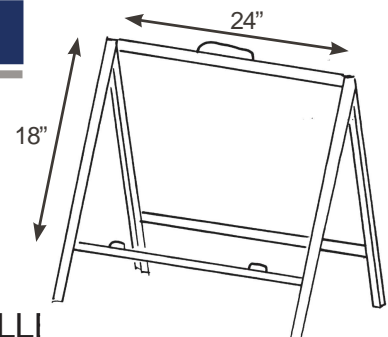
Company Name: **Coldwell Banker**

- A) DBA _____
- B) Agent name: _____
- C) Title: _____
- D) Agent Phone Number: _____
- E) Agent website or Email: _____

These signs work well with this A-Frame.

ITEMC7070

page 29

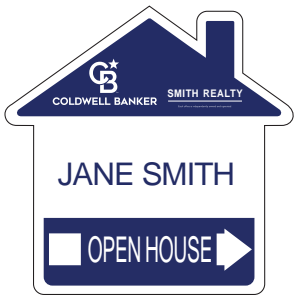
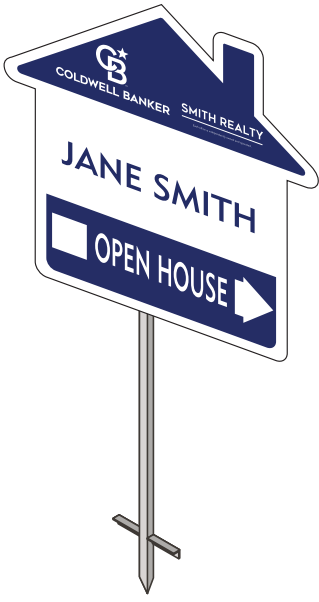


COLDWELLI

23

Please Photocopy
AND ATTACH TO ORDER FORM

ITEMC7051



Little House Die-Cut Sign 18" X 18" Directional sign with step stake

DESCRIPTION:

- 2 X 4 mm coroplast signs glued back to back
- Printed 1 side only
- Includes step stake, nuts and bolts
- Weight: 4.75 pounds each

SPECIFICATIONS:

FOR SALE • QTY: _____ OPEN HOUSE • QTY: _____

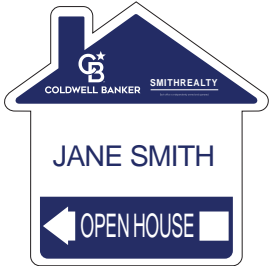
QUANTITY AND PRICE: (NO MIXING)

- 10 = \$ 62.60 / ea. (2 boxes)
- 15 = \$ 60.10 / ea. (3 boxes)
- 25 = \$ 57.50 / ea. (5 boxes)

Company Name: **Coldwell Banker**

A) DBA _____
 B) Agent name: _____
 C) Title: _____
 D) Agent Phone Number: _____

ITEMC7052



Single Sided Little House Directional Signs

DESCRIPTION:

- 4 mm coroplast sign
- Printed 1 side only

SPECIFICATIONS:

FOR SALE → QTY: _____ ← QTY: _____
 OPEN HOUSE → QTY: _____ ← QTY: _____

QUANTITY AND PRICE: (NO MIXING)

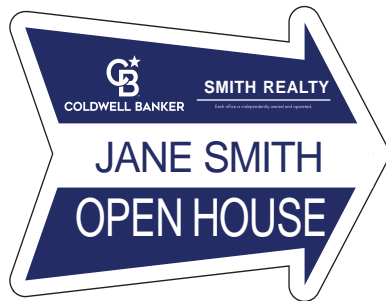
- 20 = \$ 22.95 / ea. *Minimum order 10 per direction*

Company Name: **Coldwell Banker**

A) DBA _____
 B) Agent name: _____
 C) Title: _____
 D) Agent Phone Number: _____

**Please Photocopy
AND ATTACH TO ORDER FORM**

ITEMC7045



24" X 18" Arrow Die-Cut Sign
Directional sign with step stake

DESCRIPTION:

- 2 X 4 mm coroplast signs glued back to back
- Printed 1 side only
- Includes step stake, nuts and bolts
- Weight: 4.75 pounds each

SPECIFICATIONS:

FOR SALE • QTY: _____ OPEN HOUSE • QTY: _____

QUANTITY AND PRICE: NO MIXING

- 10 = \$ 65.10 / ea. (2 boxes)
- 15 = \$ 62.60 / ea. (3 boxes)
- 25 = \$ 60.10 / ea. (5 boxes)

Company Name: **Coldwell Banker**

A) DBA _____

B) Agent name: _____

C) Title: _____

D) Agent Phone Number: _____

E) Website or Email: _____

ITEMC7050



Single Sided Arrow Directional Signs

DESCRIPTION:

- 4 mm coroplast sign
- Printed 1 side only

SPECIFICATIONS:

FOR SALE → QTY: _____ ← QTY: _____
 OPEN HOUSE → QTY: _____ ← QTY: _____

QUANTITY AND PRICE:

NOMIXING- Minimum order 10 per direction

- 20 = \$ 24.20 each
- 50 = \$ 21.70 each

Company Name: **Coldwell Banker**

A) DBA _____

B) Agent name: _____

**Please Photocopy
AND ATTACH TO ORDER FORM**

ITEMC7025



Model A



Model B



Model C



Model D



24" x 8"

Directional Sign With Step Stake

DESCRIPTION:

- 2 X 4 mm coroplast signs glued back to back
- Printed 1 side only
- Includes step stake, nuts and bolts
- Weight: 3.75 lbs each

SPECIFICATION:

MODEL A B C D

FOR SALE • QTY: _____ OPEN HOUSE • QTY: _____

10 = \$ 44.20 / ea. (2 boxes)

15 = \$ 41.40 / ea. (3 boxes)

25 = \$ 39.60 / ea. (5 boxes)

Company Name: **Coldwell Banker**

A) DBA _____

ITEM C7030

Model A



Model B



Model C



Model D



24" x 8"

Directional Sign

DESCRIPTION:

- 4 mm coroplast
- Printed 1 side only

SPECIFICATION: MINIMUM 10 EACH DIRECTION, NO MIXING

MODEL A B C D

Printed 2 sides

10 = \$ 15.30 / ea.

15 = \$ 13.95 / ea.

25 = \$ 13.25 / ea.

Printed 1 side

20 = \$ 12.60 / ea.

30 = \$ 11.95 / ea.

50 = \$ 11.45 / ea.

FOR SALE → QTY: _____ ← QTY: _____

OPEN HOUSE → QTY: _____ ← QTY: _____

Company Name: **Coldwell Banker**

A) DBA _____

Please Photocopy
AND ATTACH TO ORDER FORM

ITEMC7055

Model A



Model B



Model C



Model D



24" X 12" Directional Sign With Wire Stakes

DESCRIPTION:

- Printed 2 sides
- With 30" galvanized wire stakes
- Use these lightweight, moisture proof, 4 mm corrugated plastic signs where cost is a factor. They will fit our H-Frame Wire Stakes (sold separately. Signs are available with vertical flutes only and are printed on both sides. Personalized at no extra charge
- Weight: 4.75 pounds each

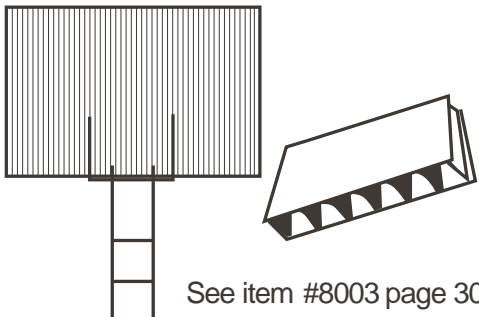
YARD SIGN PRINTING SPECIFICATIONS:

- A) Company Name: **Coldwell Banker**
- B) DBA _____
- C) Title: _____
- D) Agent name: _____
- E) Agent Phone Number: _____
- Specify: OPENHOUSE or FOR SALE

- MODEL A B C D
- 12 Directional signs & stakes = \$ 25.55 / ea. (1 box)
- 24 Directional signs & stakes = \$ 24.15 / ea. (2 boxes)
- 48 Directional signs & stakes = \$ 22.75 / ea. (4 boxes)

Galvanized Wire Stake

- 10" X 30" galvanised stake
- 1/8" Wire construction
- For use with 4mm Corrugated sign panels
- Affordable and easy to use



See item #8003 page 30

**Please Photocopy
AND ATTACH TO ORDER FORM**

ITEMC7085

Extra Yard Sign Ground Stakes

DESCRIPTION:

- Powder coated
- Available only in a packages of 3 ground stakes

PRICE:\$ 48.00 per package



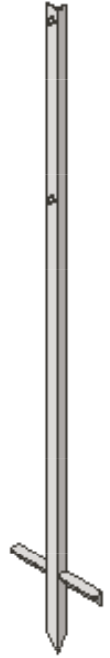
ITEMC7090

Step Stakes

DESCRIPTION:

- Step Stake 48"
- Weight: 2.75 lbs each
- 5 per box (minimum order of 5)
- Includes nylon nuts, bolts and washers
- Powder coated

PRICE:\$ 83.50 per box



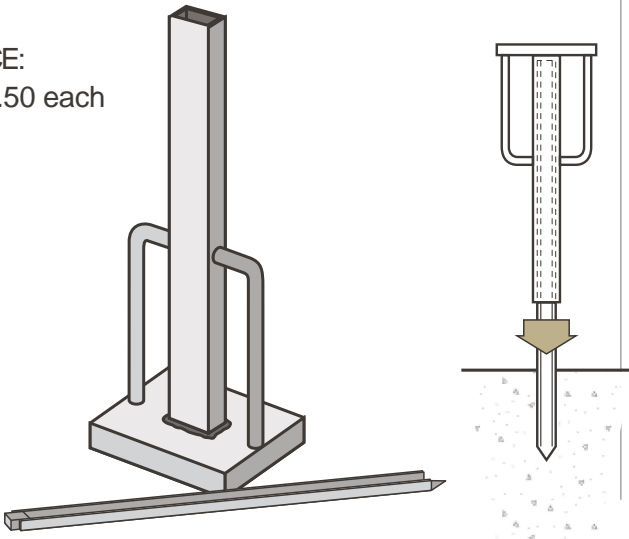
ITEMC7095

Stake Hammer

DESCRIPTION:

- For installing sign stakes
- Avoid flaring top of steel stakes
- Weight: 15 lbs.
- Powder coated

PRICE:
\$ 77.50 each



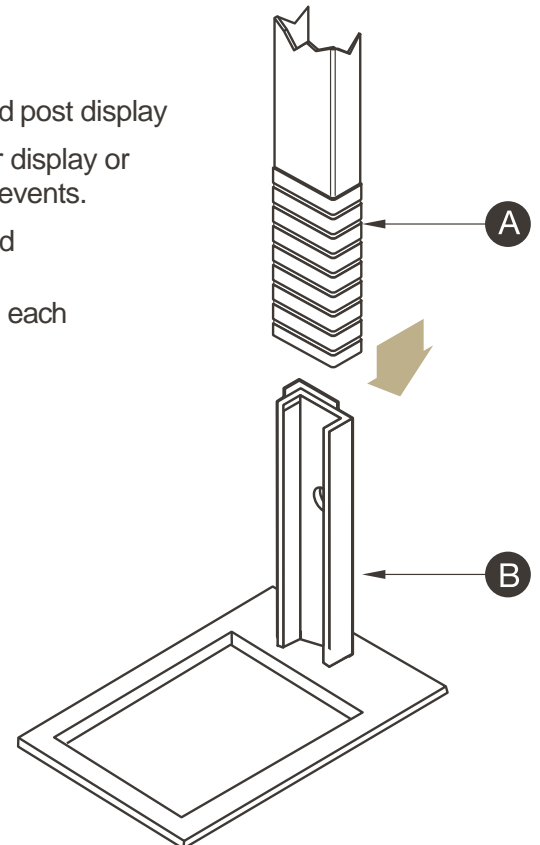
ITEMC8000

Portable Display Base

DESCRIPTION:

- Office sign and post display
- To be used for display or office special events.
- Powder coated

PRICE:\$ 75.25 each



ITEMC7060

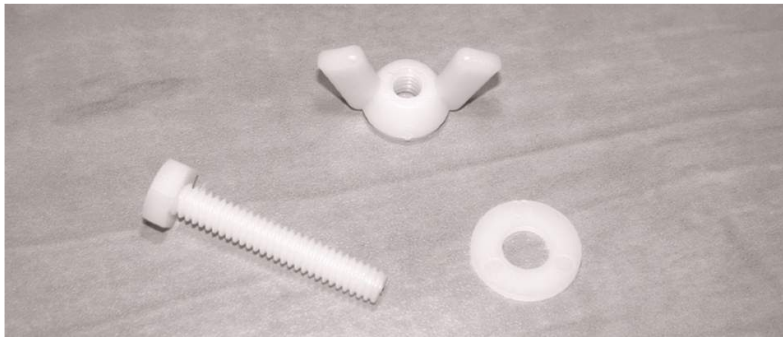
Step Stake Nuts And Bolts

DESCRIPTION:

1 Bag = 10 bolts
10 wing nuts
20 washers

PRICE:

\$4.70 each bag



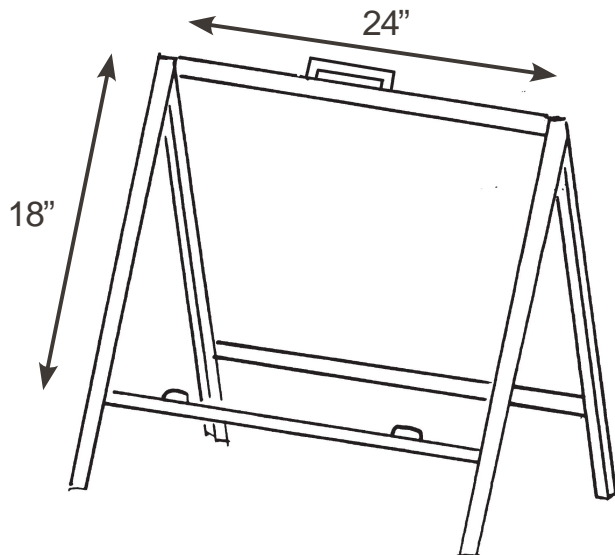
ITEMC7070

A-Frame or Tent Frame

DESCRIPTION:

- Powder coated For OPENHOUSE, FOR SALE and DIRECTIONAL
- Available only in boxes of 4

PRICE: \$ 44.90 each frame



**Please Photocopy
AND ATTACH TO ORDER FORM**

ITEMC7065

Sign Pegs

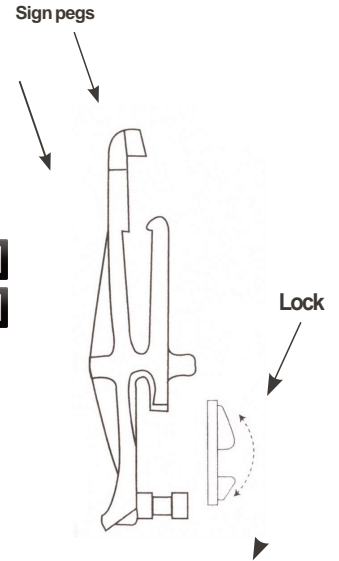
DESCRIPTION:

- Plastic Sign Holder Pegs
- Packages of 9

Model A (White)

Model B (Black)

PRICE: \$ 25.75 per bag



ITEMC7075

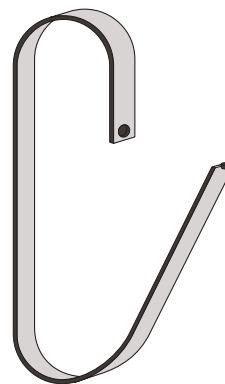
Rider Sign Hanger Clips

DESCRIPTION:

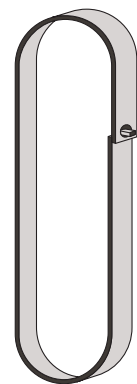
- 100% Stainless Steel Clips, For Hanging Name Rider Signs
- 36 clips per bag

PRICE: \$ 29.30 per bag

OPEN



CLOSE



ITEMC8003

Quick-Up Coro Stakes

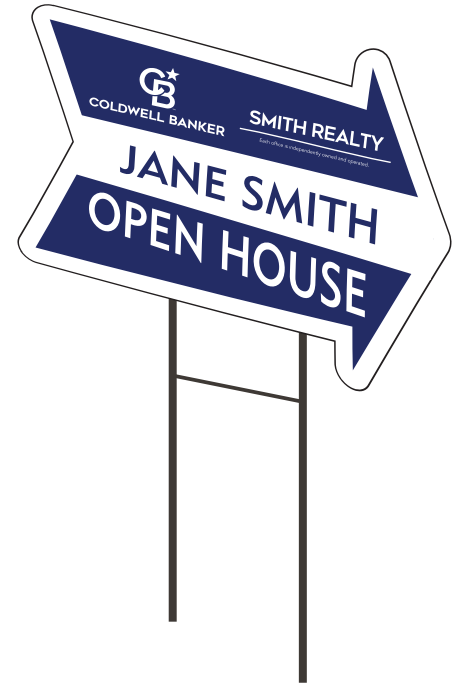
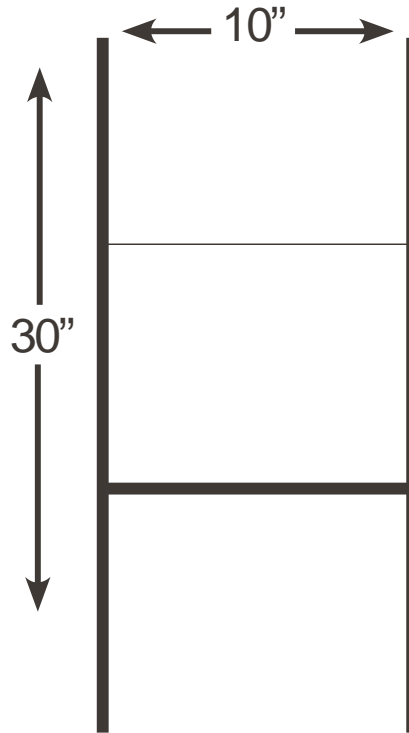
Quick-Up Coro Stakes

DESCRIPTION:

- 1/8" Galvanized Wire Stakes
- Maximum signs size: 24" X 18"
- Does not include sign panels
- 12 wire stakes per box

PRICE:

\$ 63.00 per box



ITEMC7080

NEW DESIGN

Residential Steel Yard Frame

No installer necessary, quick and easy to install

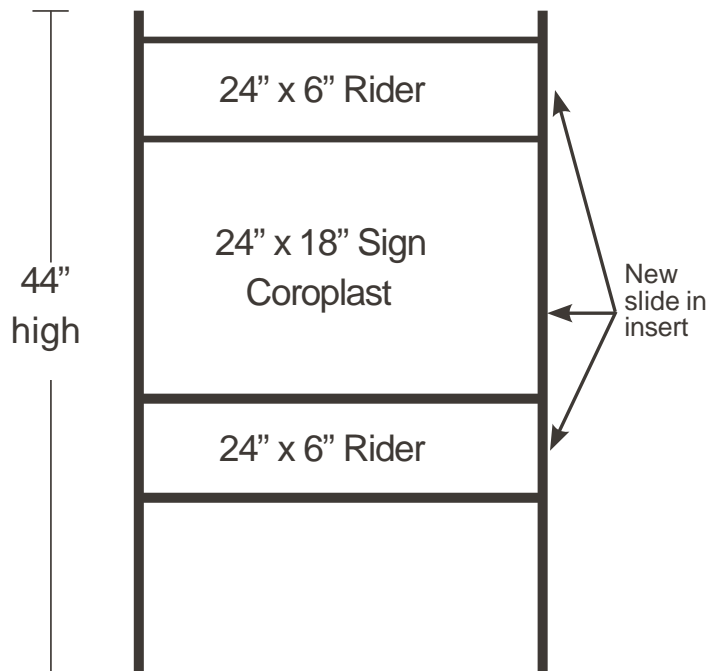
DESCRIPTION:

- Accommodates our 24" x 18" 4 mm Coroplast sign (Item #6005) and has special feature for holding sign riders 24" x 6"
- Black powder coat
- 3/4" Steel angle frame
- Package of 4 per box

QUANTITY AND PRICE:

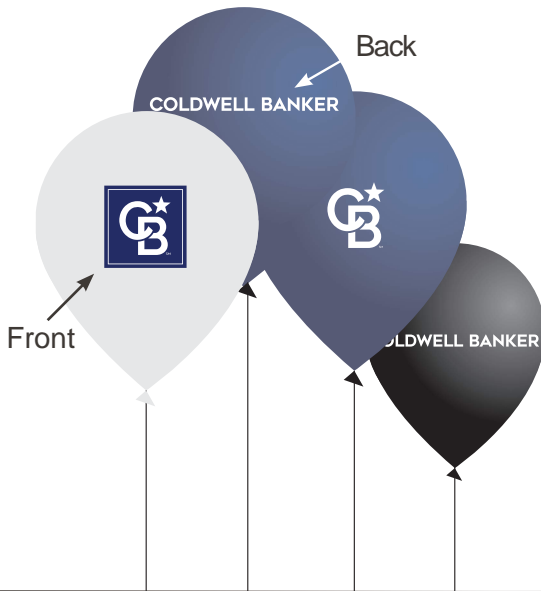
Qty: _____

- 4-20 = \$ 57.20 each frame
- 21-100 = \$ 53.90 each frame



Promotion Products

ITEMC8015



Balloons

DESCRIPTION:

- Blue, white or black 12" balloons with Coldwell Banker logo printed 2 sides
- Helium quality pure latex

QTY	<input type="checkbox"/> 250	<input type="checkbox"/> 500	<input type="checkbox"/> 1000
PRICE	\$ 77.00	\$ 154.00	\$ 303.00

<input type="checkbox"/>	Blue	Balloon	White Logos
<input type="checkbox"/>	White	Balloon	Blue Logos
<input type="checkbox"/>	Black	Balloon	White Logos

ITEMC8010

Umbrella

DESCRIPTION:

32" rib length, 64" arc

- Huge 64" umbrella
- 190T eight-panel polyester umbrella
- 14 mm black fiberglass shaft and 4 mm fiberglass ribs
- Blackplastic top and metal tips
- Matching coloured PVC grip handle
- Manual open with hook fastener tie closure
- Wind proof
- Plenty of room two or three people

PRICE: \$ 33.95 each



Promotion Products

ITEMC8025

ZIPPERED LEGAL PORTFOLIO

DESCRIPTION:

- Koskin material
- Three-sided zipper closure
- Full-length outside zippered pocket
- Inside compartment for documents.
 Accordion pocket for files
- Inside zippered pocket
- Logos in color



PRICE:\$41.35 each

ITEMC8030

Ultrasonic Range Finder

Realtors convenient distance measuring tool

- Automatic conversion between imperial & metric units with the push of a single button
- Measuring range 0.3 - 15 m or 1 foot - 50 feet
- Royal LePage LOGO

PRICE:\$ 33.00 each



Promotion Products

ITEMC8035

Model A



Model B



Model C



Model D



Model E



Model F



Feather flag

DESCRIPTION:

- Made with polyester material
- Double sticked pole pocket
- Fits poles up to 3/4
- Small: Height, 21' Widht: 77" **\$ 267.05 each**
- Medium: Height, 26' Widht: 104" **\$ 346.50 each**
- Large: Height, 33' Widht: 135" **\$ 469.70 each**
- Weight: 4 lbs.

Specify:

Model A B C D E F

Feather Flag Kit includes

- 1 Feather Flag
- 1 Feather Flag with pole
- 1 Carring Bag
- Printed 1 side

Yard Sign Printing Specifications:

A) Company Name: **Coldwell Banker**
 DBA _____
 B) Agent Name: _____
 C) Agent Phone Number: _____

Forward photo in 300 DPI by Email to:
HcsSigns@icloud.com

EXTRA

ITEMC8036

Office Floor Base \$ 84.00 each



ITEMC8037

Ground Stake \$ 42.00 each



