

# HOME COLONIAL SIGNPOST

DIVISION OF BWOOD INC

**WE SHIP  
ACROSS CANADA**



**FOR CATALOGUE UPDATES AND SALE'S PROMOTIONS, PLEASE REFER TO  
HomeColonialSignpost.com**



How to install ..... 3

Imagemaker sign post ..... 4

Residential Yard Signs 60” Post System ..... 5-6-7-8

Residential 36” Yard Signs ..... 9-10-11

Name Riders Personalize your Rider with a photo ..... 12-13

Complete Steel Frame Kit Special ..... 14

Extra large Commercial Signs ..... 15

Sterling Series Yard Signs ..... 16-17-18

Sign Post kit ..... 19

Sign Riders ..... 20

Sign Stickers ..... 21

Open House Signs ..... 22

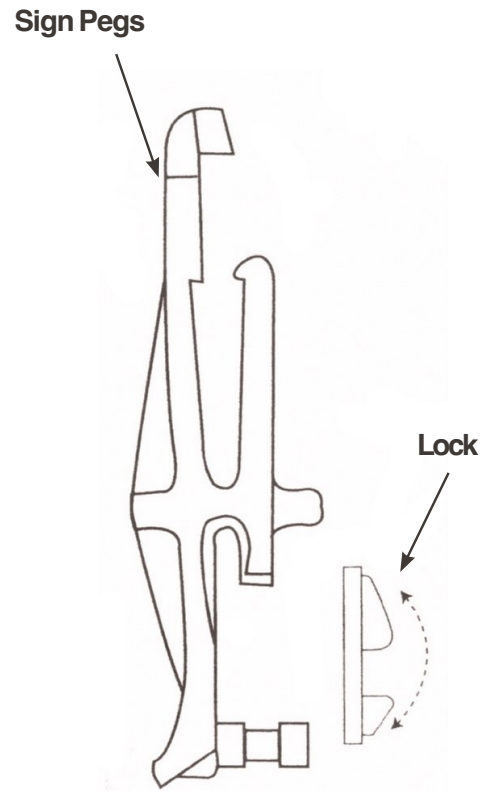
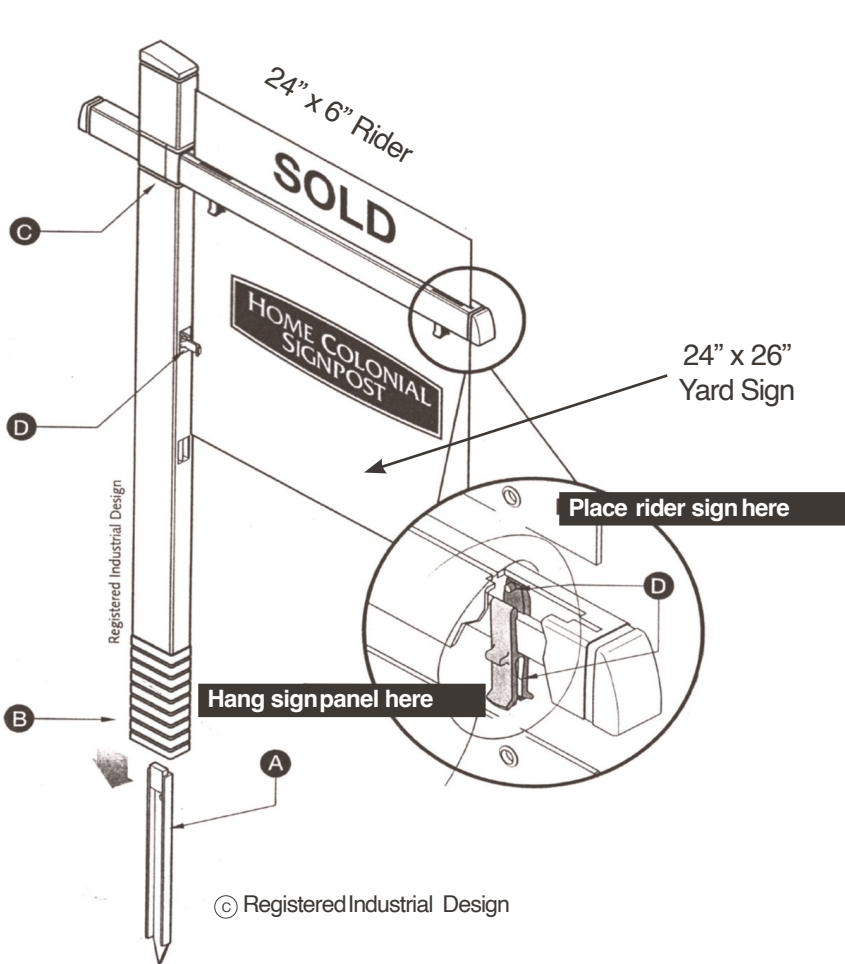
Directional Sign ..... 23-24-25

Quick-up Directional Signs ..... 26

Sign Accessories ..... 27-29

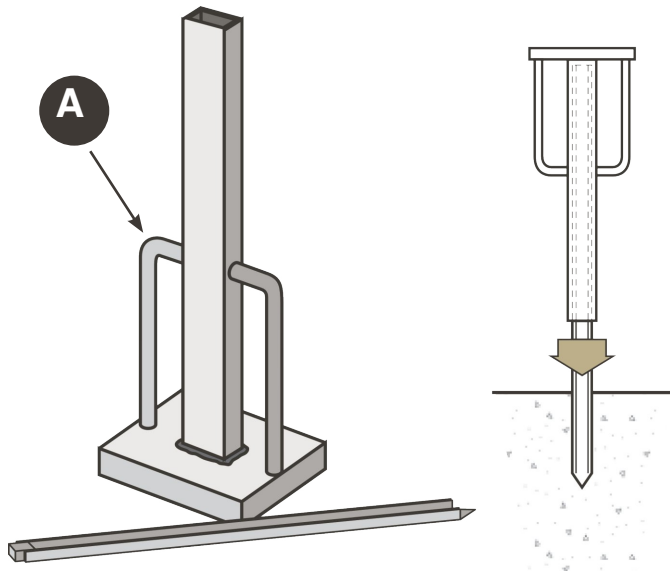
Order Form ..... 30

**The Iimagemaker Sign Post**



(For hanging main sign panel beneath cross-arm, and, for attaching side of main sign panel to upright post to prevent swinging)

**QUICK'N EASY**



- A** Pound stake into soil using a stake hammer (stop at the yellow line):
- B** Slide upright portion of post onto top of stake;
- C** Slide crossarm portion into upright until snap;
- D** Insert sign pegs in post and hang sign panel;
- E** Slide messenger rider sign into slot of crossarm;

## « Snap Assembly » Sign Post System

Main Post 60", CrossArm 36"

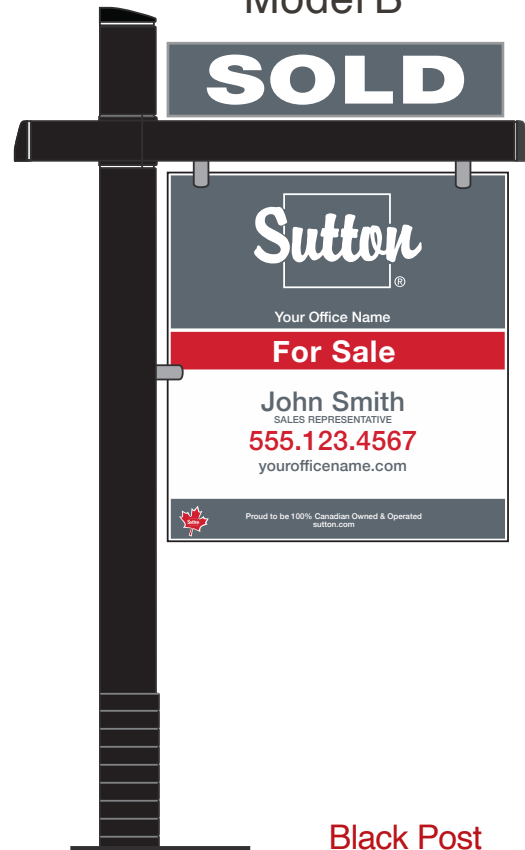
ITEM S2005P

Model A



White Post

Model B



Black Post

Includes sign post assembly & ground stake.

QTY:3 Per Box  Model A = \$ 95.30 each post  
 Model B = \$ 101.95 each post

Available in boxes of 3 only

### Quick'n easy to install:

- A) Pound stake into ground with stake hammer  
Item R7095, page 28
- B) Slide upright portion of post onto top of stake;
- C) Slide crossarm portion into upright until it snaps;
- D) Insert sign pegs in post until they clip, hang sign panel,  
And then slide rider sign into slot of crossarm.

## 2 PRODUCT WARRANTY YEARS!\*

\*Your Imagemaker Signpost warranty covers all defects in materials and workmanship.

The following are not covered by the warranty:

- 1- Units on which the manufacture date has been Defaced, modified or removed.
- 2- Damage or deterioration resulting from:
  - A- Installation or removal of the signpost
  - B- Accident, misuse, abuse, neglect, Unauthorized product modification.
  - C- Installation of parts or accessories that do not conform to the quality or specification of the original sign post or accessories

**Yard Signs 60" Sign Post System**

ITEMS6005

**Model A**



**Model B**



**24" x 18" CORRUGATED PLASTIC SIGN PANEL**

**DESCRIPTION:**

- 4 mm coroplast sign panel
- Imprinted with DBA, phone number and website
- Standard 5 grommet hole pattern
- Choose from two color schemes

**SPECIFICATIONS:**

Model A  B

5 grommets  No grommets  to fit steel frames

**QUANTITY AND PRICE:**

- 6 = \$ 26.60 / ea.
- 12 = \$ 25.20 / ea.
- 24 = \$ 23.80 / ea.

**PRINTED 1 SIDE ONLY**

- 6 = \$ 23.95 / ea.
- 12 = \$ 22.70 / ea.
- 24 = \$ 21.45 / ea.

Company Name: **Sutton**

DBA \_\_\_\_\_

B) Agent Phone Number : \_\_\_\_\_

C) Agent Website or Email: \_\_\_\_\_



## Yard Signs 60" Sign Post System

ITEMS6010

### Model A



### Model B



### Model C



24" x 26"

## YARD SIGN WITH ASSOCIATE IDENTIFIER

### DESCRIPTION:

- Printed 2 sides
- 4 mm coroplast office identification sign
- Imprinted with DBA, website, phone number and agent identifier

### SPECIFICATIONS:

Model A  B  C

3 grommets  No grommets

### QUANTITY AND PRICE:

6 = \$ 35.00 / ea.

12 = \$ 33.60 / ea.

25 = \$ 32.20 / ea.

Company Name: **Sutton**

DBA \_\_\_\_\_

B) Website : \_\_\_\_\_

C) Office phone Number: \_\_\_\_\_

D) Agent Name: \_\_\_\_\_

E) Title: \_\_\_\_\_

### Logos



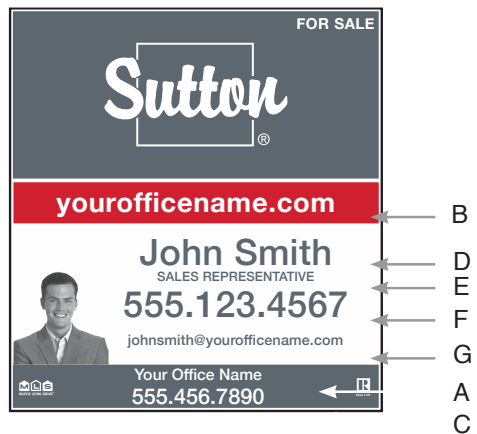
**Yard Signs 60" Sign Post System**

ITEMS6015

**Model A**



**Model B**



**Model C**



**24" x 26"**

**YARD SIGN WITH ASSOCIATE IDENTIFIER & AGENT PHOTO**

DESCRIPTION:

- Printed 2 sides
- 4 mm coroplast office identification sign
- Imprinted with DBA, website, phone number and Agent identifier
- 3 grommets (2 on top and 1 on left side of sign)

SPECIFICATIONS:

Model A  B  C

- 3 grommets       No grommets
- Photo on file\*       Sending photo by email\*

QUANTITY AND PRICE:

- 6 = \$ 35.00 / ea.
- 12 = \$ 33.60 / ea.
- 24 = \$ 32.20 / ea.

Company Name: **Sutton**

DBA \_\_\_\_\_

B) Website : \_\_\_\_\_

C) Office phone Number: \_\_\_\_\_

D) Agent Name: \_\_\_\_\_

E) Title: \_\_\_\_\_

F) Agent Phone Number: \_\_\_\_\_

G) Agent Website or Email: \_\_\_\_\_

Logos



\* Note: For quality purpose, agent photos should be taken at the highest possible resolution, but no less than 5" x 5.5" at 300 dpi (dots per inch). Shoot photos in color.

**Please Photocopy  
AND ATTACH TO ORDER FORM**

## Yard Signs 60" Sign Post System

ITEMS6020

Model A



**24"x 26" - Yard Sign With Associate Identifier**  
DESCRIPTION:

- Printed 1 side only
- 4 mm coroplast, office identification sign
- Imprinted with DBA, website and phone number

Model A  B

6 = \$ 31.50 / ea.

12 = \$ 30.25 / ea.

24 = \$ 29.00 / ea.

Company Name: **Sutton**

A) DBA \_\_\_\_\_

B) Website: \_\_\_\_\_

C) Office Phone Number: \_\_\_\_\_

D) Agent Name: \_\_\_\_\_

E) Title: \_\_\_\_\_

Logos



ITEMS6025

Model B



**24"x 26" Yard Sign With Associate Identifier**  
DESCRIPTION: DOUBLE

- 2 coroplast signs back to back glued 4 corners
- 4 mm coroplast office identification sign
- Imprinted with DBA, website and phone number

Model A  B

6 = \$ 60.50 / ea.

12 = \$ 58.00 / ea.

24 = \$ 55.50 / ea.

Company Name: **Sutton**

A) DBA \_\_\_\_\_

B) Website: \_\_\_\_\_

C) Office Phone Number: \_\_\_\_\_

D) Agent Name: \_\_\_\_\_

E) Title: \_\_\_\_\_

Logos





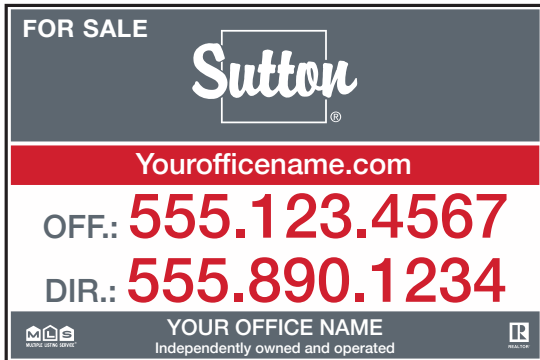
**36" Yard Signs**

ITEMS6040

**Model A**



**Model B**



**36" x 24" Yard Sign With Associate Identifier**

**DESCRIPTION:**

- Printed 2 sides
- Imprinted with DBA, website and phone number
- 4 mm coroplast office & agent identification sign
- 5 grommets (2 on top, 1 left and 2 on left side)

Model A  B

5 grommets  No grommets

**QUANTITY AND PRICE:**

- 5 = \$ 54.60 / ea.
- 10 = \$ 53.20 / ea.
- 15 = \$ 51.80 / ea.
- 20 = \$ 50.40 / ea.

Company Name: **Sutton**

A) DBA \_\_\_\_\_

B) Website: \_\_\_\_\_

C) Office Phone Number: \_\_\_\_\_

**Logos**



**Please Photocopy  
AND ATTACH TO ORDER FORM**

36" Yard Signs

ITEMS6035

Model A



Model B



36" x 32" Yard Sign With Associate Identifier with agent photo

DESCRIPTION:

- Printed 2 sides
- Imprinted with DBA, website and phone number
- 4 mm coroplast office & agent identification sign
- 3 grommets (2 on top and 2 on left side)

Model A  B

3 grommets  No grommets

Photo on file\*  Sending photo by email\*

3 = \$ 63.00 each

6 = \$ 60.20 each

9 = \$ 57.40 each

12 = \$ 54.60 each

Company Name: **Sutton**

A) DBA \_\_\_\_\_

B) Website: \_\_\_\_\_

C) Office Phone Number: \_\_\_\_\_

D) Agent Name: \_\_\_\_\_

E) Title: \_\_\_\_\_

F) Agent Phone Number: \_\_\_\_\_

G) Agent Website or Email: \_\_\_\_\_

Logos



\* Note: For quality purpose, agent photos should be taken at the highest possible resolution, but no less than 5" x 5.5" at 300 dpi (dots per inch). Shoot photos in color.

Please Photocopy  
AND ATTACH TO ORDER FORM

**36" Yard Signs**

ITEMS6030

**Model A**



**Model B**



**36" x 32" Yard Sign With Associate Identifier**

**DESCRIPTION:**

- **Printed 2 sides**

Choose from two color schemes!

Imprinted with DBA, Website and phone number

- 4 mm coroplast office & agent identification sign
- 4 grommets (2 on top and 2 on left side)

Model A  B

- 3 = \$ 63.00 each
- 6 = \$ 60.20 each
- 9 = \$ 57.40 each
- 12 = \$ 54.60 each

A) Company Name: **Sutton**

DBA \_\_\_\_\_

B) Agent Name: \_\_\_\_\_

C) Title: \_\_\_\_\_

D) Agent Website or Email: \_\_\_\_\_

E) Agent Phone Number: \_\_\_\_\_

**Logos**



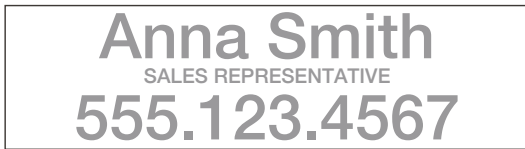
\* Note: For quality purpose, agent photos should be taken at the highest possible resolution, but no less than 5" x 5.5" at 300 dpi (dots per inch). Shoot photos in color.

Please Photocopy  
AND ATTACH TO ORDER FORM

## Personalize Your Rider With a Photo

ITEMS6085

### Model A



### Model B



### Model C



### Model D



\* Note: For quality purpose, agent photos should be taken at the highest possible resolution, but no less than 5" x 5.5" at 300 dpi (dots per inch). Shoot photos in color.

## 24" x 6 - Agent Name Riders

Description:

- Printed 2 sides
- 4 mm coroplast agent identification sign

Model A  B

6 = \$ 13.30 / ea.

12 = \$ 12.60 / ea.

24 = \$ 11.90 / ea.

2 grommets:

Top  Bottom

## 24" x 8 - Agent Name Riders

Description:

- Printed 2 sides
- 4 mm coroplast agent identification sign

Model C  D  (With photo 5.5" x 5.5")

6 = \$ 14.75 / ea.

12 = \$ 14.05 / ea.

24 = \$ 13.35 / ea.

2 grommets:

Top or  Bottom

Sign Printing specifications:

A) Agent Name: \_\_\_\_\_

B) Title: \_\_\_\_\_

C) Agent Phone Number: \_\_\_\_\_

D) Agent Website or Email: \_\_\_\_\_

Photo on file

Sending photo by email

## Personalize Your Rider With a Photo

ITEMS6045

### Model A



### Model B



### Model C



### Model D



### 36" x 8" Agent Name Rider

Description:

- Printed 2 sides
- 4 mm coroplast office identification sign

Sign model A  B

6 = \$ 23.10 / ea.

12 = \$ 21.70 / ea.

24 = \$ 20.30 / ea.

2 grommets:

Top  Bottom

A) Agent Name: \_\_\_\_\_

A) Title: \_\_\_\_\_

C) Agent Phone Number: \_\_\_\_\_

A) Website: \_\_\_\_\_

Sign model C  D  (With photo 6" x 6")

6 = \$ 24.05 / ea.

12 = \$ 22.65 / ea.

24 = \$ 21.25 / ea.

2 grommets:

Top  Bottom

A) Agent Name: \_\_\_\_\_

A) Title: \_\_\_\_\_

C) Agent Phone Number: \_\_\_\_\_

A) Website: \_\_\_\_\_

\* Note: For quality purpose, agent photos should be taken at the highest possible resolution, but no less than 5.5" x 5.5" at 300 dpi (dots per inch). Shoot photos in color.

Please Photocopy  
AND ATTACH TO ORDER FORM

## Complete Steel Frame Kit

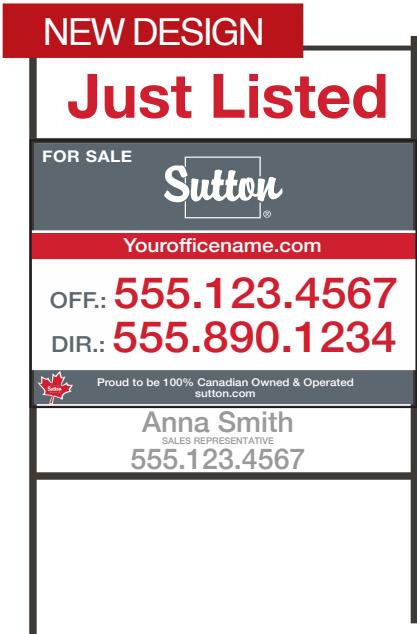
ITEMS6075



Logos



A value of \$ 950.00  
for only **\$ 890.00**



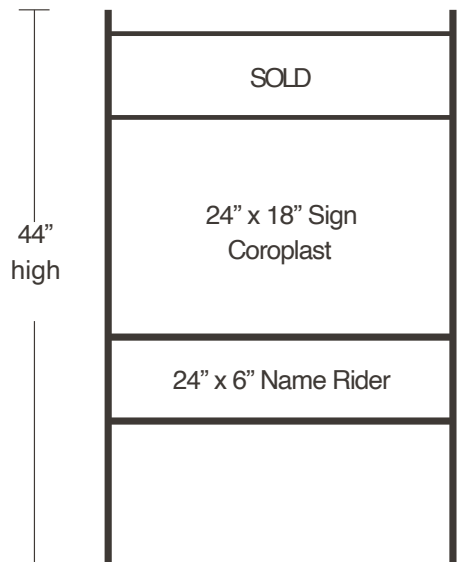
# SPECIAL

- (ITEM 6075) A) 8 STEELFRAMES (2 boxes)
- (ITEM 6005) B) 8 YARD SIGNS 24" x 18"
- Riders size 24" x 6"
- (ITEM 6085) C) 8 NAME RIDERS
- (ITEM 6090) D) 4 "NEW PRICE"
- (ITEM 6090) E) 4 "OPEN SUNDAY 2-4"
- (ITEM 6090) F) 4 "SOLD"

### YARD SIGN PRINTING SPECIFICATIONS:

Company Name: **Sutton**

- A) DBA \_\_\_\_\_
- B) Website: \_\_\_\_\_
- B) Office Phone Number: \_\_\_\_\_
- C) Agent Name: \_\_\_\_\_
- D) Title: \_\_\_\_\_
- E) Agent Phone Number: \_\_\_\_\_



ITEMS7080

Steel Frame Item  
See page 27

Please Photocopy  
AND ATTACH TO ORDER FORM

**Commercial Signs**

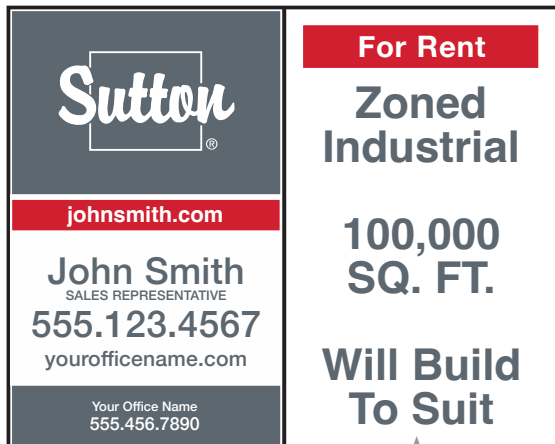
**ITEMS6070**

Model A



Sample Message

Model B



Sample Message

**60" x 48" Extra Large Yard Sign**

LARGE, PRINTED ONE SIDED COROPLAST SIGN IDEAL FOR INDUSTRIAL, COMMERCIAL BUILDINGS, OPEN LOTS AND ACREAGE.

Ready to install on buildings, etc. Coroplast signs are inexpensive to ship and easy to install.

Signs should be supported with wooden frame (1" x 3" furring).

**DESCRIPTION:**

- Printed 1 side only
- 6 mm coroplast office identification sign.

**SPECIFICATIONS:**

Model A  B

**QUANTITY AND PRICE:**

- 1 = \$ 196.00 / ea.
- 2 = \$ 189.00 / ea.
- 6 = \$ 175.00 / ea.

**YARD SIGN PRINTING SPECIFICATIONS:**

Company Name: **Sutton**

A) DBA \_\_\_\_\_

B) Website: \_\_\_\_\_

C) Office Phone Number: \_\_\_\_\_

D) Agent name: \_\_\_\_\_

E) Title: \_\_\_\_\_

F) Agent Phone Number: \_\_\_\_\_

G) Agent Website or Email: \_\_\_\_\_

H) Slogan or Message: \_\_\_\_\_

\_\_\_\_\_

\_\_\_\_\_

\_\_\_\_\_

**Please Photocopy  
AND ATTACH TO ORDER FORM**

## 60" Sign post system

ITEMS6050

Model A



### 24" x 30" Sterling Series Sign

**DESCRIPTION:**

- 4 mm coroplast office identification sign
- Imprinted with DBA, website, phone number

**SPECIFICATIONS:**

- 4 grommets     no grommets

**QUANTITY AND PRICE: PRINTED 2 SIDES**

- 3 = \$ 43.75 / ea.  
 6 = \$ 38.80 / ea.  
 12 = \$ 36.40 / ea.  
 24 = \$ 35.00 / ea.

### Riders 24" x 8

**Die-Cut**

- 3 = \$ 24.90 each



\* Note: For quality purpose, agent photos should be taken at the highest possible resolution, but no less than 5.5" x 5.5" at 300 dpi (dots per inch). Shoot photos in color.



60" Sign post system

ITEMS6055



# SPECIAL

## COMPLETE Global Luxury SIGN POST KIT

### DESCRIPTION:

- A) 3 IMAGE MAKER 60" BLACK SIGN POSTS (1 box) complete with ground stakes & 3 extra pegs
- B) 3 Yard signs (24" x 32")
- C) 3 Personalized riders with photo



Forward photo in 300 DPI by e-mail to : [HcsSigns@icloud.com](mailto:HcsSigns@icloud.com)

- Photo on file       Sending photo by email

### Logos



Company Name: **Coldwell Banker**

- A) DBA \_\_\_\_\_
- B) Agent name: \_\_\_\_\_
- C) Agent Phone Number: \_\_\_\_\_
- D) Agent Website or Email: \_\_\_\_\_

\* Note: For quality purpose, agent photos should be taken at the highest possible resolution, but no less than 5.5" x 5.5" at 300 dpi (dots per inch). Shoot photos in color.

Please Photocopy  
AND ATTACH TO ORDER FORM

## 60" Sign post system

# SPECIAL

ITEMS9000A

COMPLETE SIGN POST KIT WITH PICTURE

### Model A

#### DESCRIPTION:

- A) 6 IMAGE MAKER 60" SIGN POSTS (2 boxes)  
complete with ground stakes & pegs
- B) 6 Yard signs (24" x 26") with associated identifier
- C) 12 Message riders (24" x 6")
  - 3 "NEW PRICE"
  - 3 "Open Sunday 2 to 4"
  - 3 "JUST LISTED"
  - 3 "SOLD"

Photo on file\*  Sending photo by email\*

#### Logos

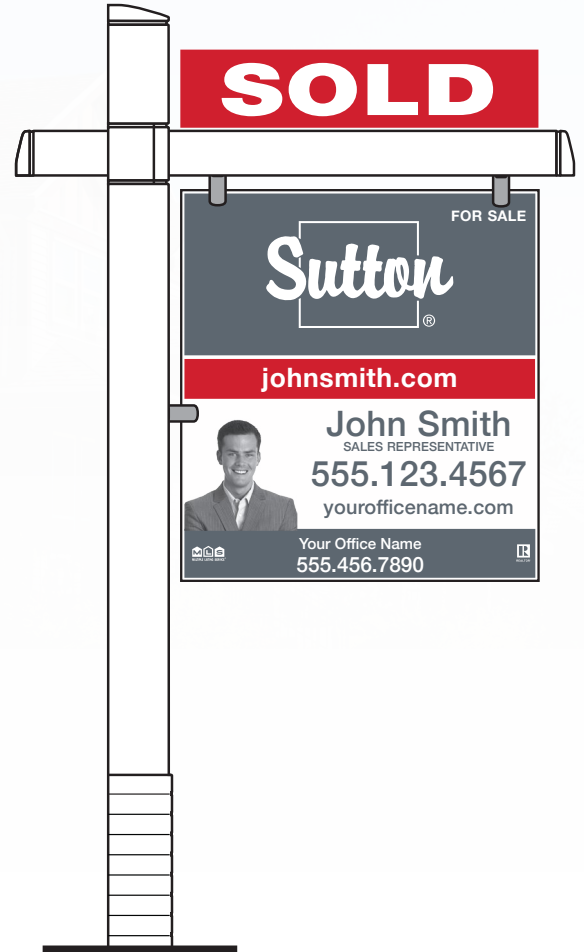


CompanyName: **Sutton**

- A) DBA \_\_\_\_\_
- B) Agent name: \_\_\_\_\_
- C) Title: \_\_\_\_\_
- D) Agent Phone Number: \_\_\_\_\_
- E) Agent Email: \_\_\_\_\_
- F) Agent Website: \_\_\_\_\_

\* Note: For quality purpose, agent photos should be taken at the highest possible resolution, but no less than 5.5" x 5.5" at 300 dpi (dots per inch). Color photos can be used.

Please E-mail photo to: HcsSigns@icloud.com



A value of \$ 945.00  
for only **\$ 875.00**

Please Photocopy  
AND ATTACH TO ORDER FORM

## 60" Sign post system

ITEMS9000B



# SPECIAL

## COMPLETE SIGN POST KIT WITH PICTURE

### Model B

#### DESCRIPTION:

A) 6 IMAGE MAKER 60" SIGN POSTS (2 boxes)

complete with ground stakes & pegs

B) 6 Yard signs (24" x 26") with associated identifier

C) 12 Message riders (24" x 6")

• 3 "NEW PRICE"

• 3 "Open Sunday 2 to 4"

• 3 "JUST LISTED"

• 3 "SOLD"

Photo on file\*  Sending photo by email\*

Logos

 (MLS)

 REALTOR

 centris

Company Name: **Sutton**

A) DBA \_\_\_\_\_

B) Agent name: \_\_\_\_\_

C) Title: \_\_\_\_\_

D) Agent Phone Number: \_\_\_\_\_

E) Agent Email: \_\_\_\_\_

F) Agent Website: \_\_\_\_\_

A value of \$ 1000.00  
for only **\$ 925.00**

\* Note: For quality purpose, agent photos should be taken at the highest possible resolution, but no less than 5.5" x 5.5" at 300 dpi (dots per inch). Color photos can be used.

Please E-mail photo to: [HcsSigns@icloud.com](mailto:HcsSigns@icloud.com)

Please Photocopy  
AND ATTACH TO ORDER FORM

ITEMS6090

## Special Features And Activities / DESCRIPTION:

Printed 2 sides on 4 mm coroplast sign riders (white coroplast can be translucent in very bright areas)

**SOLD**

**SOLD**

**SOLD**

**SOLD**

Model: A

B

C

D

24" x 6"	24" x 8"	36" x 6"	36" x 8"
<input type="checkbox"/> 6 = \$ 13.30 each	<input type="checkbox"/> 6 = \$ 14.25 each	<input type="checkbox"/> 6 = \$ 23.10 each	<input type="checkbox"/> 6 = \$ 23.10 each
<input type="checkbox"/> 12 = \$ 12.60 each	<input type="checkbox"/> 12 = \$ 13.55 each	<input type="checkbox"/> 12 = \$ 21.70 each	<input type="checkbox"/> 12 = \$ 21.70 each
<input type="checkbox"/> 24 = \$ 11.90 each	<input type="checkbox"/> 24 = \$ 12.85 each	<input type="checkbox"/> 24 = \$ 20.30 each	<input type="checkbox"/> 24 = \$ 20.30 each
<input type="checkbox"/> 50 = \$ 11.60 each	<input type="checkbox"/> 50 = \$ 12.55 each	<input type="checkbox"/> 50 = \$ 19.70 each	<input type="checkbox"/> 50 = \$ 19.70 each
<input type="checkbox"/> 100 = \$ 11.35 each	<input type="checkbox"/> 100 = \$ 12.30 each	<input type="checkbox"/> 100 = \$ 19.25 each	<input type="checkbox"/> 100 = \$ 19.25 each

Grommets:  Top  Bottom  Center for steel frames  None

**NOTE:** Minimum of 6 signs, no mixing

Sign #'s: \_\_\_\_\_ Quantity: \_\_\_\_\_

**Ajouts en Français**

Description: \_\_\_\_\_

7 0 0 <b>Commercial</b>	7 1 2 <b>Open</b> →	7 2 3 <b>Open House</b>	7 3 8 <b>Open Sunday 2-4</b>	7 5 1 <b>Must See Inside!</b>
7 0 1 <b>Office</b>	7 1 3 <b>Auction</b>	7 2 4 <b>For Lease</b>	7 4 0 <b>Model Open</b> →	7 5 2 <b>New Price!</b>
7 0 2 <b>3 Bedroom</b>	7 1 4 →	7 2 7 <b>Lot</b>	7 4 1 <b>Farm</b>	7 5 3 <b>Open Sunday 1-3</b>
7 0 5 <b>Lakefront</b>	7 1 5 <b>Open Sunday 1-4</b>	7 2 8 <b>Sale Pending</b>	7 4 2 <b>Open Saturday</b>	7 5 4 <b>Open Sat. ___ to ___</b>
7 0 6 <b>Swimming Pool</b>	7 1 6 <b>For Sale</b>	7 2 9 <b>Rentals</b>	7 4 3 <b>Open Sunday</b>	7 5 6 <b>Lake Rights</b>
7 0 7 <b>By Appt. Only</b>	7 1 7 <b>Owner Finance</b>	7 3 0 <b>Waterfront</b>	7 4 4 <b>Sold</b> <small>But, we Have Others</small>	7 5 7 <b>Lot #</b>
7 0 8 <b>Sold</b>	7 1 8 <b>Exclusive</b>	7 3 1 <b>Income Property</b>	7 4 5 <b>Acreage</b>	7 5 8 <b>Just Listed</b>
7 0 9 <b>2 Family</b>	7 1 9 <b>Lots</b>	7 3 2 <b>Open House</b> →	7 4 8 <b>Duplex</b>	7 5 9 <b>In Contract</b>
7 0 1 <b>4 Bedroom</b>	7 2 0 <b>Price Reduced</b>	7 3 3 <b>For Rent</b>	7 4 9 <b>Home For Sale</b> →	7 6 0 <b>Multi-Family</b>
7 1 1 <b>___ Acres</b>	7 2 2 <b>Available</b>	7 3 5 <b>Build To Suit</b>	7 5 0 <b>Home Warranty</b>	7 6 1 <b>Condo</b>

**ITEM C6095** CUSTOM VINYL GRAPHIC STICKERS

- Blacksticker, white lettering      Size of Sticker: \_\_\_\_\_
- White sticker, black lettering
- Transparent sticker, white or black lettering

Message print: \_\_\_\_\_  
 \_\_\_\_\_  
 \_\_\_\_\_

**ITEM C7000** WHITE OR BLACK STICKERS WITH BLACK OR WHITE LETTERING

SIZE		QUANTITY			
<input type="checkbox"/>	15" X 3"	15 \$4.85 each	25 \$3.65 each	50 \$3.25 each	100 \$2.20 each
<input type="checkbox"/>	21" X 3"	\$5.45 each	\$4.15 each	\$3.75 each	\$3.15 each

Message print: \_\_\_\_\_

**ITEM C7005** TRANSPARENT STICKERS WITH WHITE OR BLACK

SIZE		QUANTITY			
<input type="checkbox"/>	15" X 4"	15 \$5.65 each	25 \$4.15 each	50 \$3.65 each	100 \$3.40 each

Message print: \_\_\_\_\_

**ITEM C7010** EXTRA LARGE PERSONALIZED STICKERS

SIZE		QUANTITY	
<input type="checkbox"/>	24" X 7.5"	15 \$10.70 each	25 \$8.50 each

Message print: \_\_\_\_\_

ITEMS7015

Model A



Model B



Model C



Model D



## 24" x 18" Open House Signs

DESCRIPTION:

- Printed 1 side only
  - 4 mm coroplast sign
- Minimum order = 12

SPECIFICATIONS:

MODEL A  B  C  D

Writing in red arrow:

- FOR SALE → QTY: \_\_\_ ← QTY: \_\_\_
- OPEN HOUSE → QTY: \_\_\_ ← QTY: \_\_\_
- 12 = \$ 22.70 / ea.
- 24 = \$ 21.45 / ea.
- 50 = \$ 20.20 / ea.

Yard Sign Printing Specifications:

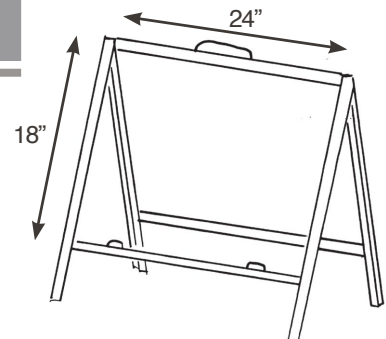
Company Name: **Sutton**

- A) DBA: \_\_\_\_\_
- B) Agent name: \_\_\_\_\_
- C) Title: \_\_\_\_\_
- D) Agent Phone Number: \_\_\_\_\_
- E) Agent website or Email: \_\_\_\_\_

ITEMC7070

page 29

These signs work well with this A-Frame.



## and Stakes

**ITEMS7025**



- 10 = \$ 53.70 each (2 boxes)
- 15 = \$ 50.80 each (3 boxes)
- 25 = \$ 48.20 each (5 boxes)

### 24" x 12" - Directional Sign With Step Stake

**DESCRIPTION:**

- 2 X 4 mm coroplast signs glued back to back
- Includes step stake, nuts and bolts
- Imprinted with DBA and Agent identifier
- Weight: 4.75 lbs each

Choose from two color schemes!

Model A  B

Specify: OPENHOUSE  FOR SALE   
AGENTPHOTO  ADDRESS

**SIGN PRINTING SPECIFICATIONS:**

- A) Company Name: **Sutton**  
DBA \_\_\_\_\_
- B) Agent Name: \_\_\_\_\_
- C) Title: \_\_\_\_\_

**ITEMS7030**



- 20 = \$ 18.30 each
- 30 = \$ 17.05 each
- 50 = \$ 15.75 each

### 24" x 12" - Single Sided Directional Sign

**DESCRIPTION:**

- 1 X 4 mm coroplast sign
- Printed one side only
- Imprinted with DBA and Agent identifier

Choose from two color schemes!

Model A  B

Specify: OPENHOUSE  FOR SALE

Indicate direction of arrow:

Arrow Right QTY: \_\_\_\_\_

Arrow Left QTY: \_\_\_\_\_

- A) Company Name: **Sutton**  
DBA \_\_\_\_\_
- B) Agent Name: \_\_\_\_\_
- C) Title: \_\_\_\_\_

Please Photocopy  
AND ATTACH TO ORDER FORM

## and Stakes

ITEMS7051



### Little House Die-Cut Sign 18" X 18" Directional sign with step stake

**DESCRIPTION:**

- 2 X 4 mm coroplast signs glued back to back
- Printed 1 side only
- Includes step stake, nuts and bolts
- Weight: 4.75 pounds each

**SPECIFICATIONS:**

FOR SALE •QTY: \_\_\_\_\_  OPEN HOUSE •QTY: \_\_\_\_\_

**QUANTITY AND PRICE: (NO MIXING)**

- 10 = \$ 62.60 / ea. (2 boxes)
- 15 = \$ 60.10 / ea. (3 boxes)
- 25 = \$ 57.50 / ea. (5 boxes)

Company Name: **Sutton**

A) DBA \_\_\_\_\_

B) Agent name: \_\_\_\_\_

C) Title: \_\_\_\_\_

D) Agent Phone Number: \_\_\_\_\_

ITEMS7052



### Single Sided Little House Directional Signs

**DESCRIPTION:**

- 4 mm coroplast sign
- Printed 1 side only

**SPECIFICATIONS:**

FOR SALE      → QTY: \_\_\_\_\_      ← QTY: \_\_\_\_\_  
 OPEN HOUSE      → QTY: \_\_\_\_\_      ← QTY: \_\_\_\_\_

**QUANTITY AND PRICE: (NO MIXING)**

- 20 = \$ 22.95 / ea. \*Minimum order 10 per direction\*

Company Name: **Sutton**

A) DBA \_\_\_\_\_

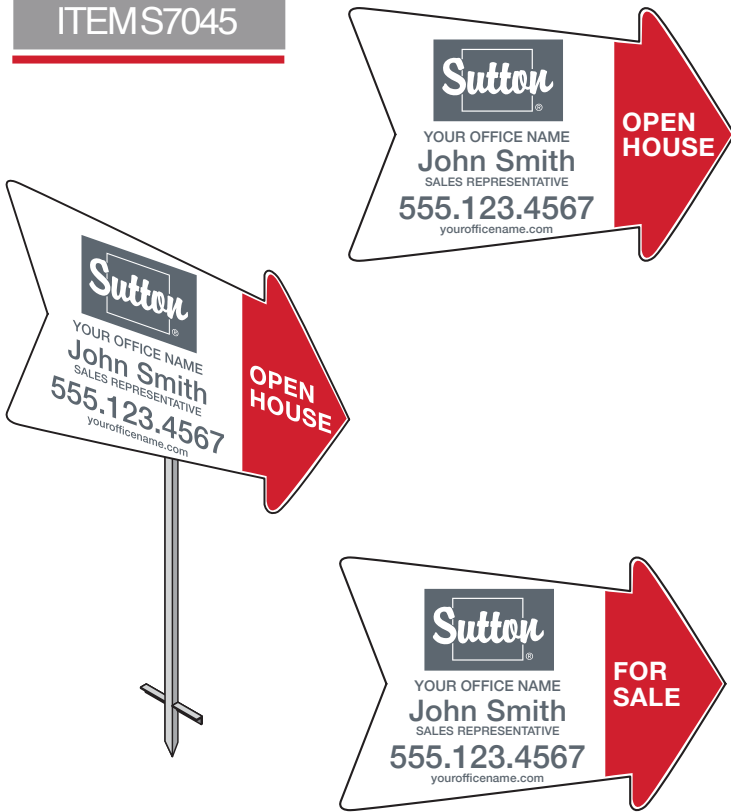
B) Agent name: \_\_\_\_\_

C) Title: \_\_\_\_\_

D) Agent Phone Number: \_\_\_\_\_



**ITEMS7045**



### 24" X 18" Arrow Die-Cut Sign Directional sign with step stake

**DESCRIPTION:**

- 2 X 4 mm coroplast signs glued back to back
- Printed 1 side only
- Includes step stake, nuts and bolts
- Weight: 4.75 pounds each

**SPECIFICATIONS:**

FOR SALE • QTY: \_\_\_\_\_  OPEN HOUSE • QTY: \_\_\_\_\_

**QUANTITY AND PRICE: NO MIXING**

- 10 = \$ 65.10 / ea. (2 boxes)
- 15 = \$ 62.60 / ea. (3 boxes)
- 25 = \$ 60.10 / ea. (5 boxes)

Company Name: **Sutton**

A) DBA \_\_\_\_\_

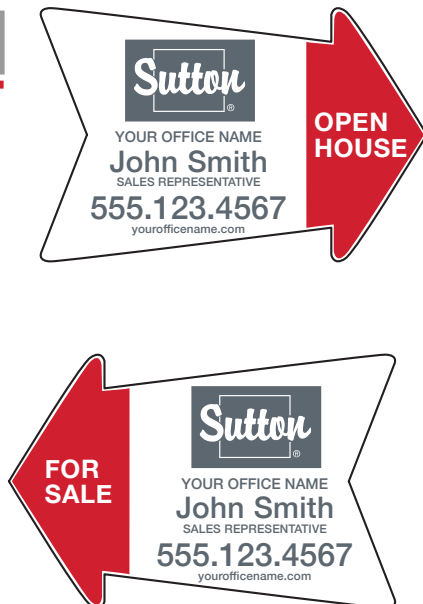
B) Agent name: \_\_\_\_\_

C) Title: \_\_\_\_\_

D) Agent Phone Number: \_\_\_\_\_

E) Website or Email: \_\_\_\_\_

**ITEMS7050**



### Single Sided Arrow Directional Signs

**DESCRIPTION:**

- 4 mm coroplast sign
- Printed 1 side only

**SPECIFICATIONS:**

FOR SALE → QTY: \_\_\_\_\_ ← QTY: \_\_\_\_\_  
 OPEN HOUSE → QTY: \_\_\_\_\_ ← QTY: \_\_\_\_\_

**QUANTITY AND PRICE:**

NOMIXING- Minimum order 10 per direction

- 20 = \$ 24.20 each
- 50 = \$ 21.70 each

Company Name: **Sutton**

A) DBA \_\_\_\_\_

B) Agent name: \_\_\_\_\_

**Please Photocopy  
AND ATTACH TO ORDER FORM**

ITEMS7055

### Model A



### Model B



## 24" X 12" Directional Sign With Wire Stakes

### DESCRIPTION:

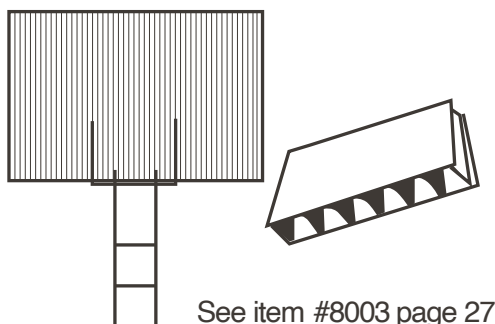
- Printed 2 sides
- With 30" galvanized wire stakes
- Use these lightweight, moisture proof, 4 mm corrugated plastic signs where cost is a factor. They will fit our H-Frame Wire Stakes (sold separately. Signs are available with vertical flutes only and are printed on both sides. Personalized at no extra charge
- Weight: 4.75 pounds each

### YARD SIGN PRINTING SPECIFICATIONS:

- A) Company Name: **Sutton**
- B) DBA \_\_\_\_\_
- C) Title: \_\_\_\_\_
- D) Agent name: \_\_\_\_\_
- E) Agent Phone Number: \_\_\_\_\_
- Specify:  OPENHOUSE or  FORSALE

MODEL A  B

- 12 Directional signs & stakes = \$ 25.55 / ea. (1 box)
- 24 Directional signs & stakes = \$ 24.15 / ea. (2 boxes)
- 48 Directional signs & stakes = \$ 22.75 / ea. (4 boxes)



### Galvanized Wire Stake

- 10" X 30" galvanised stake
- 1/8" Wire construction
- For use with 4mm Corrugated sign panels
- Affordable and easy to use

Please Photocopy  
AND ATTACH TO ORDER FORM

**ITEMS7080**

**Residential Steel Yard Frame**

No installer necessary, quick and easy to install

**DESCRIPTION:**

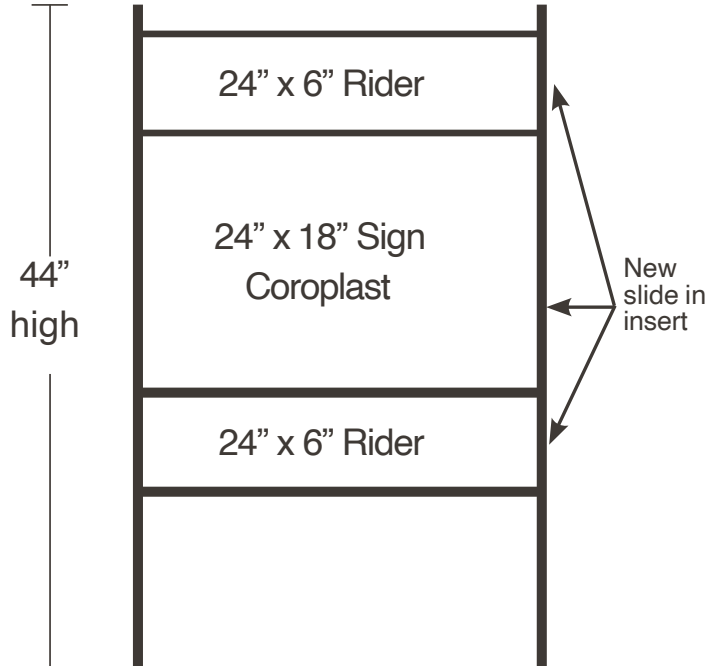
- Accomodates our 24" x 18" 4 mm Coroplast sign (Item #6005) and hasspecial feature for holding sign riders 24" x 6"
- Black powder coat
- 3/4" Steel angle frame
- Package of 4 per box

**QUANTITY AND PRICE:**

Qty: \_\_\_\_\_

- 4-20 = \$ 57.20 each frame
- 21-100 = \$ 53.90 each frame

**NEW DESIGN**



**ITEMC8003**

**Quick-Up Coro Stakes**

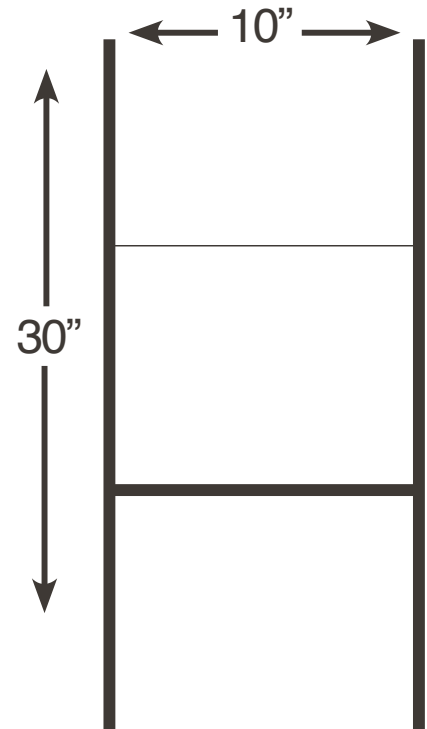
**Quick-Up Coro Stakes**

**DESCRIPTION:**

- 1/8" Galvanized Wire Stakes
- Maximum signs size: 24" X 18"
- Doesnot include sign panels
- 12 wire stakes per box

**PRICE:**

\$ 63.00 per box



**Please Photocopy  
AND ATTACH TO ORDER FORM**

## ITEMS7085

### Extra Yard Sign Ground Stakes

**DESCRIPTION:**

- Powder coated
- Available only in a packages of 3 ground stakes

PRICE:\$ 48.00 per package



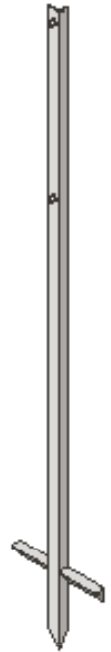
## ITEMS7090

### Step Stakes

**DESCRIPTION:**

- Step Stake 48"
- Weight: 2.75 lbs each
- 5 per box (minimum order of 5)
- Includes nylon nuts, bolts and washers
- Powder coated

PRICE:\$ 83.50 per box



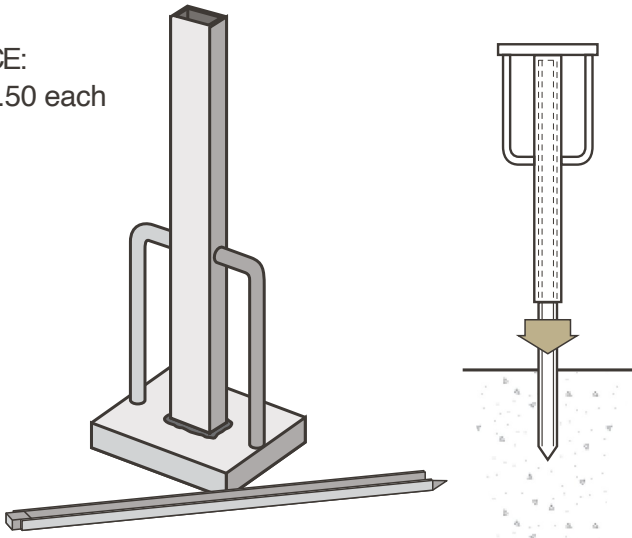
## ITEMS7095

### Stake Hammer

**DESCRIPTION:**

- For installing sign stakes
- Avoid flaring top of steel stakes
- Weight: 15 lbs.
- Powder coated

PRICE:  
\$ 77.50 each



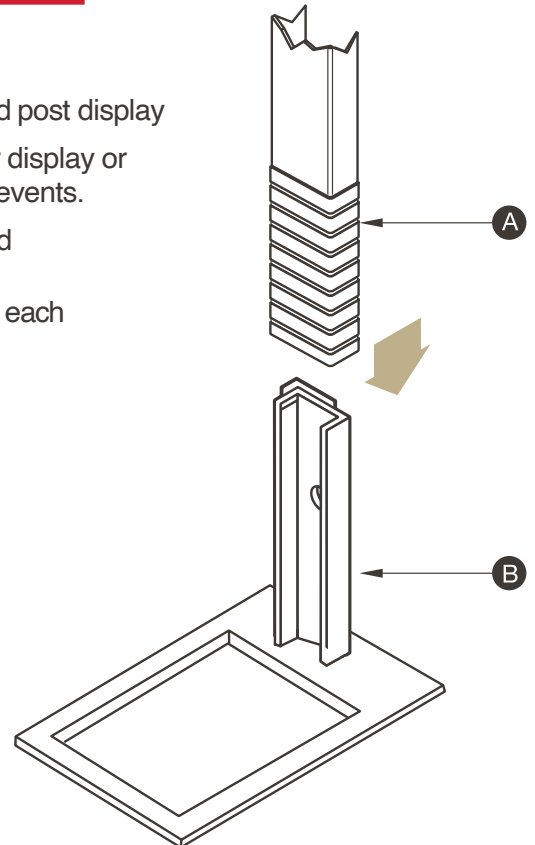
## ITEMS8000

### Portable Display Base

**DESCRIPTION:**

- Office sign and post display
- To be used for display or office special events.
- Powder coated

PRICE:\$ 75,25 each



## ITEMS7060

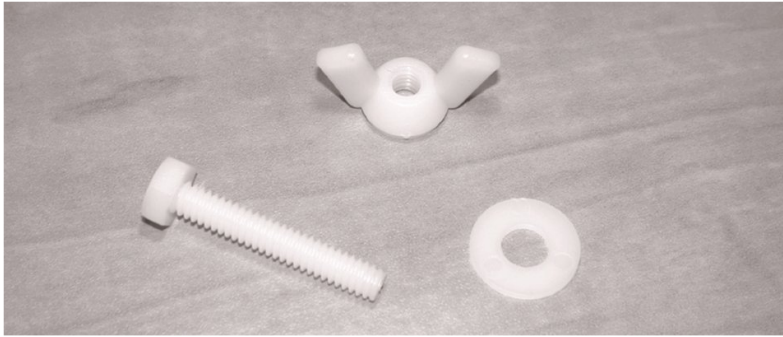
### Step Stake Nuts And Bolts

**DESCRIPTION:**

- 1 Bag = 10 bolts
- 10 wing nuts
- 20 washers

**PRICE:**

\$4.70 each bag



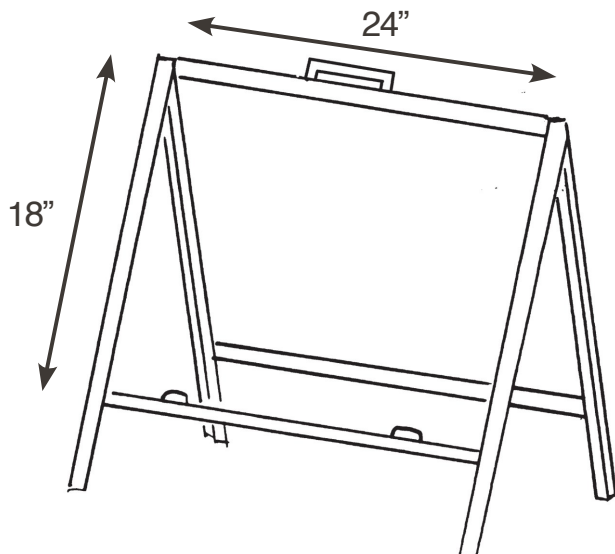
## ITEMS7070

### A-Frame or Tent Frame

**DESCRIPTION:**

- Powder coated For OPENHOUSE, FOR SALE and DIRECTIONAL
- Available only in boxes of 4

PRICE: \$ 44.90 each frame



Please Photocopy  
AND ATTACH TO ORDER FORM

## ITEMS7065

### Sign Pegs

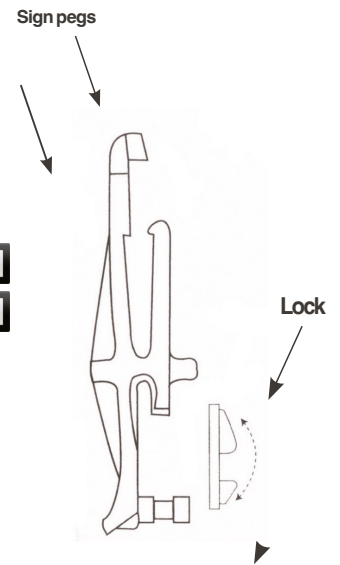
**DESCRIPTION:**

- Plastic Sign Holder Pegs
- Packages of 9

Model A (White)

Model B (Black)

PRICE: \$ 24.75 per bag



## ITEMS7075

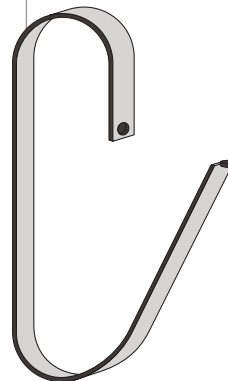
### Rider Sign Hanger Clips

**DESCRIPTION:**

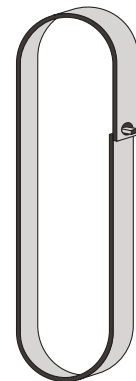
- 100% Stainless Steel Clips, For Hanging Name Rider Signs
- 36 clips per bag

PRICE: \$ 29.30 per bag

OPEN



CLOSE



### HOW TO ORDER:

- 1. Photocopy catalogue page
- 2. Complete order form
- 3. Order directly by sending the order form via email.
- 4. Orders must be accompanied by payment to begin processing.

#### Terms:

You may pay for your merchandise by Visa, MasterCard or American Express. E-Transfers, Cheque or money order in full (including shipping and applicable sales/tax).

Shipping charges will automatically be added on charge card orders. When ordering by e-transfers, cheques or money order, and you would like to prepay shipping charges, you may call for exact freight charges.

No C.O.D.'s accepted. Our minimum order is \$40.00. Prices subject to change without notice.

Home Colonial SignsPost Is Not responsible for following individual local or municipal sign restrictions and specifications. If your area has specific sign codes or restrictions you must inform us in writing at the time you place your order.

#### Sales/Tax:

The appropriate tax will be added to all orders shipped.

#### Returns:

Merchandise can not be returned without written permission. No refunds can be given on personalized merchandise. All returned merchandise must be shipped freight prepaid.

### ORDERFORM:

Company name: **Sutton**

Realter name: \_\_\_\_\_

Address: \_\_\_\_\_

City: \_\_\_\_\_ Province: \_\_\_\_\_

Postal code: \_\_\_\_\_

Telephone: (\_\_\_\_) \_\_\_\_\_ Fax: (\_\_\_\_) \_\_\_\_\_

Card holder name: \_\_\_\_\_

Credit card number: \_\_\_\_\_ Expiry date: M / Y \_\_\_\_\_ 3 Digit Code: \_\_\_\_\_

Visa  Mastercard  Amex  E-Transfers

Card holder signature: \_\_\_\_\_

### FOR EXACT PRINTING DETAILS, SEE OUR CATALOGUE.

QTY	ITEM NO	SIZE	DESCRIPTION	EACH	TOTAL

#### SHIPPING AND BILLING CHARGES:

Shipping charges will automatically be included on charge card orders. When ordering by check or money order, and would like to prepay shipping charges, you may call for exact freight charges.

(See shipping charge information) Shipping Charges \_\_\_\_\_

Total Price of items \_\_\_\_\_

Total amount of Order \_\_\_\_\_

H.S.T. or G.S.T. (Canadian Customers Only) \_\_\_\_\_

TOTAL \_\_\_\_\_

Québec clients, add Q.S.T. \_\_\_\_\_

**GRAND TOTAL** \_\_\_\_\_

**NEED A CATALOGUE?**  
Download it from our website [HomeColonialSignpost.com](http://HomeColonialSignpost.com)



# HOME COLONIAL SIGNPOST

DIVISION OF ROBWOOD INC

1699 Station Road, Mascouche, QC J7L2J6

E-mail: HcsSigns@icloud.com

Tel.: 450.477.2828

Fax: 450.477.6819



**IMAGEMAKER<sup>®</sup>**  
[The]



**SOLD**

**Sutton**<sup>®</sup>

Your Office Name

**For Sale**

**John Smith**

SALES REPRESENTATIVE

**555.123.4567**

[yourofficename.com](http://yourofficename.com)



Proud to be 100% Canadian Owned & Operated  
[sutton.com](http://sutton.com)