

HOME COLONIAL SIGNPOST

DIVISION OF BWOOD INC

**WE SHIP
ACROSS CANADA**



FOR CATALOGUE UPDATES AND SALE'S PROMOTIONS, PLEASE REFER TO
HomeColonialSignpost.com



How to install 3

Imagemaker sign post 4

Residential Yard Signs 60” Post System 5-6-7-8

Residential 36” Yard Signs 9-10-11

Name Riders Personalize your Rider with a photo 12-13

Complete Steel Frame Kit Special 14

Extra large Commercial Signs 15

Sterling Series Yard Signs 16-17-18

Sign Post kit 19

Sign Riders 20

Sign Stickers 21

Open House Signs 22

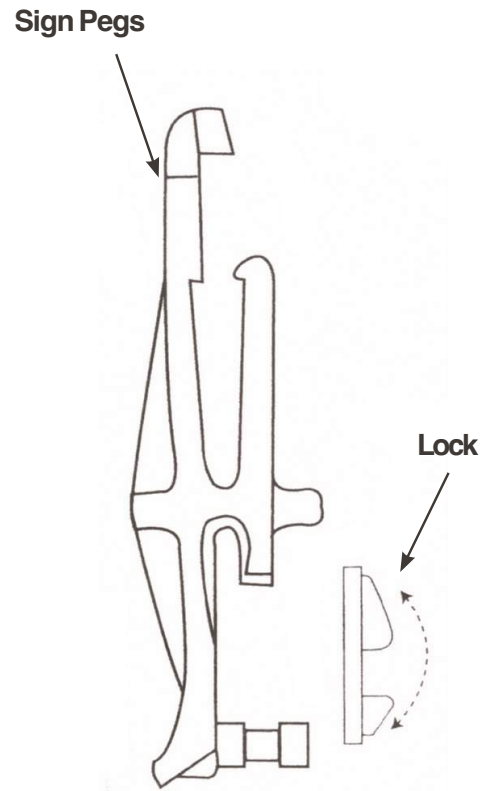
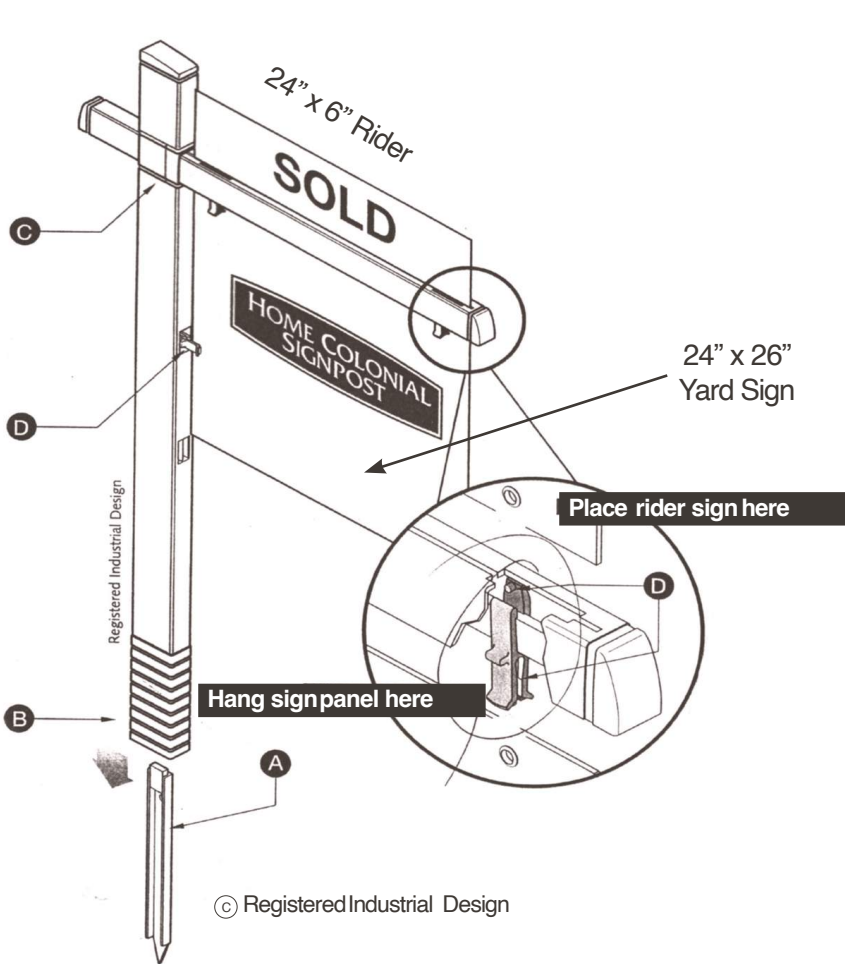
Directional Sign 23-24-25

Quick-up Directional Signs 26

Sign Accessories 27-29

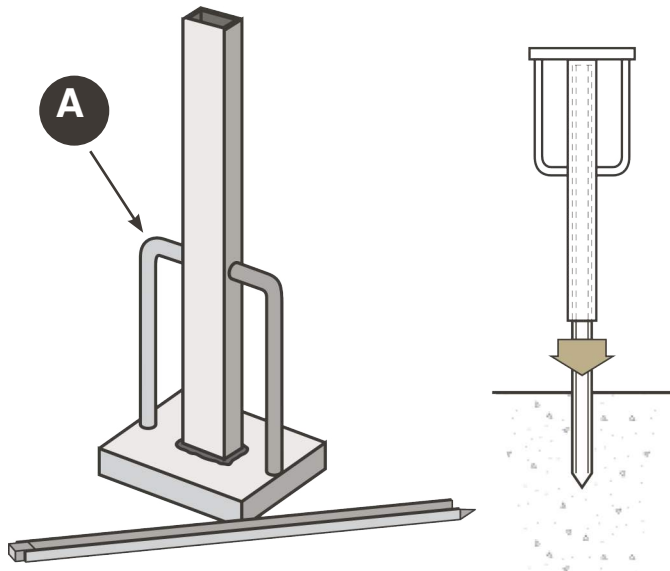
Order Form 30

The Iimagemaker Sign Post



(For hanging main sign panel beneath cross-arm, and, for attaching side of main sign panel to upright post to prevent swinging)

QUICK'N EASY



- A** Pound stake into soil using a stake hammer (stop at the yellow line):
- B** Slide upright portion of post onto top of stake;
- C** Slide crossarm portion into upright until snap;
- D** Insert sign pegs in post and hang sign panel;
- E** Slide messenger rider sign into slot of crossarm;

« Snap Assembly » Sign Post System

Main Post 60", CrossArm 36"

ITEM S2005P

Model A



White Post

Model B



Black Post

Includes sign post assembly & ground stake.

QTY:3 Per Box Model A = \$ 90.30 each post
 Model B = \$ 96.95 each post

Available in boxes of 3 only

Quick'n easy to install:

- A) Pound stake into ground with stake hammer
Item R7095, page 28
- B) Slide upright portion of post onto top of stake;
- C) Slide crossarm portion into upright until it snaps;
- D) Insert sign pegs in post until they clip, hang sign panel,
And then slide rider sign into slot of crossarm.

2 PRODUCT WARRANTY YEARS!*

*Your Imagemaker Signpost warranty covers all defects in materials and workmanship.

The following are not covered by the warranty:

- 1- Units on which the manufacture date has been Defaced, modified or removed.
- 2- Damage or deterioration resulting from:
 - A- Installation or removal of the signpost
 - B- Accident, misuse, abuse, neglect, Unauthorized product modification.
 - C- Installation of parts or accessories that do not conform to the quality or specification of the original sign post or accessories

Yard Signs 60" Sign Post System

ITEMS6005

Model A



Model B



24" x 18" CORRUGATED PLASTIC SIGN PANEL

DESCRIPTION:

- 4 mm coroplast sign panel
- Imprinted with DBA, phone number and website
- Standard 5 grommet hole pattern
- Choose from two color schemes

SPECIFICATIONS:

Model A B

5 grommets No grommets to fit steel frames

QUANTITY AND PRICE:

- 6 = \$ 23.80 / ea.
- 12 = \$ 22.40 / ea.
- 24 = \$ 21.00 / ea.

PRINTED 1 SIDE ONLY

- 6 = \$ 17.85 / ea.
- 12 = \$ 16.80 / ea.
- 24 = \$ 15.75 / ea.

Company Name: **Sutton**

DBA _____

B) Agent Phone Number : _____

C) Agent Website or Email: _____



Yard Signs 60" Sign Post System

ITEMS6010

Model A



Model B



Model C



24" x 26"

YARD SIGN WITH ASSOCIATE IDENTIFIER

DESCRIPTION:

- Printed 2 sides
- 4 mm coroplast office identification sign
- Imprinted with DBA, website, phone number and agent identifier

SPECIFICATIONS:

Model A B C

3 grommets No grommets

QUANTITY AND PRICE:

6 = \$ 33.60 / ea.

12 = \$ 32.20 / ea.

25 = \$ 30.80 / ea.

Company Name: **Sutton**

DBA _____

B) Website : _____

C) Office phone Number: _____

D) Agent Name: _____

E) Title: _____

Logos



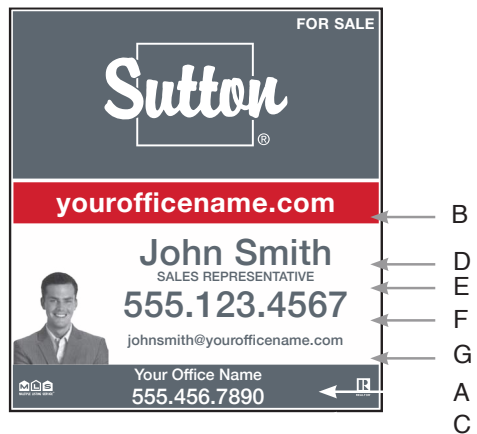
Yard Signs 60" Sign Post System

ITEMS6015

Model A



Model B



Model C



24" x 26"

YARD SIGN WITH ASSOCIATE IDENTIFIER & AGENT PHOTO

DESCRIPTION:

- Printed 2 sides
- 4 mm coroplast office identification sign
- Imprinted with DBA, website, phone number and Agent identifier
- 3 grommets (2 on top and 1 on left side of sign)

SPECIFICATIONS:

Model A B C

- 3 grommets No grommets
- Photo on file* Sending photo by email*

QUANTITY AND PRICE:

- 6 = \$ 33.60 / ea.
- 12 = \$ 32.20 / ea.
- 24 = \$ 30.80 / ea.

Company Name: **Sutton**

DBA _____

B) Website : _____

C) Office phone Number: _____

D) Agent Name: _____

E) Title: _____

F) Agent Phone Number: _____

G) Agent Website or Email: _____

Logos



* Note: For quality purpose, agent photos should be taken at the highest possible resolution, but no less than 5" x 5.5" at 300 dpi (dots per inch). Shoot photos in color.

**Please Photocopy
AND ATTACH TO ORDER FORM**

Yard Signs 60" Sign Post System

ITEMS6020

Model A



Logos



ITEMS6025

Model B



Logos



24"x 26" - Yard Sign With Associate Identifier

DESCRIPTION:

- Printed 1 side only
- 4 mm coroplast, office identification sign
- Imprinted with DBA, website and phone number

Model A B

6 = \$ 25.20 / ea.

12 = \$ 24.15 / ea.

24 = \$ 23.35 / ea.

Company Name: **Sutton**

A) DBA _____

B) Website: _____

C) Office Phone Number: _____

D) Agent Name: _____

E) Title: _____

24"x 26" Yard Sign With Associate Identifier

DESCRIPTION: DOUBLE

- 2 coroplast signs back to back glued 4 corners
- 4 mm coroplast office identification sign
- Imprinted with DBA, website and phone number

Model A B

6 = \$ 42.00 / ea.

12 = \$ 39.20 / ea.

24 = \$ 38.85 / ea.

Company Name: **Sutton**

A) DBA _____

B) Website: _____

C) Office Phone Number: _____

D) Agent Name: _____

E) Title: _____

36" Yard Signs

ITEMS6040

Model A



Model B



36" x 24" Yard Sign With Associate Identifier

DESCRIPTION:

- Printed 2 sides
- Imprinted with DBA, website and phone number
- 4 mm coroplast office & agent identification sign
- 5 grommets (2 on top, 1 left and 2 on left side)

Model A B

5 grommets No grommets

QUANTITY AND PRICE:

- 5 = \$ 53.20 / ea.
- 10 = \$ 49.00 / ea.
- 15 = \$ 46.20 / ea.
- 20 = \$ 43.40 / ea.

Company Name: **Sutton**

A) DBA _____

B) Website: _____

C) Office Phone Number: _____

Logos



**Please Photocopy
AND ATTACH TO ORDER FORM**

36" Yard Signs

ITEMS6035

Model A



Model B



36" x 32" Yard Sign With Associate Identifier with agent photo

DESCRIPTION:

- Printed 2 sides
- Imprinted with DBA, website and phone number
- 4 mm coroplast office & agent identification sign
- 3 grommets (2 on top and 2 on left side)

Model A B

3 grommets No grommets

Photo on file* Sending photo by email*

3 = \$ 58.80 / ea.

6 = \$ 56.00 / ea.

9 = \$ 53.20 / ea.

12 = \$ 50.40 / ea.

Company Name: **Sutton**

A) DBA _____

B) Website: _____

C) Office Phone Number: _____

D) Agent Name: _____

E) Title: _____

F) Agent Phone Number: _____

G) Agent Website or Email: _____

Logos



* Note: For quality purpose, agent photos should be taken at the highest possible resolution, but no less than 5" x 5.5" at 300 dpi (dots per inch). Shoot photos in color.

36" Yard Signs

ITEMS6030

Model A



Model B



36" x 32" Yard Sign With Associate Identifier

DESCRIPTION:

- **Printed 2 sides**

Choose from two color schemes!

Imprinted with DBA, Website and phone number

- 4 mm coroplast office & agent identification sign
- 4 grommets (2 on top and 2 on left side)

Model A B

- 3 = \$ 58.80 each
- 6 = \$ 56.00 each
- 9 = \$ 53.20 each
- 12 = \$ 50.40 each

A) Company Name: **Sutton**

DBA _____

B) Agent Name: _____

C) Title: _____

D) Agent Website or Email: _____

E) Agent Phone Number: _____

Logos



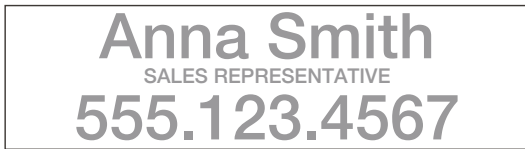
* Note: For quality purpose, agent photos should be taken at the highest possible resolution, but no less than 5" x 5.5" at 300 dpi (dots per inch). Shoot photos in color.

Please Photocopy
AND ATTACH TO ORDER FORM

Personalize Your Rider With a Photo

ITEMS6085

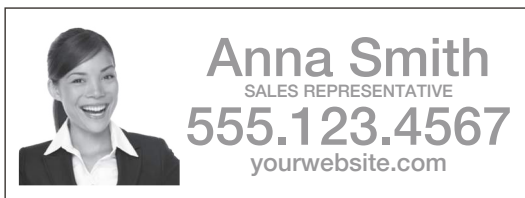
Model A



Model B



Model C



Model D



* Note: For quality purpose, agent photos should be taken at the highest possible resolution, but no less than 5" x 5.5" at 300 dpi (dots per inch). Shoot photos in color.

24" x 6 - Agent Name Riders

Description:

- Printed 2 sides
- 4 mm coroplast agent identification sign

Model A B

6 = \$ 13.30 / ea.

12 = \$ 11.90 / ea.

24 = \$ 10.50 / ea.

2 grommets:

Top Bottom

24" x 8 - Agent Name Riders

Description:

- Printed 2 sides
- 4 mm coroplast agent identification sign

Model C D (With photo 5.5" x 5.5")

6 = \$ 14.75 / ea.

12 = \$ 13.35 / ea.

24 = \$ 11.95 / ea.

2 grommets:

Top or Bottom

Sign Printing specifications:

A) Agent Name: _____

B) Title: _____

C) Agent Phone Number: _____

D) Agent Website or Email: _____

Photo on file

Sending photo by email

Personalize Your Rider With a Photo

ITEMS6045

Model A



Model B



Model C



Model D



36" x 8" Agent Name Rider

Description:

- Printed 2 sides
- 4 mm coroplast office identification sign

Sign model A B

6 = \$ 22.65 / ea.

12 = \$ 21.25 / ea.

24 = \$ 19.35 / ea.

2 grommets:

Top Bottom

A) Agent Name: _____

A) Title: _____

C) Agent Phone Number: _____

A) Website: _____

Sign model C D (With photo 6" x 6")

6 = \$ 23.60 / ea.

12 = \$ 22.20 / ea.

24 = \$ 20.30 / ea.

2 grommets:

Top Bottom

A) Agent Name: _____

A) Title: _____

C) Agent Phone Number: _____

A) Website: _____

* Note: For quality purpose, agent photos should be taken at the highest possible resolution, but no less than 5.5" x 5.5" at 300 dpi (dots per inch). Shoot photos in color.

Please Photocopy
AND ATTACH TO ORDER FORM

Complete Steel Frame Kit

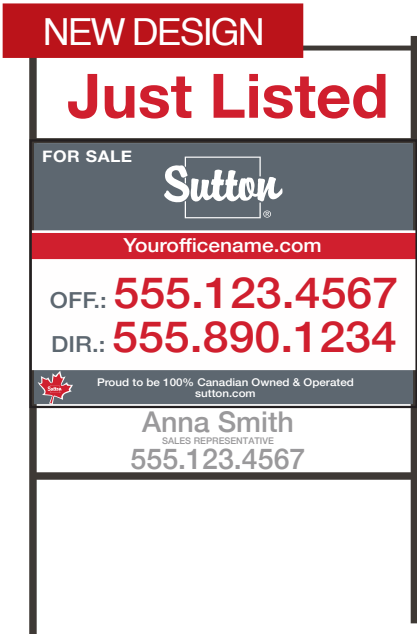
ITEMS6075



Logos



A value of \$ 900.00
for only **\$ 849.95**



SPECIAL

- (ITEM 6075) A) 8 STEELFRAMES (2 boxes)
- (ITEM 6005) B) 8 YARD SIGNS 24" x 18"
- Riders size 24" x 6"
- (ITEM 6085) C) 8 NAME RIDERS
- (ITEM 6090) D) 4 "NEW PRICE"
- (ITEM 6090) E) 4 "OPEN SUNDAY 2-4"
- (ITEM 6090) F) 4 "SOLD"

YARD SIGN PRINTING SPECIFICATIONS:

Company Name: **Sutton**

A) DBA _____

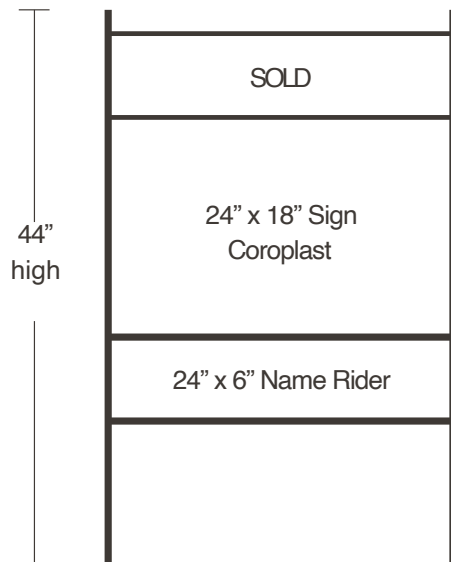
B) Website: _____

B) Office Phone Number: _____

C) Agent Name: _____

D) Title: _____

E) Agent Phone Number: _____



ITEMS7080

Steel Frame Item
See page 27

Please Photocopy
AND ATTACH TO ORDER FORM

Commercial Signs

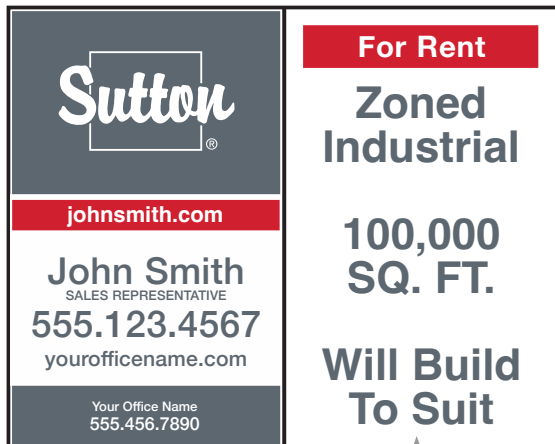
ITEMS6070

Model A



Sample Message

Model B



Sample Message

60" x 48" Extra Large Yard Sign

LARGE, PRINTED ONE SIDED COROPLAST SIGN IDEAL FOR INDUSTRIAL, COMMERCIAL BUILDINGS, OPEN LOTS AND ACREAGE.

Ready to install on buildings, etc. Coroplast signs are inexpensive to ship and easy to install.

Signs should be supported with wooden frame (1" x 3" furring).

DESCRIPTION:

- Printed 1 side only
- 6 mm coroplast office identification sign.

SPECIFICATIONS:

Model A B

QUANTITY AND PRICE:

- 1 = \$ 189.00 / ea.
- 3 = \$ 179.20 / ea.
- 6 = \$ 168.00 / ea.

YARD SIGN PRINTING SPECIFICATIONS:

Company Name: **Sutton**

A) DBA _____

B) Website: _____

C) Office Phone Number: _____

D) Agent name: _____

E) Title: _____

F) Agent Phone Number: _____

G) Agent Website or Email: _____

H) Slogan or Message: _____

**Please Photocopy
AND ATTACH TO ORDER FORM**

60" Sign post system

ITEMS6050

Model A



24" x 30" Sterling Series Sign

DESCRIPTION:

- 4 mm coroplast office identification sign
- Imprinted with DBA, website, phone number

SPECIFICATIONS:

- 4 grommets no grommets

QUANTITY AND PRICE: PRINTED 2 SIDES

- 3 = \$ 42.00 / ea.
 6 = \$ 36.40 / ea.
 12 = \$ 35.00 / ea.
 24 = \$ 33.60 / ea.

Riders 24" x 8

Die-Cut

- 3 = \$ 24.50 each



* Note: For quality purpose, agent photos should be taken at the highest possible resolution, but no less than 5.5" x 5.5" at 300 dpi (dots per inch). Shoot photos in color.

60" Sign post system

ITEMS6055



SPECIAL

COMPLETE Global Luxury SIGN POST KIT

DESCRIPTION:

- A) 3 IMAGE MAKER 60" BLACK SIGN POSTS (1 box) complete with ground stakes & 3 extra pegs
- B) 3 Yard signs (24" x 32")
- C) 3 Personalized riders with photo



Forward photo in 300 DPI by e-mail to : HcsSigns@Sympatico.ca

- Photo on file
- Sending photo by email

Logos



Company Name: **Coldwell Banker**

- A) DBA _____
- B) Agent name: _____
- C) Agent Phone Number: _____
- D) Agent Website or Email: _____

* Note: For quality purpose, agent photos should be taken at the highest possible resolution, but no less than 5.5" x 5.5" at 300 dpi (dots per inch). Shoot photos in color.

Please Photocopy
AND ATTACH TO ORDER FORM

60" Sign post system

SPECIAL

ITEMS9000A

COMPLETE SIGN POST KIT WITH PICTURE

Model A

DESCRIPTION:

- A) 6 IMAGE MAKER 60" SIGN POSTS (2 boxes)
complete with ground stakes & pegs
- B) 6 Yard signs (24" x 26") with associated identifier
- C) 12 Message riders (24" x 6")
 - 3 "NEW PRICE"
 - 3 "Open Sunday 2 to 4"
 - 3 "JUST LISTED"
 - 3 "SOLD"

Photo on file* Sending photo by email*

Logos

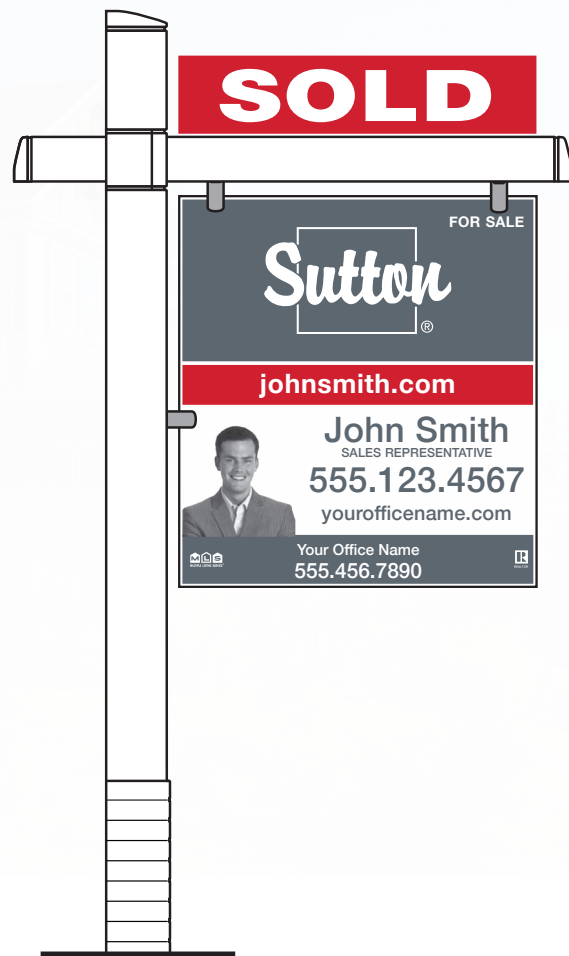


CompanyName: **Sutton**

- A) DBA _____
- B) Agent name: _____
- C) Title: _____
- D) Agent Phone Number: _____
- E) Agent Email: _____
- F) Agent Website: _____

* Note: For quality purpose, agent photos should be taken at the highest possible resolution, but no less than 5.5" x 5.5" at 300 dpi (dots per inch). Color photos can be used.

Please E-mail photo to: HcsSigns@Sympatico.ca



A value of \$ 886.20
for only **\$ 829.95**

Please Photocopy
AND ATTACH TO ORDER FORM

60" Sign post system

ITEMS9000B

SPECIAL

COMPLETE SIGN POST KIT WITH PICTURE

Model B

DESCRIPTION:

A) 6 IMAGE MAKER 60" SIGN POSTS (2 boxes)

complete with ground stakes & pegs

B) 6 Yard signs (24" x 26") with associated identifier

C) 12 Message riders (24" x 6")

• 3 "NEW PRICE"

• 3 "Open Sunday 2 to 4"

• 3 "JUST LISTED"

• 3 "SOLD"

Photo on file* Sending photo by email*

Logos



Company Name: **Sutton**

A) DBA _____

B) Agent name: _____

C) Title: _____

D) Agent Phone Number: _____

E) Agent Email: _____

F) Agent Website: _____

* Note: For quality purpose, agent photos should be taken at the highest possible resolution, but no less than 5.5" x 5.5" at 300 dpi (dots per inch). Color photos can be used.

Please E-mail photo to: HcsSigns@Sympatico.ca



A value of \$ 926.10
for only **\$ 879.95**

Please Photocopy
AND ATTACH TO ORDER FORM

ITEMS6090

Special Features And Activities / DESCRIPTION:

Printed 2 sides on 4 mm coroplast sign riders (white coroplast can be translucent in very bright areas)

SOLD

SOLD

SOLD

SOLD

Model: **A**

B

C

D

24" x 6"	24" x 8"	36" x 6"	36" x 8"
<input type="checkbox"/> 6 = \$ 13.30 each	<input type="checkbox"/> 6 = \$ 14.25 each	<input type="checkbox"/> 6 = \$ 21.70 each	<input type="checkbox"/> 6 = \$ 22.65 each
<input type="checkbox"/> 12 = \$ 11.90 each	<input type="checkbox"/> 12 = \$ 12.85 each	<input type="checkbox"/> 12 = \$ 20.30 each	<input type="checkbox"/> 12 = \$ 21.25 each
<input type="checkbox"/> 24 = \$ 10.50 each	<input type="checkbox"/> 24 = \$ 11.45 each	<input type="checkbox"/> 24 = \$ 18.90 each	<input type="checkbox"/> 24 = \$ 19.85 each
<input type="checkbox"/> 50 = \$ 10.20 each	<input type="checkbox"/> 50 = \$ 11.15 each	<input type="checkbox"/> 50 = \$ 18.40 each	<input type="checkbox"/> 50 = \$ 19.35 each
<input type="checkbox"/> 100 = \$ 9.95 each	<input type="checkbox"/> 100 = \$ 10.90 each	<input type="checkbox"/> 100 = \$ 17.95 each	<input type="checkbox"/> 100 = \$ 18.90 each

Grommets: Top Bottom Center for steel frames None

NOTE: Minimum of 6 signs, no mixing

Sign #'s: _____ Quantity: _____

Ajouts en Français

Description: _____

7 0 0 Commercial	7 1 2 Open	7 2 3 Open House	7 3 8 Open Sunday 2-4	7 5 1 Must See Inside!
7 0 1 Office	7 1 3 Auction	7 2 4 For Lease	7 4 0 Model Open	7 5 2 New Price!
7 0 2 3 Bedroom	7 1 4	7 2 7 Lot	7 4 1 Farm	7 5 3 Open Sunday 1-3
7 0 5 Lakefront	7 1 5 Open Sunday 1-4	7 2 8 Sale Pending	7 4 2 Open Saturday	7 5 4 Open Sat. ___ to ___
7 0 6 Swimming Pool	7 1 6 For Sale	7 2 9 Rentals	7 4 3 Open Sunday	7 5 6 Lake Rights
7 0 7 By Appt. Only	7 1 7 Owner Finance	7 3 0 Waterfront	7 4 4 Sold <small>But, we Have Others</small>	7 5 7 Lot #
7 0 8 Sold	7 1 8 Exclusive	7 3 1 Income Property	7 4 5 Acreage	7 5 8 Just Listed
7 0 9 2 Family	7 1 9 Lots	7 3 2 Open House	7 4 8 Duplex	7 5 9 In Contract
7 1 0 4 Bedroom	7 2 0 Price Reduced	7 3 3 For Rent	7 4 9 Home For Sale	7 6 0 Multi-Family
7 1 1 ___ Acres	7 2 2 Available	7 3 5 Build To Suit	7 5 0 Home Warranty	7 6 1 Condo

ITEM C6095 CUSTOM VINYL GRAPHIC STICKERS

- Blacksticker, white lettering Size of Sticker: _____
- White sticker, black lettering
- Transparent sticker, white or black lettering

Message print: _____

ITEM C7000 WHITE OR BLACK STICKERS WITH BLACK OR WHITE LETTERING

SIZE	QUANTITY			
<input type="checkbox"/> 15" X 3"	15 \$4.85 each	25 \$3.65 each	50 \$3.25 each	100 \$2.20 each
<input type="checkbox"/> 21" X 3"	\$5.45 each	\$4.15 each	\$3.75 each	\$3.15 each

Message print: _____

ITEM C7005 TRANSPARENT STICKERS WITH WHITE OR BLACK

SIZE	QUANTITY			
<input type="checkbox"/> 15" X 4"	15 \$5.65 each	25 \$4.15 each	50 \$3.65 each	100 \$3.40 each

Message print: _____

ITEM C7010 EXTRA LARGE PERSONALIZED STICKERS

SIZE	QUANTITY	
<input type="checkbox"/> 24" X 7.5"	15 \$10.70 each	25 \$8.50 each

Message print: _____

ITEMS7015

Model A



Model B



Model C



Model D



24" x 18" Open House Signs

DESCRIPTION:

- Printed 1 side only
 - 4 mm coroplast sign
- Minimum order = 12

SPECIFICATIONS:

MODEL A B C D

Writing in red arrow:

- FOR SALE → QTY: _____ ← QTY: _____
- OPEN HOUSE → QTY: _____ ← QTY: _____
- 12 = \$ 16.80 / ea.
- 24 = \$ 15.75 / ea.
- 50 = \$ 14.70 / ea.

Yard Sign Printing Specifications:

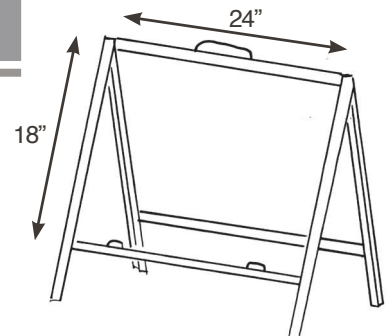
Company Name: **Sutton**

- A) DBA: _____
- B) Agent name: _____
- C) Title: _____
- D) Agent Phone Number: _____
- E) Agent website or Email: _____

ITEMC7070

page 29

These signs work well with this A-Frame.



and Stakes

ITEMS7025



- 10 = \$ 43.25 each (2 boxes)
- 15 = \$ 41.15 each (3 boxes)
- 25 = \$ 39.05 each (5 boxes)

24" x 12" - Directional Sign With Step Stake

DESCRIPTION:

- 2 X 4 mm coroplast signs glued back to back
- Includes step stake, nuts and bolts
- Imprinted with DBA and Agent identifier
- Weight: 4.75 lbs each

Choose from two color schemes!

Model A B

Specify: OPENHOUSE FOR SALE
AGENTPHOTO ADDRESS

SIGN PRINTING SPECIFICATIONS:

- A) Company Name: **Sutton**
DBA _____
- B) Agent Name: _____
- C) Title: _____

ITEMS7030



- 20 = \$ 13.30 each
- 30 = \$ 12.35 each
- 50 = \$ 11.25 each

24" x 12" - Single Sided Directional Sign

DESCRIPTION:

- 1 X 4 mm coroplast sign
- Printed one side only
- Imprinted with DBA and Agent identifier

Choose from two color schemes!

Model A B

Specify: OPENHOUSE FOR SALE

Indicate direction of arrow:

Arrow Right \longrightarrow QTY: _____

Arrow Left \longleftarrow QTY: _____

- A) Company Name: **Sutton**
DBA _____
- B) Agent Name: _____
- C) Title: _____

Please Photocopy
AND ATTACH TO ORDER FORM

and Stakes

ITEMS7051



Little House Die-Cut Sign 18" X 18" Directional sign with step stake

DESCRIPTION:

- 2 X 4 mm coroplast signs glued back to back
- Printed 1 side only
- Includes step stake, nuts and bolts
- Weight: 4.75 pounds each

SPECIFICATIONS:

FOR SALE •QTY:_____ OPEN HOUSE •QTY:_____

QUANTITY AND PRICE: (NO MIXING)

- 10 = \$ 52.85 / ea. (2 boxes)
- 15 = \$ 50.75 / ea. (3 boxes)
- 25 = \$ 48.65 / ea. (5 boxes)

Company Name: **Sutton**

- A) DBA _____
- B) Agent name: _____
- C) Title: _____
- D) Agent Phone Number: _____

ITEMS7052



Single Sided Little House Directional Signs

DESCRIPTION:

- 4 mm coroplast sign
- Printed 1 side only

SPECIFICATIONS:

FOR SALE → QTY:_____ ← QTY:_____

OPEN HOUSE → QTY:_____ ← QTY:_____

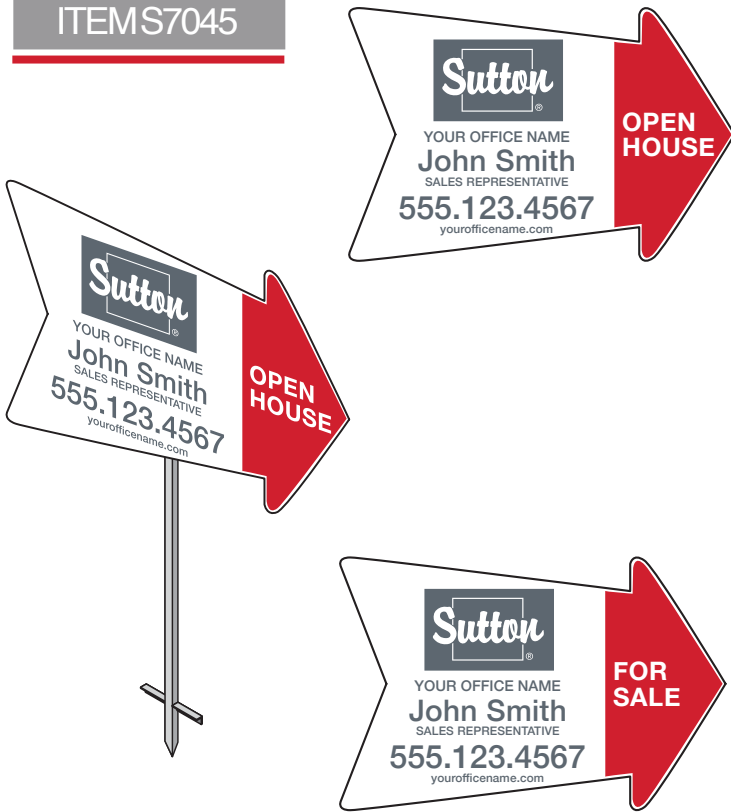
QUANTITY AND PRICE: (NO MIXING)

- 20 = \$ 17.95 / ea. *Minimum order 10 per direction*

Company Name: **Sutton**

- A) DBA _____
- B) Agent name: _____
- C) Title: _____
- D) Agent Phone Number: _____

ITEMS7045



24" X 18" Arrow Die-Cut Sign Directional sign with step stake

DESCRIPTION:

- 2 X 4 mm coroplast signs glued back to back
- Printed 1 side only
- Includes step stake, nuts and bolts
- Weight: 4.75 pounds each

SPECIFICATIONS:

FOR SALE • QTY: _____ OPEN HOUSE • QTY: _____

QUANTITY AND PRICE: NO MIXING

- 10 = \$ 54.95 / ea. (2 boxes)
- 15 = \$ 52.85 / ea. (3 boxes)
- 25 = \$ 50.75 / ea. (5 boxes)

Company Name: **Sutton**

A) DBA _____

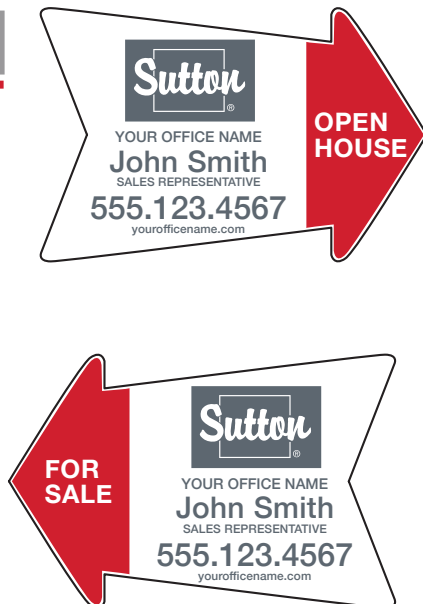
B) Agent name: _____

C) Title: _____

D) Agent Phone Number: _____

E) Website or Email: _____

ITEMS7050



Single Sided Arrow Directional Signs

DESCRIPTION:

- 4 mm coroplast sign
- Printed 1 side only

SPECIFICATIONS:

FOR SALE → QTY: _____ ← QTY: _____
 OPEN HOUSE → QTY: _____ ← QTY: _____

QUANTITY AND PRICE:

NOMIXING- Minimum order 10 per direction

- 20 = \$ 19.00 each
- 50 = \$ 16.00 each

Company Name: **Sutton**

A) DBA _____

B) Agent name: _____

**Please Photocopy
AND ATTACH TO ORDER FORM**

ITEMS7055

Model A



Model B



24" X 12" Directional Sign With Wire Stakes

DESCRIPTION:

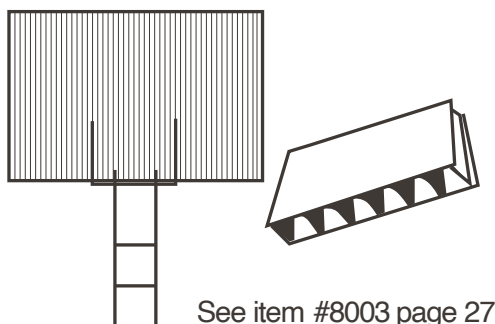
- Printed 2 sides
- With 30" galvanized wire stakes
- Use these lightweight, moisture proof, 4 mm corrugated plastic signs where cost is a factor. They will fit our H-Frame Wire Stakes (sold separately. Signs are available with vertical flutes only and are printed on both sides. Personalized at no extra charge
- Weight: 4.75 pounds each

YARD SIGN PRINTING SPECIFICATIONS:

- A) Company Name: **Sutton**
- B) DBA _____
- C) Title: _____
- D) Agent name: _____
- E) Agent Phone Number: _____
- Specify: OPENHOUSE or FORSALE

MODEL A B

- 12 Directional signs & stakes = \$ 22.75 / ea. (1 box)
- 24 Directional signs & stakes = \$ 21.35 / ea. (2 boxes)
- 36 Directional signs & stakes = \$ 20.95 / ea. (3 boxes)



See item #8003 page 27

Galvanized Wire Stake

- 10" X 30" galvanised stake
- 1/8" Wire construction
- For use with 4mm Corrugated sign panels
- Affordable and easy to use

Please Photocopy
AND ATTACH TO ORDER FORM

ITEMS7080

Residential Steel Yard Frame

No installer necessary, quick and easy to install

DESCRIPTION:

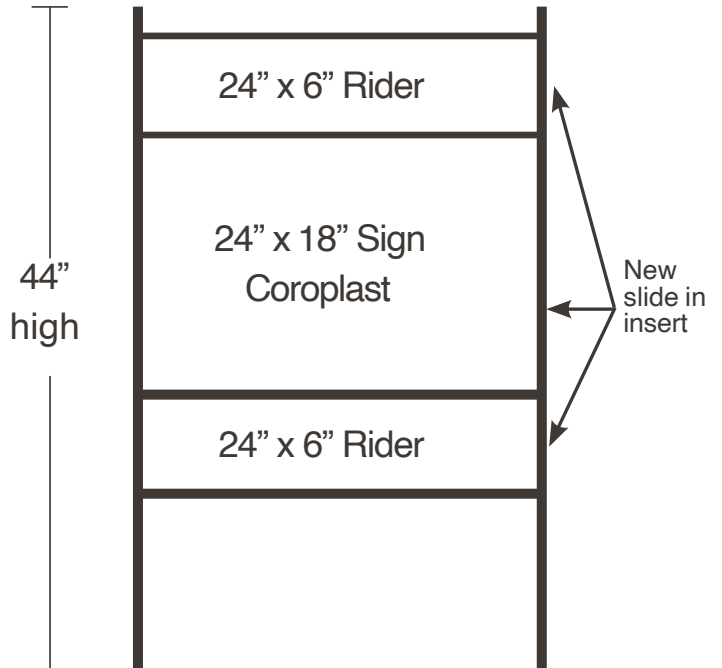
- Accomodates our 24" x 18" 4 mm Coroplast sign (Item #6005) and hasspecial feature for holding sign riders 24" x 6"
- Black powder coat
- 3/4" Steel angle frame
- Package of 4 per box

QUANTITY AND PRICE:

Qty: _____

- 4-20 = \$ 57.20 each frame
- 21-100 = \$ 53.90 each frame

NEW DESIGN



ITEMC8003

Quick-Up Coro Stakes

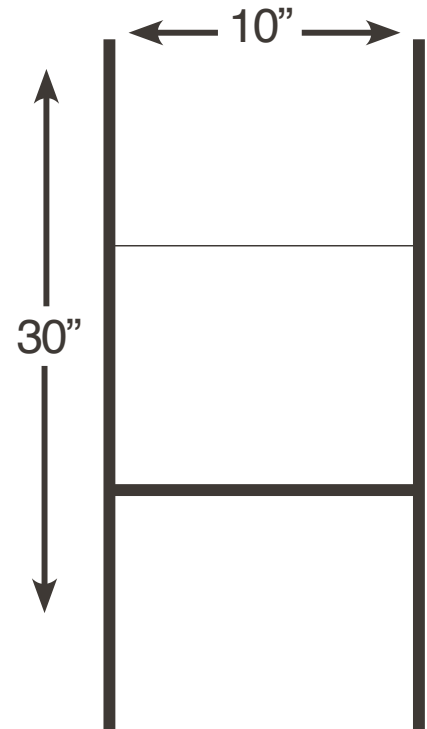
Quick-Up Coro Stakes

DESCRIPTION:

- 1/8" Galvanized Wire Stakes
- Maximum signs size: 24" X 18"
- Doesnot include sign panels
- 12 wire stakes per box

PRICE:

\$ 63.00 per box



**Please Photocopy
AND ATTACH TO ORDER FORM**

ITEMS7085

Extra Yard Sign Ground Stakes

DESCRIPTION:

- Powder coated
- Available only in a packages of 3 ground stakes

PRICE:\$ 48.00 per package



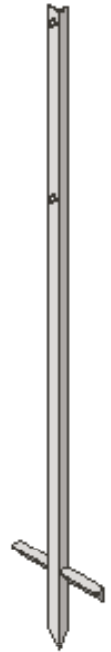
ITEMS7090

Step Stakes

DESCRIPTION:

- Step Stake 48"
- Weight: 2.75 lbs each
- 5 per box (minimum order of 5)
- Includes nylon nuts, bolts and washers
- Powder coated

PRICE:\$ 74.25 per box



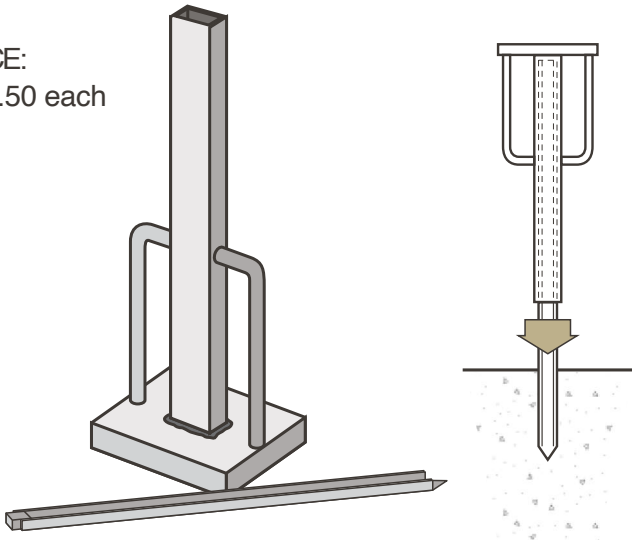
ITEMS7095

Stake Hammer

DESCRIPTION:

- For installing sign stakes
- Avoid flaring top of steel stakes
- Weight: 15 lbs.
- Powder coated

PRICE:
\$ 74.50 each



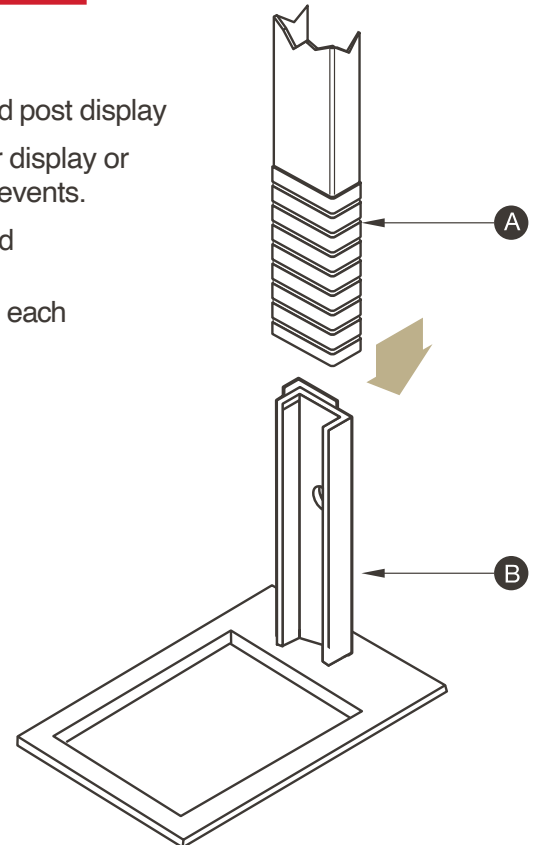
ITEMS8000

Portable Display Base

DESCRIPTION:

- Office sign and post display
- To be used for display or office special events.
- Powder coated

PRICE:\$ 51.20 each



ITEMS7060

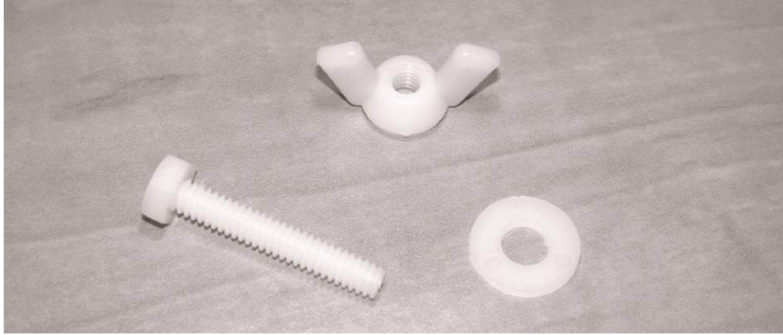
Step Stake Nuts And Bolts

DESCRIPTION:

- 1 Bag = 10 bolts
- 10 wing nuts
- 20 washers

PRICE:

\$4.70 each bag



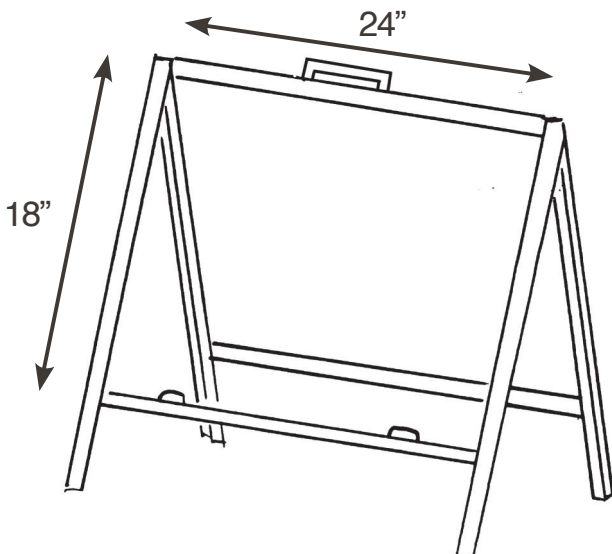
ITEMS7070

A-Frame or Tent Frame

DESCRIPTION:

- Powder coated For OPENHOUSE, FOR SALE and DIRECTIONAL
- Available only in boxes of 4

PRICE: \$ 42.90 each frame



Please Photocopy
AND ATTACH TO ORDER FORM

ITEMS7065

Sign Pegs

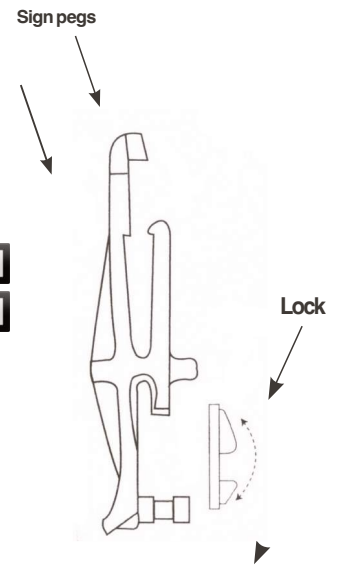
DESCRIPTION:

- Plastic Sign Holder Pegs
- Packages of 9

Model A (White)

Model B (Black)

PRICE: \$ 22.00 per bag



ITEMS7075

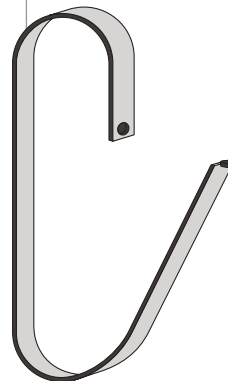
Rider Sign Hanger Clips

DESCRIPTION:

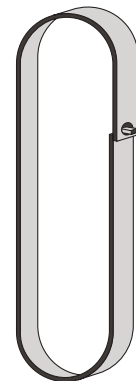
- 100% Stainless Steel Clips, For Hanging Name Rider Signs
- 36 clips per bag

PRICE: \$ 29.30 per bag

OPEN



CLOSE





HOME COLONIAL SIGNPOST

DIVISION OF ROBWOOD INC

1699 Station Road, Mascouche, QC J7L2J6

E-mail: HcsSigns@Sympatico.ca

Tel.: 450.477.2828

Fax: 450.477.6819



IMAGEMAKER[®]
[The]

