

HOME COLONIAL SIGNPOST

DIVISION OF ROBWOOD INC



WE SHIP ACROSS CANADA



RE/MAX®

FOR CATALOGUE UPDATES AND SALE'S PROMOTIONS, PLEASE REFER TO
HomeColonialSignpost.com

REAL ESTATE YARD SIGN CATALOGUE 2024 rev 4

TEL.: 450-477-2828 • FAX: 450-477-6819 • E-mail: HcsSigns@Sympatico.ca



Applicable to all of Canada except Ontario
Each RE/MAX Office is Independently Owned and Operated. ® Registered trademark of RE/MAX Real Estate LLC,
used under license. TM Trademark of RE/MAX Real Estate LLC, used under license.

Applicable to Ontario only
Independently Owned and Operated. ® Registered trademark of RE/MAX Real Estate LLC,
used under license. TM Trademark of RE/MAX Real Estate LLC, used under license.



How to assemble and install 4

Imagemaker Sign post System 5

Residential Yard Sign 24” X 18” 6

Residential Yard Sign 24” X 30” 7

Residential Yard Sign 36” X 24” 8

Re/max Collection 24” X 30” 9

Sign Riders 30” X 6” 10

Sign Riders 24” X 6” 11

Complete Steel Frame Kit..... 12

Special Complete Sign post Kit 13

Extra Large Commercial Signs 48” X 48” 14

Extra Large Commercial Signs 60” X 48” 15

Sign Riders 16

Sign Stickers 17

Open House Signs..... 18-19

Directional Signs..... 20-21

Sign Accessories 22-23

Steel Yard Frames 24

Personal Promotional Products..... 25-26

Order Form 27

* WHITE COROPLAST CAN BE TRANSLUCENT IN VERY BRIGHT AREAS.

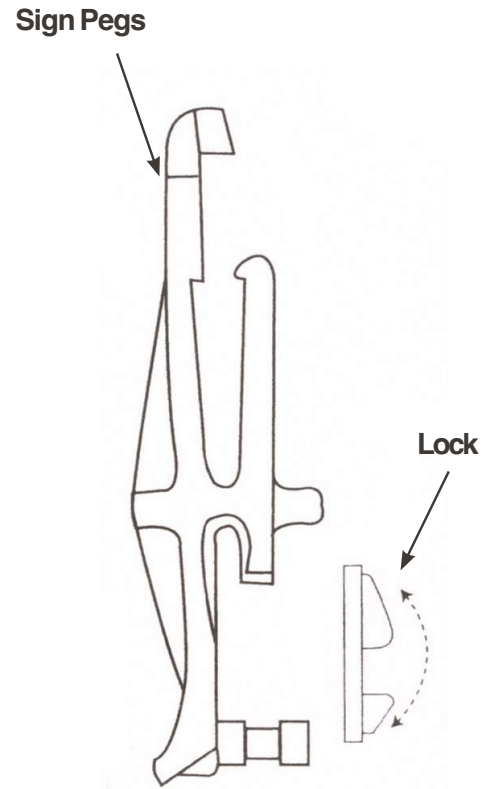
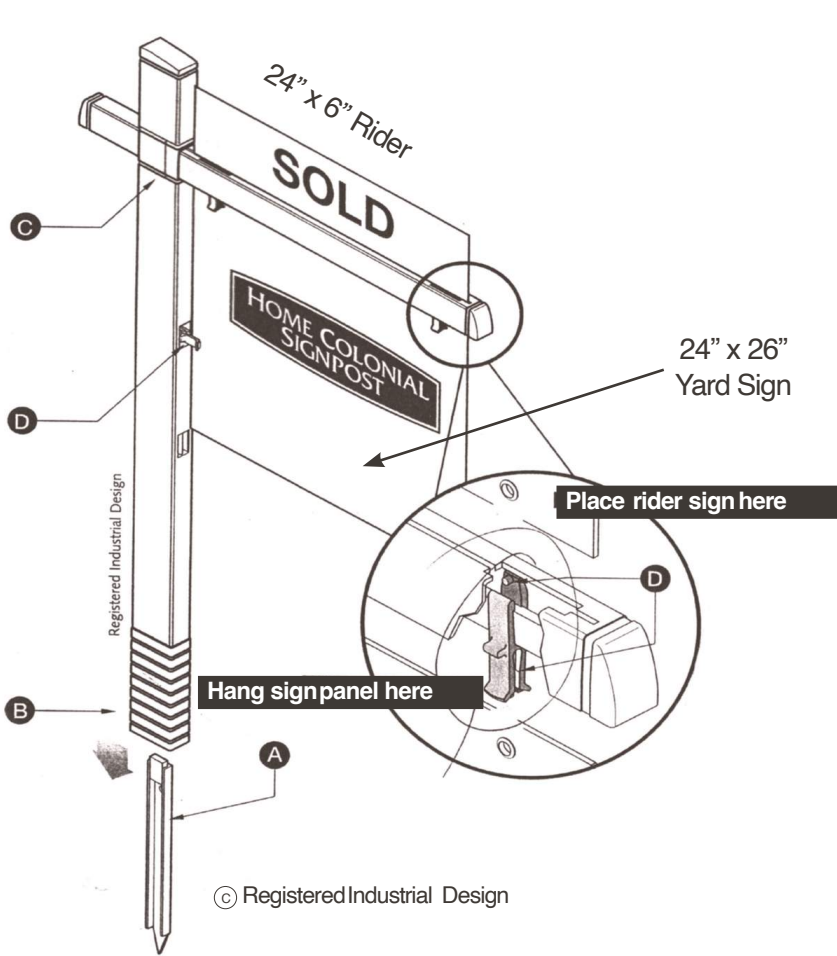
Need a catalogue?

Download it from our website HomeColonialSignpost.com

Applicable to all of Canada except Ontario Each Remax Office is Independently Owned and Operated.

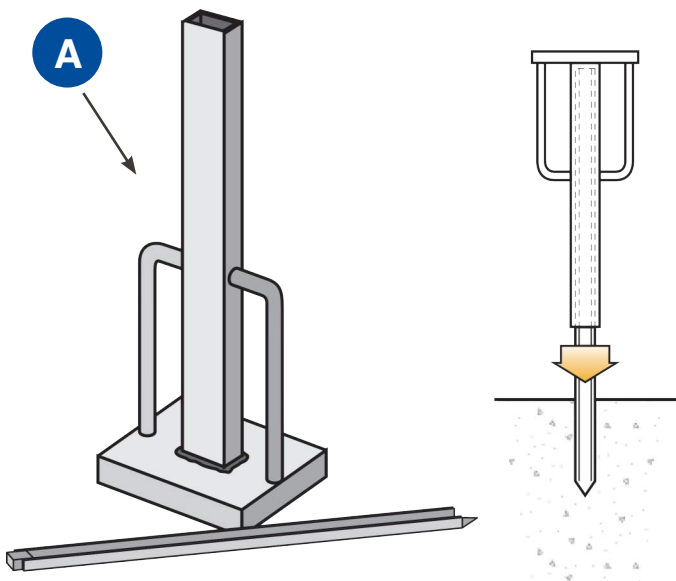
Applicable to Ontario only Independently Owned and Operated.

The Igemaker Sign Post



(For hanging main sign panel beneath cross-arm, And, for attaching side of main sign panel to upright post to prevent swinging)

QUICK'N EASY



- A** Pound stake into soil using a stake hammer (stop at the yellow line):
- B** Slide upright portion of post onto top of stake;
- C** Slide crossarm portion into upright until snap;
- D** Insert sign pegs in post and hang sign panel;
- E** Slide message rider sign into slot of crossarm;

« Snap Assembly » Sign Post System

ITEM X2005P

Model A



White Post

Includes sign post assembly & ground stake.

QTY: 3 Per Box

Model A (White) Post 60" = \$ 90.30 each post

Available in boxes of 3 only

Quick'n easy to install:

- A) Pound stake into ground with stake hammer
Item #7095, page 23
- B) Slide upright portion of post onto top of stake;
- C) Slide cross arm portion into upright until it snaps;
- D) Insert sign pegs in post until they clip, hang sign panel and then slide rider sign into slot of cross arm.



PRODUCT WARRANTY YEARS!*

*Your Imagemaker Signpost warranty covers all defects in materials and workmanship.

The following are not covered by the warranty:

- 1- **Units on which the manufacture date has been Defaced, modified or removed.**
- 2- **Damage or deterioration resulting from:**
 - A- Installation or removal of the signpost.
 - B- Accident, misuse, abuse, neglect, unauthorized product modification.
 - C- Installation of parts or accessories that do not conform to the quality or specification of the original sign post or accessories.

Please Photocopy
AND ATTACH TO ORDER FORM

Yard Signs 60” Sign Post System

ITEM X6005

**24” x 18”
YARD SIGN WITH ASSOCIATE IDENTIFIER**

DESCRIPTION:

- 4 mm coroplast sign panel
- Imprinted with DBA, phone number and website
- Standard 5 grommet hole pattern

SPECIFICATIONS:

- 5 grommets
- no grommets
- to fit steel frames

QUANTITY AND PRICE: PRINTED 2 SIDES

- 6 = \$ 23.80 / ea.
- 12 = \$ 22.40 / ea.
- 24 = \$ 21.00 / ea.

PRINTED 1 SIDE ONLY

- 6 = \$ 17.85 / ea.
- 12 = \$ 16.80 / ea.
- 24 = \$ 15.75 / ea.

Model 24” x 18”



LOGOS:



Company Name: **RE/MAX**

DBA _____

A) Agent Name: _____

B) Agent Phone Number : _____

C) Agent Website or Email: _____

D) Office Phone Number: _____

**Please Photocopy
AND ATTACH TO ORDER FORM**

Yard Signs 60" Sign Post System

ITEM X6021

**24" x 30"
YARD SIGN WITH ASSOCIATE IDENTIFIER**

DESCRIPTION:

- 4 mm coroplast sign panel
- Imprinted with DBA, website and phone number

SPECIFICATIONS:

4 grommets

no grommets

QUANTITY AND PRICE: PRINTED 2 SIDES

6 = \$36.40 / ea.

12 = \$35.00 / ea.

24 = \$33.60 / ea.

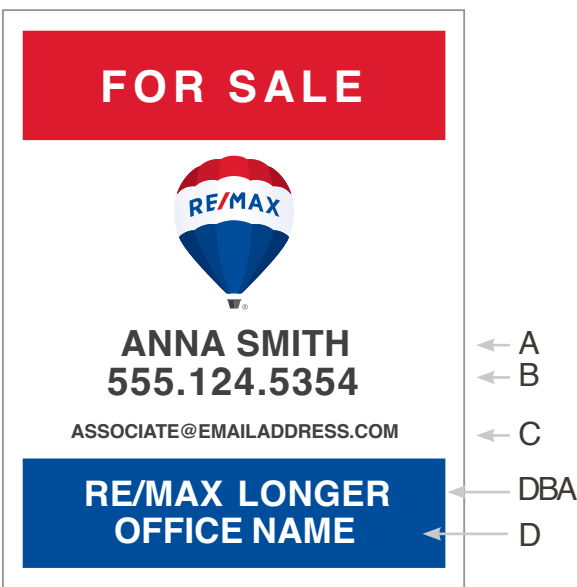
PRINTED 1 SIDE ONLY

6 = \$27.30 / ea.

12 = \$26.25 / ea.

24 = \$25.20 / ea.

Model 24" x 30"



LOGOS:



Company Name: **RE/MAX**

DBA _____

A) Agent Name: _____

B) Agent Phone Number : _____

C) Agent Website or Email: _____

D) Office Phone Number: _____

* Note: For quality purpose, agent photos should be taken at the highest possible resolution, but no less than 6" x 6" at 300 dpi (dots per inch). Shoot photos in color.

**Please Photocopy
AND ATTACH TO ORDER FORM**

Yard Signs

ITEM X6040

36" x 24" CORRUGATED PLASTIC SIGN PANEL

DESCRIPTION:

- 4 mm coroplast sign panel
- Imprinted with DBA, website and phone number
- Standard 5 grommets hole pattern

SPECIFICATIONS:

- 5 grommets
- No grommets

QUANTITY AND PRICE: **PRINTED 2 SIDES**

- 5 = \$53.20 / ea.
- 10 = \$49.00 / ea.
- 15 = \$46.20 / ea.
- 20 = \$43.40 / ea.

Model 36" x 24"



LOGOS:



Company Name: **RE/MAX**
DBA

A) Agent Name: _____

B) Title: _____

C) Agent Phone Number: _____

D) Agent Email: _____

E) Agent Website: _____

F) Office Phone Number: _____

ITEM X6060

24" x 30"

RE/MAX COLLECTION

FINE HOMES & LUXURY PROPERTIES

DESCRIPTION:

- 4 mm coroplast office identification sign
- Imprinted with DBA, website, phone number

SPECIFICATIONS:

- 4 grommets
- no grommets

QUANTITY AND PRICE: **PRINTED 2 SIDES**

- 3 = \$42.00 / ea.
- 6 = \$36.40 / ea.
- 12 = \$35.00 / ea.
- 24 = \$33.60 / ea.

Model 24" x 30"



LOGOS:



Company Name: **RE/MAX**

DBA _____

A) Agent Name: _____

B) Agent Phone Number: _____

C) Office Phone Number: _____

Your Sign Message: _____

Please Photocopy
AND ATTACH TO ORDER FORM

ITEM X6045

Model 30" x 6"

PROPERTY INFORMATIONASSOCIATE NAME (OPTIONAL) OR
PROPERTY INFORMATIONTEAM NAME (OPTIONAL) OR
PROPERTY INFORMATION**CONTACT INFORMATION**

ANNIE SMITH 555.124.5354

**30" x 6"
AGENT NAME RIDERS****DESCRIPTION:**

- 4 mm coroplast agent identification sign
- Available in blue or red print

SPECIFICATIONS:

2 grommets:

 Top Bottom**QUANTITY AND PRICE: PRINTED 2 SIDES** 1 = \$24.70 / ea. 6 = \$21.70 / ea. 12 = \$20.30 / ea. 25 = \$18.90 / ea.

A) Agent Name:

B) Title:

C) Agent Phone Number:

D) Agent Website or Email:

ITEM X6085

Model 24" x 6"

PROPERTY INFORMATION

ASSOCIATE NAME (OPTIONAL) OR PROPERTY INFORMATION

TEAM NAME (OPTIONAL) OR PROPERTY INFORMATION

CONTACT INFORMATION

ANNIE SMITH
555.124.5354

 **ANNIE SMITH**
555.124.5354

 **MIRACLE HOME**

24" x 6"
AGENT NAME RIDERS

DESCRIPTION:

- 4 mm coroplast agent identification sign
- Available in blue or red print

SPECIFICATIONS:

2 grommets:

- Top
- Bottom
- Center print for steel frame

QUANTITY AND PRICE: PRINTED 2 SIDES

- 6 = \$13.30 / ea.
- 12 = \$11.90 / ea.
- 24 = \$10.50 / ea.

- A) Agent Name: _____
- B) Title: _____
- C) Agent Phone Number: _____
- D) Agent Website or Email: _____

* Note: For quality purpose, agent photos should be taken at the Highest possible resolution, but no less than 6" x 6" at 300 dpi (dots per inch). Shoot photos in color.

Please Photocopy
AND ATTACH TO ORDER FORM

Complete Steel Frame Kit

ITEM X6075

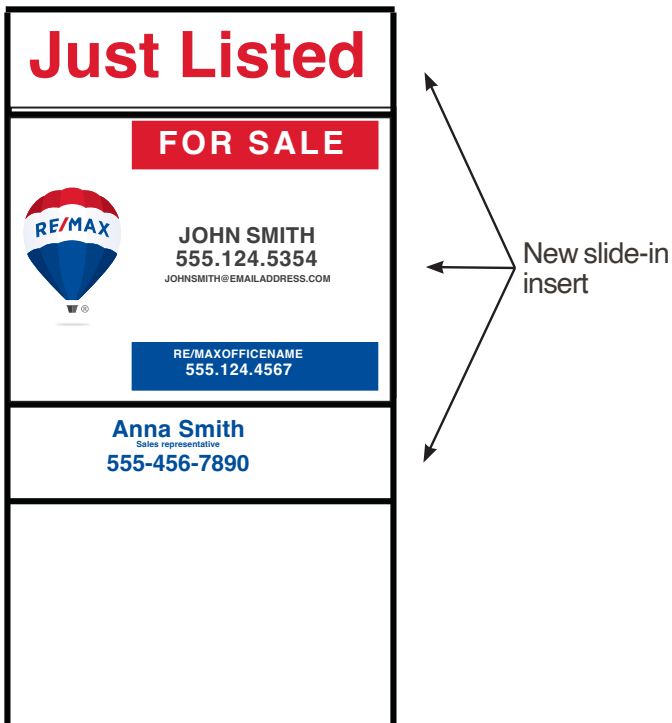
Model L 24" x 18"



LOGOS:



A value of \$900.00
for only **\$849.95**



- ITEM X7080** A) 8 Steel frames (2 boxes)
- ITEM X6005** B) 8 Yard Signs 24" X 18"
- ITEM X6085** C) 8 Name Riders 24" X 6"
- ITEM X6090** D) 4 "Just Listed" 24" X 6"
- ITEM X6090** E) 4 "Open Sunday 2 to 4" 24" X 6"
- ITEM X6090** F) 4 "Sold" 24" X 6"

Company Name: **RE/MAX**

DBA _____

A) Agent Name: _____

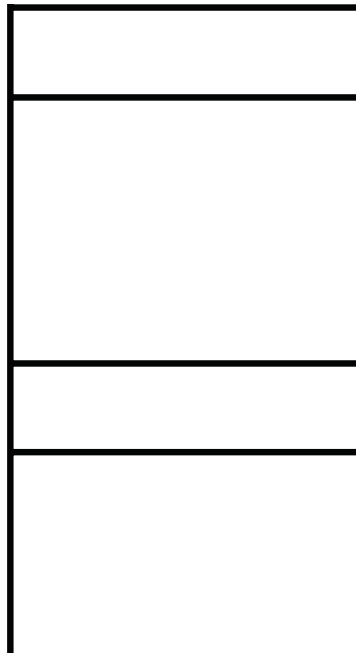
B) Agent Phone Number: _____

C) Agent Website or Email: _____

D) Office Phone Number: _____

ITEM X7080

See page 24



Please Photocopy
AND ATTACH TO ORDER FORM

60" Sign post system

ITEM X9000A



SPECIAL

COMPLETE SIGN POST KIT

Model A

DESCRIPTION:

- A) 6 IMAGE MAKER 60" SIGN POSTS (2 boxes) complete with ground stakes & pegs
- B) 6 YARD SIGNS (24" X 30") with associated identifier
- C) 12 MESSAGE RIDERS (24" X 6")
 - 3 "NEW PRICE"
 - 3 "OPEN SUNDAY 2 TO 4"
 - 3 "JUST LISTED"
 - 3 "SOLD"

LOGOS:



Company Name: **RE/MAX**

DBA _____

A) Agent Name: _____

B) Title: _____

C) Agent Phone Number: _____

D) Agent Website or Email: _____

E) Office Phone Number: _____

A value of \$903.00
for only **\$844.95**

* Note: For quality purpose, agent photos should be taken at the highest possible resolution, but no less than 6" x 6" at 300 dpi (dots per inch). Shoot photos in color.

* RE/MAX Policy and Procedures Manual requires that brokers use the RE/MAX Colonial Post Sign made to Franchise Identification System Specifications unless prohibited from doing so by the client or by law or local ordinance. Yard signs depicted in other formats are offered for your convenience and should only be used when it is not possible to use the Colonial Post Yard Sign.

Please Photocopy
AND ATTACH TO ORDER FORM

Commercial Signs

ITEM X6065

Model 48" x 48"



48" x 48" EXTRA LARGE YARD SIGNS

LARGE, PRINTED ON ONE SIDE COROPLAST SIGN IDEAL FOR INDUSTRIAL, COMMERCIAL BUILDINGS, OPEN LOTS AND ACREAGE.

Ready to install on buildings, etc. Coroplast signs are inexpensive to ship and easy to install. Signs should be supported with wooden frame (1" x 3" furring).

DESCRIPTION:

- 6 mm coroplast office identification sign
- White coroplast can be translucent in very bright areas

QUANTITY AND PRICE: PRINTED 1 SIDE ONLY

1 = \$175.00 / ea.

3 = \$165.20 / ea.

5 = \$154.00 / ea.

Company Name: RE/MAX

DBA _____

A) Message: _____

B) Agent Name: _____

C) Agent Phone Number: _____

Please Photocopy AND ATTACH TO ORDER FORM

Commercial Signs

ITEM X6070

Model 60" x 48"



60" x 48" EXTRA LARGE YARD SIGNS

LARGE, PRINTED ON ONE SIDE COROPLAST SIGN IDEAL FOR INDUSTRIAL, COMMERCIAL BUILDINGS, OPEN LOTS AND ACREAGE.

Ready to install on buildings, etc. Coroplast signs are inexpensive to ship and easy to install. Signs should be supported with wooden frame (1" x 3" furring).

DESCRIPTION:

• 6 mm coroplast office identification sign

QUANTITY AND PRICE:

PRINTED 1 SIDE ONLY

1 = \$189.00 / ea.

3 = \$179.20 / ea.

6 = \$168.00 / ea.

Company Name: **RE/MAX**

DBA _____

A) Message: _____

B) Agent Name: _____

C) Agent Phone Number: _____

Please Photocopy AND ATTACH TO ORDER FORM

ITEM X6090

Special Features And Activities / DESCRIPTION:

Printed 2 sides on 4 mm coroplast sign riders (white coroplast can be translucent in very bright areas)

SOLD

SOLD

SOLD

Model:

A

B

C

24" x 6"	24" x 8"	36" x 6"	36" x 8"
<input type="checkbox"/> 6 = \$ 13.30 each	<input type="checkbox"/> 6 = \$ 14.25 each	<input type="checkbox"/> 6 = \$ 21.70 each	<input type="checkbox"/> 6 = \$ 22.65 each
<input type="checkbox"/> 12 = \$ 11.90 each	<input type="checkbox"/> 12 = \$ 12.85 each	<input type="checkbox"/> 12 = \$ 20.30 each	<input type="checkbox"/> 12 = \$ 21.25 each
<input type="checkbox"/> 24 = \$ 10.50 each	<input type="checkbox"/> 24 = \$ 11.45 each	<input type="checkbox"/> 24 = \$ 18.90 each	<input type="checkbox"/> 24 = \$ 19.85 each
<input type="checkbox"/> 50 = \$ 10.20 each	<input type="checkbox"/> 50 = \$ 11.15 each	<input type="checkbox"/> 50 = \$ 18.40 each	<input type="checkbox"/> 50 = \$ 19.35 each
<input type="checkbox"/> 100 = \$ 9.95 each	<input type="checkbox"/> 100 = \$ 10.90 each	<input type="checkbox"/> 100 = \$ 17.95 each	<input type="checkbox"/> 100 = \$ 18.90 each

Grommets: Top Bottom Center for steel frames None

NOTE: Minimum of 6 signs, no mixing

Sign #s: _____ Quantity: _____

Ajouts en Français

Description: _____

7 0 0 Commercial	7 1 2 Open	7 2 3 Open House	7 3 8 Open Sunday 2-4	7 5 1 Must See Inside!
7 0 1 Office	7 1 3 Auction	7 2 4 For Lease	7 4 0 Model Open	7 5 2 New Price!
7 0 2 3 Bedroom	7 1 4 	7 2 7 Lot	7 4 1 Farm	7 5 3 Open Sunday 1-3
7 0 5 Lakefront	7 1 5 Open Sunday 1-4	7 2 8 Sale Pending	7 4 2 Open Saturday	7 5 4 Open Sat. ___ to ___
7 0 6 Swimming Pool	7 1 6 For Sale	7 2 9 Rentals	7 4 3 Open Sunday	7 5 6 Lake Rights
7 0 7 By Appt. Only	7 1 7 Owner Finance	7 3 0 Waterfront	7 4 4 Sold <small>But, we Have Others</small>	7 5 7 Lot #
7 0 8 Sold	7 1 8 Exclusive	7 3 1 Income Property	7 4 5 Acreage	7 5 8 Just Listed
7 0 9 2 Family	7 1 9 Lots	7 3 2 Open House	7 4 8 Duplex	7 5 9 In Contract
7 1 0 4 Bedroom	7 2 0 Price Reduced	7 3 3 For Rent	7 4 9 Home For Sale	7 6 0 Multi-Family
7 1 1 ___ Acres	7 2 2 Available	7 3 5 Build To Suit	7 5 0 Home Warranty	7 6 1 Condo

EMAIL US YOUR PRINT AND SIZE FOR A PRICE QUOTE

ITEM X6095

- Red sticker with white lettering
- White sticker with red lettering
- Transparent sticker, white or red lettering

Size of Sticker: _____

Message print: _____

ITEM X7000

WHITE STICKERS WITH RED OR BLUE LETTERING

SIZE		QUANTITY			
		15	25	50	100
<input type="checkbox"/>	15" X 3"	\$4.85 each	\$3.65 each	\$3.25 each	\$2.20 each
<input type="checkbox"/>	21" X 3"	\$5.45 each	\$4.15 each	\$3.75 each	\$3.15 each

Message print: _____

ITEM X7005

TRANSPARENT STICKERS WITH RED OR BLUE LETTERING

SIZE		QUANTITY			
		15	25	50	100
<input type="checkbox"/>	15" X 4"	\$5.65 each	\$4.15 each	\$3.65 each	\$3.40 each

Message print: _____

ITEM X7010

EXTRA LARGE PERSONALIZED STICKERS

		QUANTITY	
		15	25
<input type="checkbox"/>	24" X 7.5"	\$10.70 each	\$8.50 each

ITEM X7015

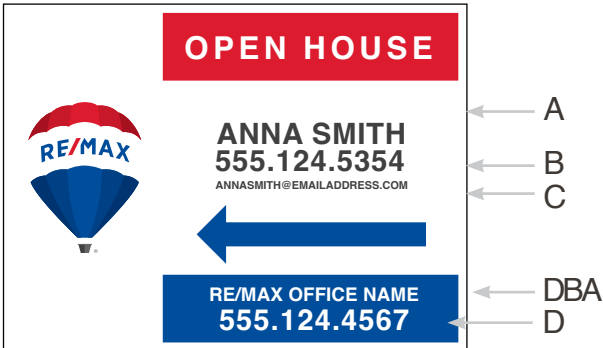
Model A - 24" X 18"



Model B - 24" X 18"



Model C - 24" X 18"



* Note: For quality purpose, agent photos should be taken at the highest possible resolution, but no less than 6" x 6" at 300 dpi (dots per inch). Shoot photos in color.

Photo on file* Sending photo by email*

24" x 18" Open House Signs

DESCRIPTION:

- Printed 1 side only
 - 4 mm coroplast sign
- White coroplast can be translucent in very bright areas

Minimum order = 12

SPECIFICATIONS:

MODE A B C

→ QTY: _____ ← QTY: _____

Minimum order = 12

- 12 = \$ 16.80 / ea.
- 24 = \$ 15.75 / ea.
- 50 = \$ 14.70 / ea.

MODEL A

Company Name: **RE/MAX**
 DBA _____
 A) Agent name: _____
 B) Agent Phone Number: _____
 C) Office Phone Number: _____

MODEL B

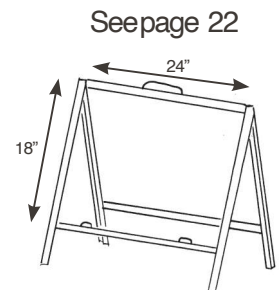
Company Name: **RE/MAX**
 DBA _____

MODEL C

Company Name: **RE/MAX**
 DBA _____
 A) Agent Name: _____
 B) Agent Phone Number : _____
 C) Agent Website or Email: _____
 D) Office Phone Number: _____

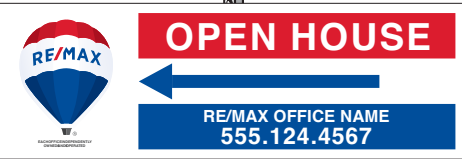
ITEM X7070

These signs work well with this A-Frame.



ITEM X7025

Model A - 24" X 8"



Model B - 24" X 8"



24" x 8" DIRECTIONAL SIGN WITH STEPSTAKE

DESCRIPTION:

- 2 X 4 mm coroplast signs glued back to back
- Printed 1 side only, including step stake, nuts and bolts
- Weight: 3.75 lbs. each
- White coroplast can be translucent in very bright areas

SPECIFICATIONS:

Model A B

QUANTITY AND PRICE: NO MIXING

- 10 = \$43.35 / ea. (2 boxes)
- 15 = \$40.55 / ea. (3 boxes)
- 25 = \$37.75 / ea. (5 boxes)

Company Name: **RE/MAX**

DBA _____

B) Agent Name: _____

C) Title: _____

D) Agent Phone Number: _____

ITEM X7030

Model A - 24" X 8"



Model B - 24" X 8"



24" x 8" DIRECTIONAL SIGN

DESCRIPTION:

- 4 mm coroplast sign

SPECIFICATIONS: PRINTED 1 SIDE

MINIMUM 10 EACH DIRECTION, NO MIXING

Model A B

→ QTY: _____ ← QTY: _____

QUANTITY AND PRICE:

- 20 = \$10.45 / ea.
- 30 = \$9.85 / ea.
- 50 = \$9.45 / ea.

Company Name: **RE/MAX**

DBA _____

B) Agent Name: _____

C) Title: _____

D) Agent Phone Number: _____

ALSO AVAILABLE: PRINTED 2 SIDES

10 = \$15.30 / ea.

15 = \$13.90 / ea.

25 = \$13.10 / ea.

and Stakes

ITEM X7050

Model 24" x 18"



24" x 18" ARROW DIE-CUT SIGN DIRECTIONAL SIGN WITH STEPSTAKE

DESCRIPTION: 2 x 4 mm coroplast signs glued back to back
 • Step stake, nuts and bolts
 • Weight: 4.75 lbs. each

SPECIFICATIONS:

FOR SALE OPEN HOUSE

QUANTITY AND PRICE: NO MIXING

- 10 = \$54.95 / ea. (2 boxes)
- 15 = \$52.85 / ea. (3 boxes)
- 25 = \$50.75 / ea. (5 boxes)

Company Name: **RE/MAX**

DBA _____

A) Agent Name: _____

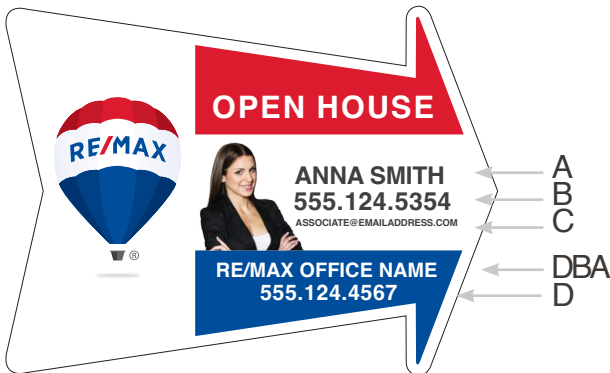
B) Agent Phone Number: _____

C) Website or Email: _____

D) Office Phone Number: _____

ITEM X7055

Model 24" x 18"



24" x 18" SINGLE SIDED ARROW DIRECTIONAL SIGNS

DESCRIPTION: 4 mm coroplast sign
 • Printed 1 side only

SPECIFICATIONS:

FOR SALE → QTY: _____ ← QTY: _____

OPEN HOUSE → QTY: _____ ← QTY: _____

QUANTITY AND PRICE: NO MIXING
 MINIMUM ORDER 10 PER DIRECTION

- 20 = \$19.00 / ea. 50 = \$16.90 / ea.

Company Name: **RE/MAX**

DBA _____

A) Agent Name: _____

B) Agent Phone Number: _____

C) Website or Email: _____

D) Office Phone Number: _____

LOGOS:



ITEM X7051

Model 24" x 18"



**24" X 18"
LITTLE HOUSE DIE-CUT SIGN
DIRECTIONAL SIGN WITH STEPSTAKE**

DESCRIPTION:

- 2 X 4 mm coroplast signs glued back to back
- Includes step stake, nuts and bolts
- Weight: 4.75 lbs. each

SPECIFICATIONS:

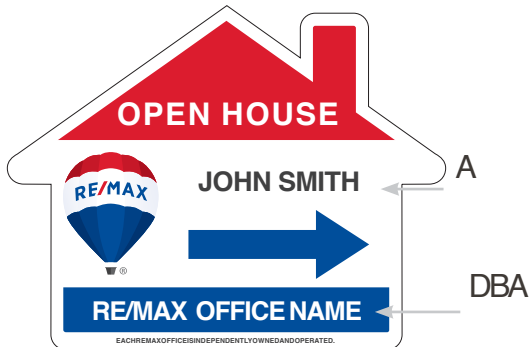
- FOR SALE
- OPEN HOUSE

QUANTITY AND PRICE: NO MIXING

- 10 = \$54.95 / ea. (2 boxes)
- 15 = \$52.85 / ea. (3 boxes)
- 25 = \$50.75 / ea. (5 boxes)

ITEM X7052

Model 24" x 18"



Company Name: **RE/MAX**

DBA _____

A) Agent name: _____

SINGLE SIDED DIRECTIONAL SIGNS

DESCRIPTION:

- Printed 1 side only
- 1 X 4 mm coroplast sign

SPECIFICATIONS:

- FOR SALE QTY → : ____ QTY ← : ____
- OPEN HOUSE QTY → : ____ QTY ← : ____

Company Name: **RE/MAX**

DBA _____

A) Agent Name: _____

QUANTITY AND PRICE: NO MIXING
 MINIMUM ORDER 10 PER DIRECTION
 20 = \$19.00 / ea. 50 = \$16.00 / ea.

LOGOS:



**Please Photocopy
AND ATTACH TO ORDER FORM**

ITEM X7060

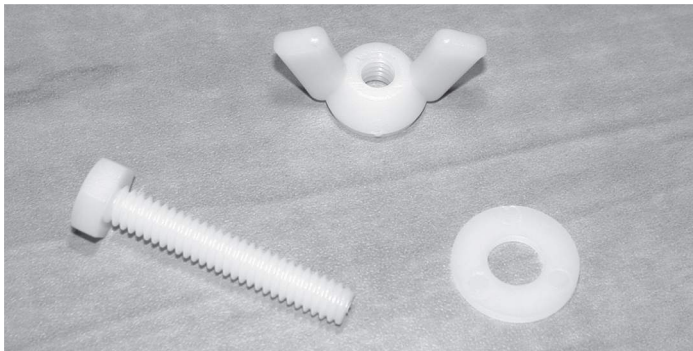
STEP STAKE NUTS AND BOLTS

DESCRIPTION:

- 1 Bag= 10 bolts, 10 wing nuts and 20 washers

PRICE:

\$4.70 each bag



ITEM X7065

SIGN PEGS

DESCRIPTION:

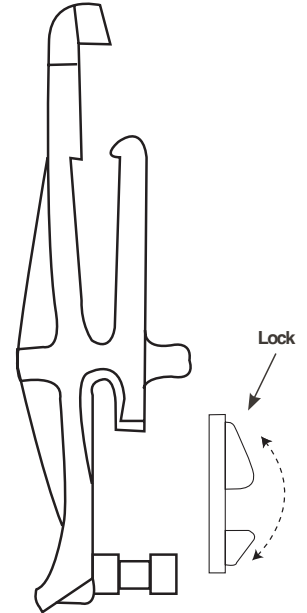
- Plastic Sign Holder Pegs

PRICE:

9 PER BAG
\$22.00 each bag

Model A (White)

Model B (Black)



ITEM X7070

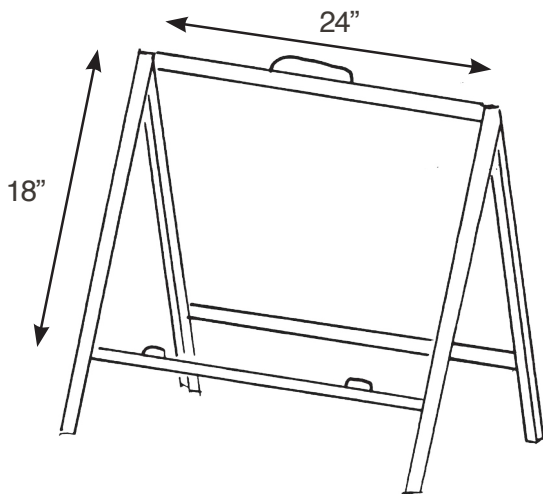
A-FRAME OR TENT FRAME

DESCRIPTION:

- Powder coated For OPENHOUSE, FOR SALE and DIRECTIONAL SIGNS

PRICE:

4 PER BOX
\$42.90 each frame



ITEM X7075

RIDER SIGN HANGER CLIPS

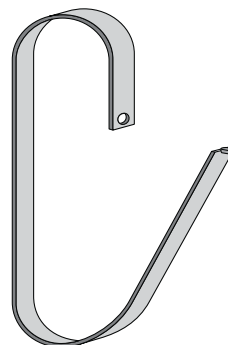
DESCRIPTION:

- 100% Stainless Steel Clips, For Hanging Name Rider Signs
- 36 clips per bag

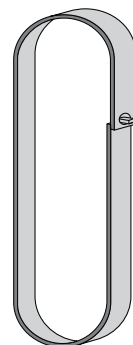
PRICE:

\$29.30 per bag

OPEN



CLOSE



ITEM X7085

**EXTRA YARD SIGN
GROUND STAKES**

DESCRIPTION:

- Powder coated
- Available only in packages of 3 ground stakes

PRICE:

3 PER PACKAGE
\$ 48.00 per package



ITEM X7090

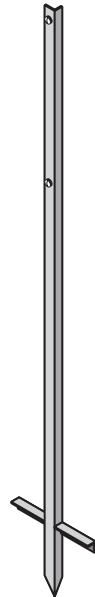
STEP STAKES

DESCRIPTION:

- Step Stake 48"
- Weight: 2.75 lbs. each
- Minimum order of 5
- Includes nylon nuts, bolts and washers
- Powder coated

PRICE:

5 PER BOX
\$74.25 per box



ITEM X7095

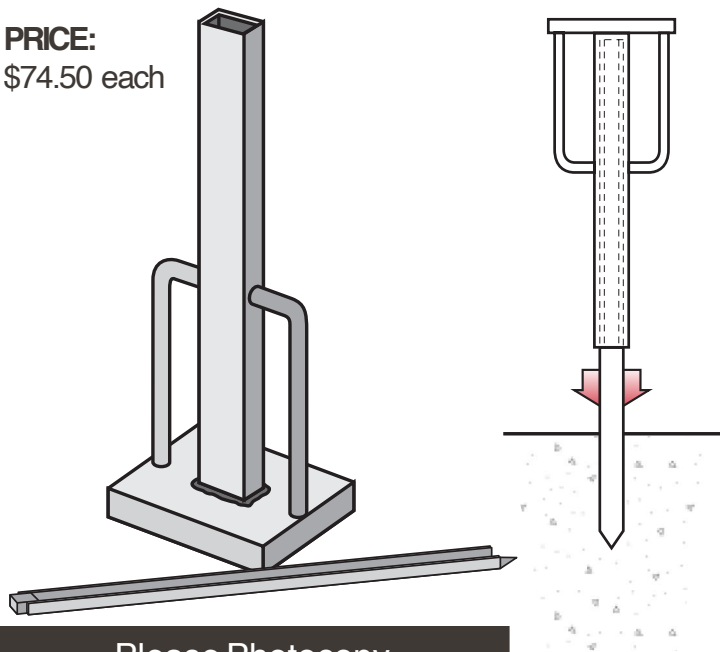
STAKE HAMMER

DESCRIPTION:

- For installing sign stakes
- Avoid flaring top of steel stakes
- Weight: 15 lbs.
- Powder coated

PRICE:

\$74.50 each



ITEM X8000

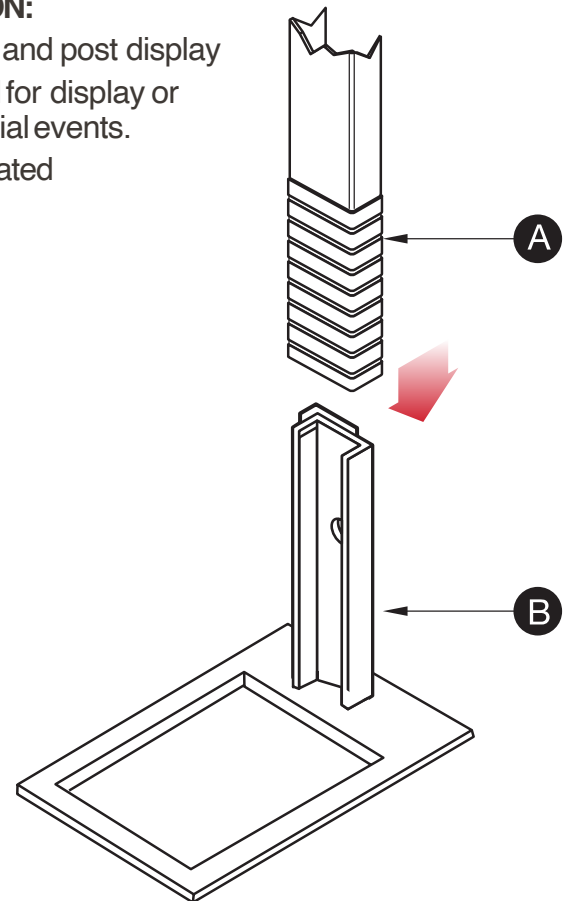
**PORTABLE
DISPLAY BASE**

DESCRIPTION:

- Office sign and post display
- To be used for display or office special events.
- Powder coated

PRICE:

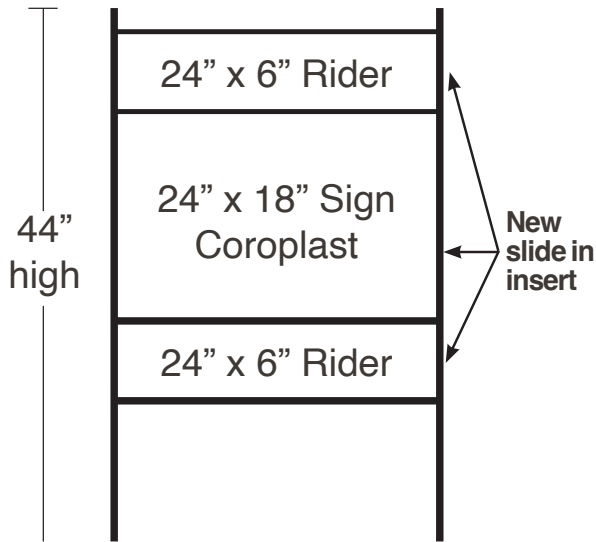
\$51.20 each



Please Photocopy
AND ATTACH TO ORDER FORM

ITEM X7080

NEW DESIGN



RESIDENTIAL STEELYARD FRAME

DESCRIPTION:

- NO INSTALLER NECESSARY
- QUICK AND EASY TO INSTALL
- Accomodates our 24" x 18" 4 mm Coroplast sign (Item X6005) and has special feature for holding sign riders 24" x 6"
- Black powder coat
- 3/4" Steel angle frame
- Does not include sign panels.

QUANTITY AND PRICE:

4 PERBOX

Qty: _____

4-20 = \$57.20 each frame

24-100 = \$53.90 each frame

Promotion Products

ITEM X8010

UMBRELLA

DESCRIPTION:

- 30" rib length, 60" arc
- 190T Polyester
- 14 mm black fiberglass shaft
- Fiberglass ribs and frame
- Manual open

PRICE: \$33.95 each

- Plastic tips and metal top
- Plastic hand grip with ID name card insert
- Velcro® tie closure
- Fiberglass ribs and frame for added strength and durability

**NEW!
LARGER AND IMPROVED!**



ITEM X8030

ULTRASONIC RANGE FINDER

DESCRIPTION:

- Realtors convenient distance measuring tool
- Automatic conversion between imperial & metric units with the push of a single button
- Measuring range 0.3 - 15 m or 1 foot - 50 feet

PRICE:

\$33.00 each



ITEM X8025

ZIPPERED LEGAL PORTFOLIO

DESCRIPTION:

- Koskin material
- Three-sided zipper closure
- Full-length outside zippered pocket
- Inside compartment for documents
- Accordion pocket for files
- Inside zippered pocket
- Logos in color

PRICE: \$41.35 each



ITEM X8015

BALLOONS

DESCRIPTION:

- White 12" balloons with RE/MAX logo printed 2 sides
- Helium quality pure latex

QUANTITY AND PRICE:

QTY	250	500	1000
PRICE	\$ 77.00	\$ 154.00	\$ 303.00



**Please Photocopy
AND ATTACH TO ORDER FORM**

Promotion Products

ITEM X8035

Model A



Feather flag

DESCRIPTION:

- Made with polyester material
- Double stuck pole pocket
- Fits poles up to 3/4
- Small: Height, 21' Widht: 77" **\$ 257.25 each**
- Medium: Height, 26' Widht104: " **\$ 330.75 each**
- Large: Height, 33' Widht: 135" **\$ 448.35 each**
- Weight: 4 lbs.

Specify:

MODEL A B C

Feather Flag Kit includes

- 1 Feather Flag
- 1 FeatherFlag with pole
- 1 Carring Bag
- Printed 1 side

Yard Sign Printing Specifications:

Company Name: **RE/MAX**

B) Agent Name: _____

C) Agent Phone Number: _____

Model B



Model C



EXTRA

ITEM X8036

Office Floor Base \$ 80.85 each



ITEM X8037

Ground Stake \$ 42.00 each



Please Photocopy
AND ATTACH TO ORDER FORM

HOW TO ORDER:

1. Photocopy catalogue page
2. Complete order form
3. Order directly by sending the order form via email.
4. Orders must be accompanied by payment to begin processing.

ORDERFORM:

Company name: **RE/MAX** Realter name: _____

Address: _____

City: _____ Province: _____

Postal code: _____

Telephone: (____) _____ Fax: (____) _____

Card holder name: _____

Credit card number: _____ Expiry date: M / Y _____ 3 Digit Code: _____

Visa
 Mastercard
 Amex
 E-Transfers

Card holder signature: _____

Terms:
 You may pay for your merchandise by Visa, MasterCard or American Express. E-Transfers, Cheque or money order in full (including shipping and applicable sales/tax).
 Shipping charges will automatically be added on charge card orders. When ordering by e-transfers, cheques or money order, and you would like to prepay shipping charges, you may call for exact freight charges. No C.O.D.'s accepted. Our minimum order is \$40.00. Prices subject to change without notice.
 Home Colonial SignsPost is Not responsible for following individual local or municipal sign restrictions and specifications. If your area has specific sign codes or restrictions you must inform us in writing at the time you place your order.

Sales/Tax:
 The appropriate tax will be added to all orders shipped.

Returns:
 Merchandise can not be returned without written permission. No refunds can be given on personalized merchandise. All returned merchandise must be shipped freight prepaid.

FOR EXACT PRINTING DETAILS, SEE OUR CATALOGUE.

QTY	ITEM NO	SIZE	DESCRIPTION	EACH	TOTAL

SHIPPING AND BILLING CHARGES:
 Shipping charges will automatically be included on charge card orders. When ordering by check or money order, and would like to prepay shipping charges, you may call for exact freight charges.

Total Price of items	_____
(See shipping charge information) Shipping Charges	_____
Total amount of Order	_____
H.S.T. or G.S.T. (Canadian Customers Only)	_____
TOTAL	_____
Québec clients, add Q.S.T.	_____
GRAND TOTAL	_____

NEEDA CATALOGUE?
 Download it from our website HomeColonialSignpost.com



VISA



AMERICAN EXPRESS

1699 Station Road, Mascouche, QC J7L 2J6

T. 450 477-2828 | F. 450 477-6819 | HcsSigns@Sympatico.ca