

# HOME COLONIAL SIGNPOST

DIVISION OF ROBWOOD INC

## WE SHIP ACROSS CANADA



FOR CATALOGUE UPDATES AND SALE'S PROMOTIONS, PLEASE REFER TO  
[HomeColonialSignpost.com](http://HomeColonialSignpost.com)

**REAL ESTATE YARD SIGN CATALOGUE 2024 rev-4**

TEL.: 450-477-2828 • FAX: 450-477-6819 • E-mail: [HcsSigns@Sympatico.ca](mailto:HcsSigns@Sympatico.ca)



Applicable to all of Canada except Ontario  
Each Royal LePage Office is Independently Owned and Operated. ® Registered trademark of Royal LePage Real Estate LLC,  
used under license. TM Trademark of Royal LePage Real Estate LLC, used under license.

Applicable to Ontario only  
Independently Owned and Operated. ® Registered trademark of Royal LePage Real Estate LLC,  
used under license. TM Trademark of Royal LePage Real Estate LLC, used under license.

# TABLE OF CONTENTS



How assemble and to Install.....	3
Imagemaker Sign post System .....	4
Residential Yard Sign 24" X 18" .....	5
Residential Yard Sign 24" X 26" .....	6-7-8
Residential Yard Sign 36" X 32" .....	9-10
Yard Sign 36" X 24" .....	11
Sign Riders 36" X 8" .....	12
Carriage Trade 24" X 32" .....	13
Sign Riders 24" X 6" & 24" X 8" .....	14
Complete Steel Frame Kit.....	15
Self Promotional Signs .....	16
Extra Large Commercial Signs 60" X 48" .....	17
Sign Stickers .....	18
Sign Post Kit .....	19-20
Sign Riders.....	21
Directional Signs.....	22-24-25-26
Open House Signs.....	23
Sign Accessories .....	27-28
Steel Yard Frames .....	29
Personal Promotional Products.....	30-31-32
Order Form .....	33

\* WHITE COROPLAST CAN BE TRANSLUCENT IN VERY BRIGHT AREAS.

## Need a catalogue?

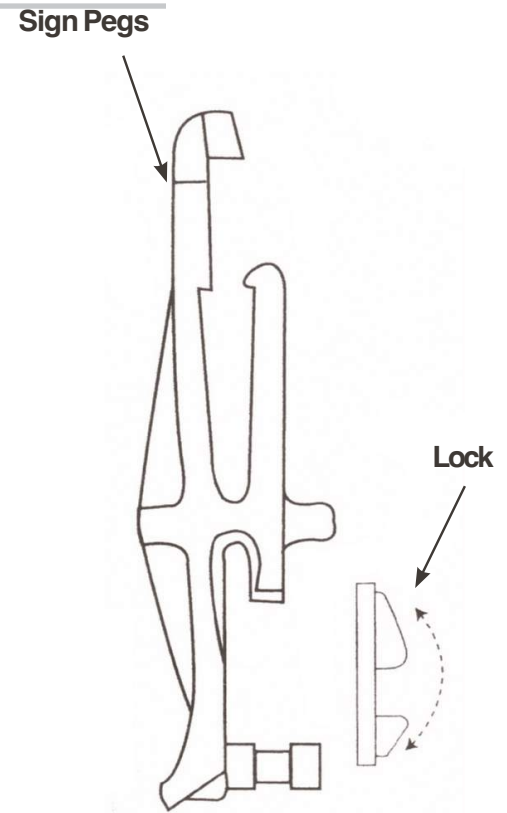
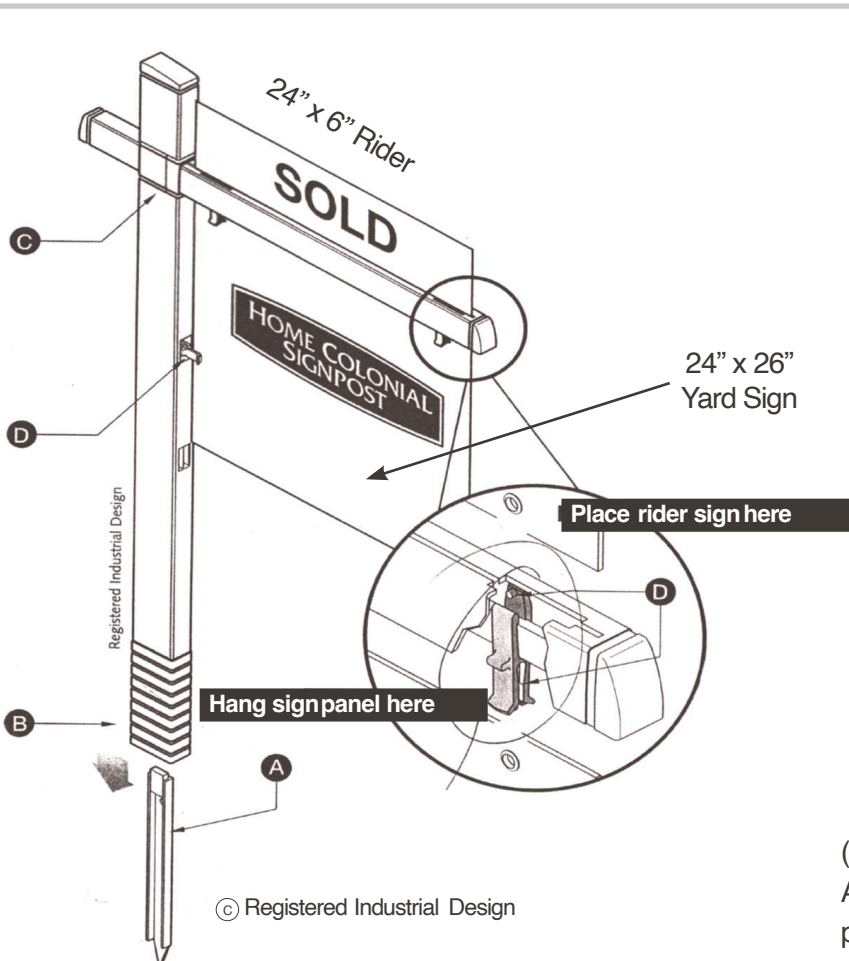
Download it from our website [HomeColonialSignpost.com](http://HomeColonialSignpost.com)

Applicable to all of Canada except Ontario Each Royal LEPAGE Office is Independently Owned and Operated.

Applicable to Ontario only Independently Owned and Operated.

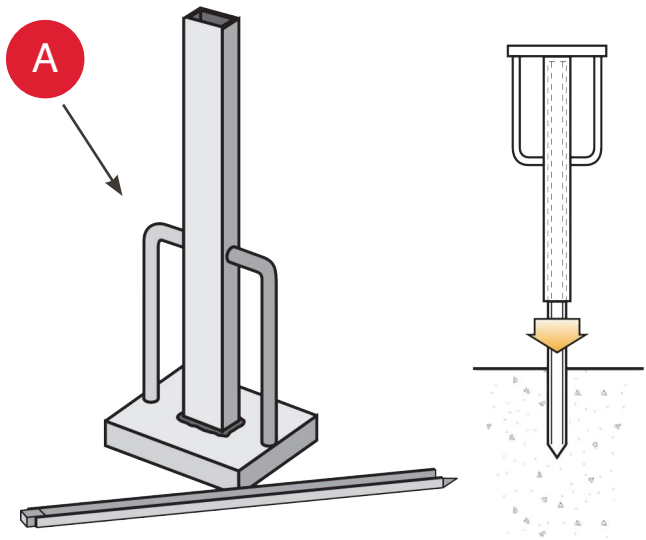
# HOW TO ASSEMBLE AND INSTALL

## The Imagemaker Sign Post



(For hanging main sign panel beneath crossarm, And, for attaching side of main sign panel to upright post to prevent swinging) ®

### QUICK'N EASY

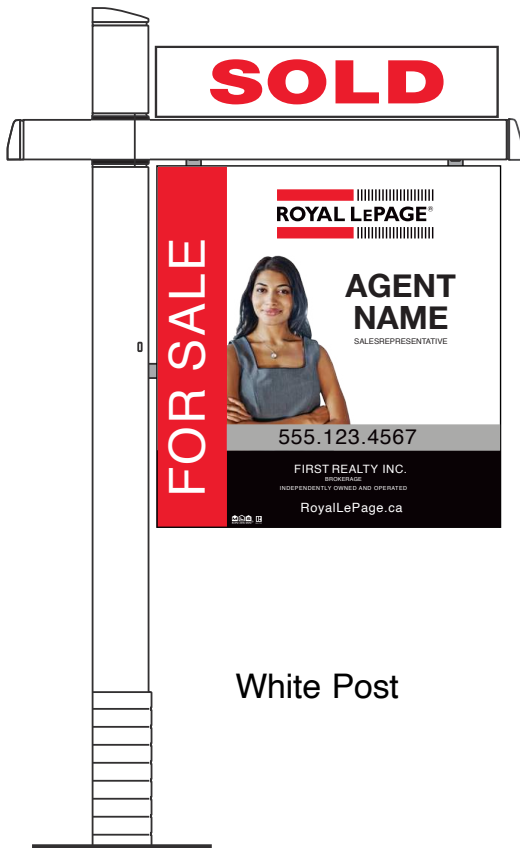


- A** Pound stake into soil using a stake hammer (stop at the yellow line);
- B** Slide upright portion of post onto top of stake;
- C** Slide crossarm portion into upright until snap;
- D** Insert sign pegs in post and hang sign panel;
- E** Slide message rider sign into slot of crossarm;

## « Snap Assembly » Sign Post System

ITEM R2005P

Model A



White Post

Model B



Black Post

Includes sign post assembly & ground stake.

QTY:3 Per Box  Model A = \$ 90.30 each post  
 Model B = \$ 96.95 each post

Available in boxes of 3 only

### Quick'n easy to install:

- A) Pound stake into ground with stake hammer  
Item R7095, page 28
- B) Slide upright portion of post onto top of stake;
- C) Slide crossarm portion into upright until it snaps;
- D) Insert sign pegs in post until they clip, hang sign panel,  
And then slide rider sign into slot of crossarm.

Please Photocopy  
AND ATTACH TO ORDER FORM

## 2 PRODUCT WARRANTY YEARS!\*

\*Your Imagemaker Signpost warranty covers all defects in materials and workmanship.

The following are not covered by the warranty:

- 1- Units on which the manufacture date has been Defaced, modified or removed.
- 2- Damage or deterioration resulting from:
  - A- Installation or removal of the signpost
  - B- Accident, misuse, abuse, neglect, Unauthorized product modification.
  - C- Installation of parts or accessories that do not conform to the quality or specification of the original sign post or accessories

## Yard Signs 60'' Sign Post System

**ITEM R6005**

### 24'' x 18'' CORRUGATED PLASTIC SIGN PANEL

**DESCRIPTION:**

- 4 mm coroplast sign panel
- Imprinted with DBA, phone number and website
- Standard 5 grommet hole pattern
- Choose from two color schemes

**SPECIFICATIONS:**

Model A  B

5 grommets  No grommets  to fit steel frames

**QUANTITY AND PRICE: PRINTED 2 SIDES**

6 = \$ 23.80 / ea.

12 = \$ 22.40 / ea.

24 = \$ 21.00 / ea.

**Model A**



**Model B**



**PRINTED 1 SIDE ONLY**

6 = \$ 17.85 / ea.

12 = \$ 16.80 / ea.

24 = \$ 15.75 / ea.

Company Name: **Royal LePage**

DBA \_\_\_\_\_

B) Agent Phone Number : \_\_\_\_\_

C) Agent Website or Email: \_\_\_\_\_

**Please Photocopy  
AND ATTACH TO ORDER FORM**

## Yard Signs 60" Sign Post System

**ITEM R6010**

Model A



24" x 26"

YARD SIGN WITH ASSOCIATE IDENTIFIER

DESCRIPTION:

- Printed 2 sides
- 4 mm coroplast office identification sign
- Imprinted with DBA, website, phone number and Agent identifier

SPECIFICATIONS:

Model A  B

3 grommets  No grommets

QUANTITY AND PRICE:

6 = \$ 33.60 / ea.

12 = \$ 32.20 / ea.

25 = \$ 30.80 / ea.

Company Name: **Royal LePage**

DBA \_\_\_\_\_

B) Website : \_\_\_\_\_

C) Office phone Number: \_\_\_\_\_

D) Agent Name: \_\_\_\_\_

E) Title: \_\_\_\_\_

Model B



\* Note: For quality purpose, agent photos should be taken at the Highest possible resolution, but no less than 6" x 6" at 300 dpi (dots per inch). Shoot photos in color.

Please Photocopy  
AND ATTACH TO ORDER FORM

## Yard Signs

**ITEM R6015**

Model A



### 24" x 26" YARD SIGN WITH ASSOCIATE IDENTIFIER & AGENT PHOTO

**DESCRIPTION:**

- Printed 2 sides
- 4 mm coroplast office identification sign
- Imprinted with DBA, website, phone number and Agent identifier
- 3 grommets (2 on top and 1 on left side of sign)

**SPECIFICATIONS:**

Model A  B

3 grommets       Nogrommets

Photo on file\*       Sending photo by email\*

**QUANTITY AND PRICE:**

- 6 = \$ 33.60 / ea.
- 12 = \$ 32.20 / ea.
- 24 = \$ 30.80 / ea.

Company Name: **Royal LePage**

DBA \_\_\_\_\_

B) Website : \_\_\_\_\_

C) Office phone Number: \_\_\_\_\_

D) Agent Name: \_\_\_\_\_

E) Title: \_\_\_\_\_

F) Agent Phone Number: \_\_\_\_\_

G) Agent Website or Email: \_\_\_\_\_

Model B



\* Note: For quality purpose, agent photos should be taken at the highest possible resolution. but no less than 5" x 5.5" at 300 dpi (dots per inch). Shoot photos in color.

**Please Photocopy  
AND ATTACH TO ORDER FORM**



## Yard Signs

### ITEM R6020

#### Model A



### 24"x 26" - Yard Sign With Associate Identifier

#### DESCRIPTION:

- Printed 1 side only
- 4 mm coroplast, office identification sign
- Imprinted with DBA, website and phone number

Model A  B

6 = \$ 25.20 / ea.

12 = \$ 24.15 / ea.

24 = \$ 23.35 / ea.

Company Name: **Royal LePage**

A) DBA \_\_\_\_\_

B) Website: \_\_\_\_\_

C) Office Phone Number: \_\_\_\_\_

D) Agent Name: \_\_\_\_\_

E) Title: \_\_\_\_\_

### ITEM R6025

#### Model B



### 24"x 26" Yard Sign With Associate Identifier

#### DESCRIPTION: DOUBLE

- 2 coroplast signs back to back glued 4 corners
- 4 mm coroplast office identification sign
- Imprinted with DBA, website and phone number

Model A  B

6 = \$ 42.00 / ea.

12 = \$ 39.20 / ea.

24 = \$ 38.85 / ea.

Company Name: **Royal LePage**

A) DBA \_\_\_\_\_

B) Website: \_\_\_\_\_

C) Office Phone Number: \_\_\_\_\_

D) Agent Name: \_\_\_\_\_

E) Title: \_\_\_\_\_

Please Photocopy  
AND ATTACH TO ORDER FORM

## ITEM R6030

### Model A



### 36" x 32" Yard Sign With Associate Identifier

#### DESCRIPTION:

- Printed 2 sides
- Imprinted with DBA, website and phone number
- 4 mm coroplast, office & agent identification sign
- 4 grommets (2 on top and 2 on left side)

Model A  B

4 grommets  No grommets

3 = \$ 58.80 / ea.

6 = \$ 56.00 / ea.

9 = \$ 53.20 / ea.

12 = \$ 50.40 / ea.

### Model B



Company Name: **Royal LePage**

A) DBA \_\_\_\_\_

B) Agent Name: \_\_\_\_\_

C) Title: \_\_\_\_\_

D) Agent Phone Number: \_\_\_\_\_

E) Agent Website or Email: \_\_\_\_\_

ITEM R6035

Model A



## 36" x 32" Yard Sign With Associate Identifier with agent photo

DESCRIPTION:

- Printed 2 sides
- Imprinted with DBA, website and phone number
- 4 mm coroplast office & agent identification sign
- 3 grommets (2 on top and 2 on left side)

Model A  B

3 grommets  No grommets

Photo on file\*  Sending photo by email\*

3 = \$ 58.80 / ea.

6 = \$ 56.00 / ea.

9 = \$ 53.20 / ea.

12 = \$ 50.40 / ea.

Model B



Company Name: **Royal LePage**

A) DBA \_\_\_\_\_

B) Website: \_\_\_\_\_

C) Office Phone Number: \_\_\_\_\_

D) Agent Name: \_\_\_\_\_

E) Title: \_\_\_\_\_

F) Agent Phone Number: \_\_\_\_\_

G) Agent Website or Email: \_\_\_\_\_

\* Note: For quality purpose, agent photos should be taken at the highest possible resolution, but no less than 5" x 5.5" at 300 dpi (dots per inch). Shoot photos in color.

Please Photocopy  
AND ATTACH TO ORDER FORM

## Yard Signs 36''

ITEM R6040

### Model A



### Model B



### 36'' x 24'' Yard Sign With Associate Identifier

#### DESCRIPTION:

- Printed 2 sides
- Imprinted with DBA, website and phone number
- 4 mm coroplast office & agent identification sign
- 5 grommets (2 on top, 1 left and 2 on left side)

Model A  B

5 grommets  No grommets

#### QUANTITY AND PRICE:

- 5 = \$ 53.20 / ea.
- 10 = \$ 49.00 / ea.
- 15 = \$ 46.20 / ea.
- 20 = \$ 43.40 / ea.

Company Name: **Royal LePage**

A) DBA: \_\_\_\_\_

B) Website: \_\_\_\_\_

C) Office Phone Number: \_\_\_\_\_

## Yard Signs 36"

ITEM R6045

### Model A



### Model B



### 36" x 8" Agent Name Rider

Description:

- Printed 2 sides
- 4 mm coroplast office identification sign

Sign model A

6 = \$ 22.65 / ea.

12 = \$ 21.25 / ea.

24 = \$ 19.35 / ea.

2 grommets:

Top  Bottom

A) Agent Name: \_\_\_\_\_

A) Title: \_\_\_\_\_

C) Agent Phone Number: \_\_\_\_\_

A) Website: \_\_\_\_\_

Sign model B  (With photo 6" x 6")

6 = \$ 23.60 / ea.

12 = \$ 22.20 / ea.

24 = \$ 20.30 / ea.

2 grommets:

Top  Bottom

A) Agent Name: \_\_\_\_\_

A) Title: \_\_\_\_\_

C) Agent Phone Number: \_\_\_\_\_

A) Website: \_\_\_\_\_

\* Note: For quality purpose, agent photos should be taken at the highest possible resolution, but no less than 5.5" x 5.5" at 300 dpi (dots per inch). Shoot photos in color.

Please Photocopy  
AND ATTACH TO ORDER FORM

## Main Post 60", CrossArm 36"

**ITEM R6050**

Model A



## 24" x 32" Carriage Trade Sign

DESCRIPTION:

- 4 mm coroplast office identification sign.
- Imprinted with DBA, website and phone number

Model A

- |  |                                      |
|--|--------------------------------------|
| <input type="checkbox"/> 3 = \$ 42.00 / ea.  | <input type="checkbox"/> 4 grommets  |
| <input type="checkbox"/> 6 = \$ 36.40 / ea.  | <input type="checkbox"/> No grommets |
| <input type="checkbox"/> 12 = \$ 35.00 / ea. |                                      |
| <input type="checkbox"/> 24 = \$ 33.60 / ea. |                                      |

Riders 24" x 8

Die-Cut

- 3 = \$ 24.50 / ea.



**ITEM R6055**



# SPECIAL

## COMPLETE CARRIAGE TRADE SIGN POST KIT

DESCRIPTION:

A) 3 IMAGE MAKER 60" BLACK SIGN POSTS (1 box) complete with ground stakes & 3 extra pegs

B) 3 Yard signs (24" x 32")

C) 3 Personalized riders with photo

Forward photo in 300 DPI by e-mail to : HcsSigns@Sympatico.ca

- Photo on file       Sending photo by email

Logos



Company Name: **Royal LePage**

- A) DBA \_\_\_\_\_
- B) Agent name: \_\_\_\_\_
- C) Agent Phone Number: \_\_\_\_\_
- D) Agent Website or Email: \_\_\_\_\_



Please Photocopy  
AND ATTACH TO ORDER FORM

## 60" Sign Post System

ITEM R6085

### Model A

**ANNA SMITH**  
Sales Representative  
**555.123.4567**

### 24" x 6 - Agent Name Riders

Description:

- Printed 2 sides
- 4 mm coroplast agent identification sign

Model A

6 = \$ 13.30 / ea.

12 = \$ 11.90 / ea.

24 = \$ 10.50 / ea.

2 grommets:

Top  Bottom

### Model A

**ANNA SMITH**  
Sales Representative  
**555.123.4567**  
yourwebsite.com

### Model B



**ANNA SMITH**  
Sales Representative  
**555.123.4567**  
yourwebsite.com

### 24" x 8 - Agent Name Riders

Description:

- Printed 2 sides
- 4 mm coroplast agent identification sign

Model A  B  (With photo 5.5" x 5.5")

6 = \$ 14.75 / ea.

12 = \$ 13.35 / ea.

24 = \$ 11.95 / ea.

2 grommets:

Top or  Bottom

Sign Printing specifications:

A) Agent Name: \_\_\_\_\_

B) Title: \_\_\_\_\_

C) Agent Phone Number: \_\_\_\_\_

D) Agent Website or Email: \_\_\_\_\_

Photo on file

Sending photo by email

\*Note: For quality purpose, agent photos should be taken at the highest possible resolution, but no less than 5.5" x 5.5" at 300 dpi (dots per inch). Color photos can be used.

Please E-mail photo to: HcsSigns@Sympatico.ca

Please Photocopy  
AND ATTACH TO ORDER FORM

## Complete Steel Frame Kit

### ITEM R6075

Model A



Model B



ITEM R6075

B) 8 Steel Frame (2 boxes)

ITEM R6005

B) 8 Yard Signs 24" X 18"

ITEM R6085

C) 8 Name Riders 24" X 6"

ITEM R6090

D) 4 "New Price" 24" X 6"

ITEM R6090

E) 4 "Open Sunday 2 to 4"

ITEM R6090

F) 4 "Sold" 24" X 6"

A value of \$ 900.00  
for only **\$ 849.95**

### YARD SIGN PRINTING SPECIFICATIONS:

Company Name: **Royal LePage**

A) DBA: \_\_\_\_\_

B) Website: \_\_\_\_\_

C) Office Phone Number: \_\_\_\_\_

D) Agent Name: \_\_\_\_\_

E) Title: \_\_\_\_\_

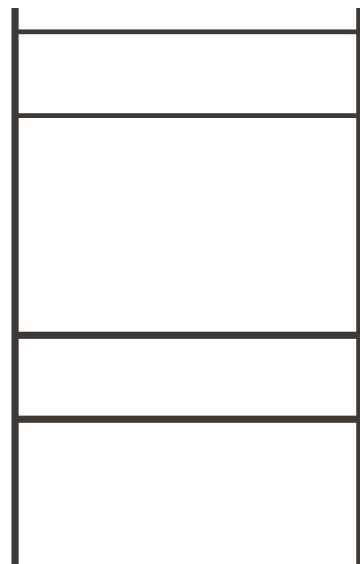
F) Agent Phone Number: \_\_\_\_\_

G) Agent Website or Email: \_\_\_\_\_

### NEW DESIGN



New slide in insert



### ITEM R7080

Steel Frame Item  
See page 29



## SELF PROMOTIONAL SIGNS

ITEM R6071

Model A



Model B



### 60" x 48" Extra Large Yard Sign

DESCRIPTION:

- Printed 1 side only
- 6 mm coroplast office identification sign.

SPECIFICATIONS:

Model A  B

Photo on file  Sending photo by email

QUANTITY AND PRICE:

- 1 = \$ 189.50 / ea.
- 3 = \$ 179.20 / ea.
- 6 = \$ 168.00 / ea.

YARD SIGN PRINTING SPECIFICATIONS:

Company Name: **Royal LePage**

- A) DBA \_\_\_\_\_
- B) Website: \_\_\_\_\_
- C) Office Phone Number: \_\_\_\_\_
- D) Agent name: \_\_\_\_\_
- E) Title: \_\_\_\_\_
- F) Agent Phone Number: \_\_\_\_\_
- G) Agent Website or Email: \_\_\_\_\_
- H) Slogan or Message: \_\_\_\_\_

## COMMERCIAL SIGNS

ITEM R6070

Model A



Model B



### 60" x 48" Extra Large Yard Sign

LARGE, PRINTED ONE SIDED COROPLAST SIGN IDEAL FOR INDUSTRIAL, COMMERCIAL BUILDINGS, OPEN LOTS AND ACREAGE.

Ready to install on buildings, etc. Coroplast signs are inexpensive to ship and easy to install.

Signs should be supported with wooden frame (1" x 3" furring).

DESCRIPTION:

- Printed 1 side only
- 6 mm coroplast office identification sign.

SPECIFICATIONS:

Model A  B

QUANTITY AND PRICE:

- 1 = \$ 189.00 / ea.
- 3 = \$ 179.20 / ea.
- 6 = \$ 168.00 / ea.

YARD SIGN PRINTING SPECIFICATIONS:

Company Name: **Royal LePage**

- A) DBA \_\_\_\_\_
- B) Website: \_\_\_\_\_
- C) Office Phone Number: \_\_\_\_\_
- D) Agent name: \_\_\_\_\_
- E) Title: \_\_\_\_\_
- F) Agent Phone Number: \_\_\_\_\_
- G) Agent Website or Email: \_\_\_\_\_
- H) Slogan or Message: \_\_\_\_\_

\_\_\_\_\_  
 \_\_\_\_\_  
 \_\_\_\_\_

EMAIL US YOUR PRINT AND SIZE FOR A PRICE QUOTE

## ITEM R6095

### CUSTOM VINYL GRAPHIC STICKERS

Red sticker, white lettering Size of Sticker: \_\_\_\_\_

White sticker, black lettering

Transparent sticker, white or black lettering

Message print: \_\_\_\_\_  
 \_\_\_\_\_  
 \_\_\_\_\_  
 \_\_\_\_\_

## ITEM R7000

### WHITE OR RED STICKERS WITH BLACK OR WHITE LETTERING

SIZE	QUANTITY			
	15	25	50	100
<input type="checkbox"/> 15"X3"	\$4.85 each	\$3.65 each	\$3.25 each	\$2.20 each
<input type="checkbox"/> 21"X3"	\$5.45 each	\$4.15 each	\$3.75 each	\$3.15 each

Message print: \_\_\_\_\_

## ITEM R7005

### TRANSPARENT STICKERS WITH WHITE, BLACK OR RED LETTERING

SIZE	QUANTITY			
	15	25	50	100
<input type="checkbox"/> 15"X4"	\$5.65 each	\$4.15 each	\$3.65 each	\$3.40 each

Message print: \_\_\_\_\_

## ITEM R7010

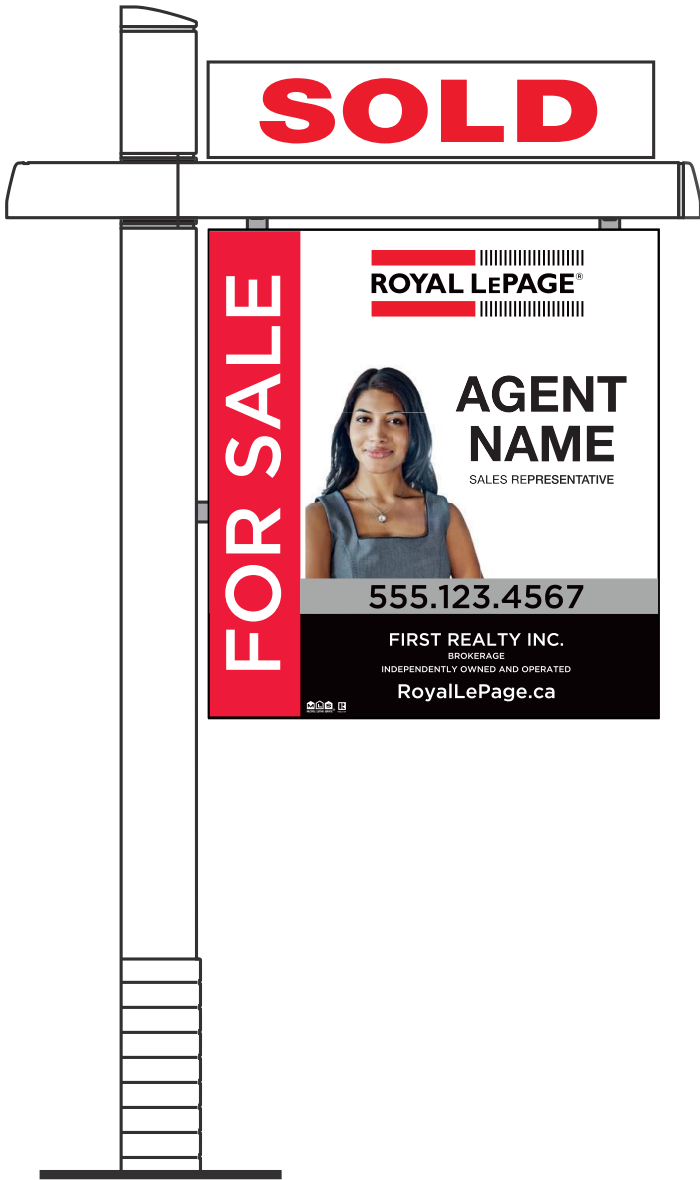
### EXTRA LARGE PERSONALIZED STICKERS

SIZE	QUANTITY	
	15	25
<input type="checkbox"/> 24"X7.5"	\$10.70 each	\$8.50 each

Message print: \_\_\_\_\_

## 60" Sign Post System

ITEM R9000A



A value of \$ 886.20  
for only **\$ 829.95**

# SPECIAL

## COMPLETE SIGN POST KIT WITH PICTURE Model A

### DESCRIPTION:

A) 6 IMAGE MAKER 60" SIGN POSTS (2 boxes)  
complete with ground stakes & pegs

B) 6 Yard signs (24" x 26") with associated identifier

C) 12 Message riders (24" x 6")

- 3 "NEW PRICE"
- 3 "Open Sunday 2 to 4"
- 3 "JUST LISTED"
- 3 "SOLD"

Photo on file\*

Sending photo by email\*

### Logos

(MLS)  
MULTIPLE LISTING SERVICE

Company Name: **Royal LePage**

A) DBA \_\_\_\_\_

B) Agent name: \_\_\_\_\_

C) Title: \_\_\_\_\_

D) Agent Phone Number: \_\_\_\_\_

E) Agent Email: \_\_\_\_\_

F) Agent Website: \_\_\_\_\_

\* Note: For quality purpose, agent photos should be taken at the highest possible resolution, but no less than 5.5" x 5.5" at 300 dpi (dots per inch). Color photos can be used.

Please E-mail photo to: [HcsSigns@Sympatico.ca](mailto:HcsSigns@Sympatico.ca)

ITEM R9000B

# SPECIAL

## COMPLETE SIGN POST KIT

Model B

### DESCRIPTION:

- A) 6 IMAGE MAKER 60" BLACK SIGN POSTS (2 boxes)  
complete with ground stakes & pegs
- B) 6 Yard signs (24" x 26") with associated identifier
- C) 12 Message riders (24" x 6")
  - 3 "NEW PRICE"
  - 3 "Open Sunday 2 to 4"
  - 3 "JUST LISTED"
  - 3 "SOLD"

- Photo on file\*     Sending photo by email\*

### Logos

- (MLS)     REALTOR     centris

Company Name: **Royal LePage**

- A) DBA \_\_\_\_\_
- B) Agent name: \_\_\_\_\_
- C) Title: \_\_\_\_\_
- D) Agent Phone Number: \_\_\_\_\_
- E) Agent Email: \_\_\_\_\_
- F) Agent Website: \_\_\_\_\_

\* Note: For quality purpose, agent photos should be taken at the highest possible resolution, but no less than 5.5" x 5.5" at 300 dpi (dots per inch). Color photos can be used.

Please E-mail photo to: [HcsSigns@Sympatico.ca](mailto:HcsSigns@Sympatico.ca)



A value of \$ 926.10  
for only **\$ 879.95**

Please Photocopy  
AND ATTACH TO ORDER FORM

ITEM R6090

## Special Features And Activities / DESCRIPTION:

Printed 2 sides on 4 mm coroplast sign riders (white coroplast can be translucent in very bright areas)

**SOLD**

**SOLD**

Model:

A

B

24" x 6"	24" x 8"	36" x 6"	36" x 8"
<input type="checkbox"/> 6 = \$ 13.30 each	<input type="checkbox"/> 6 = \$ 14.25 each	<input type="checkbox"/> 6 = \$ 21.70 each	<input type="checkbox"/> 6 = \$ 22.65 each
<input type="checkbox"/> 12 = \$ 11.90 each	<input type="checkbox"/> 12 = \$ 12.85 each	<input type="checkbox"/> 12 = \$ 20.30 each	<input type="checkbox"/> 12 = \$ 21.25 each
<input type="checkbox"/> 24 = \$ 10.50 each	<input type="checkbox"/> 24 = \$ 11.45 each	<input type="checkbox"/> 24 = \$ 18.90 each	<input type="checkbox"/> 24 = \$ 19.85 each
<input type="checkbox"/> 50 = \$ 10.20 each	<input type="checkbox"/> 50 = \$ 11.15 each	<input type="checkbox"/> 50 = \$ 18.40 each	<input type="checkbox"/> 50 = \$ 19.35 each
<input type="checkbox"/> 100 = \$ 9.95 each	<input type="checkbox"/> 100 = \$ 10.90 each	<input type="checkbox"/> 100 = \$ 17.95 each	<input type="checkbox"/> 100 = \$ 18.90 each

Grommets:  Top  Bottom  Center for steel frames  None

NOTE: Minimum of 6 signs, no mixing

Sign #'s: \_\_\_\_\_ Quantity: \_\_\_\_\_

Ajouts en Français

Description: \_\_\_\_\_

7 0 0 <b>Commercial</b>	7 1 2 <b>Open</b> →	7 2 3 <b>Open House</b>	7 3 8 <b>Open Sunday 2-4</b>	7 5 1 <b>Must See Inside!</b>
7 0 1 <b>Office</b>	7 1 3 <b>Auction</b>	7 2 4 <b>For Lease</b>	7 4 0 <b>Model Open</b> →	7 5 2 <b>New Price!</b>
7 0 2 <b>3 Bedroom</b>	7 1 4 →	7 2 7 <b>Lot</b>	7 4 1 <b>Farm</b>	7 5 3 <b>Open Sunday 1-3</b>
7 0 5 <b>Lakefront</b>	7 1 5 <b>Open Sunday 1-4</b>	7 2 8 <b>Sale Pending</b>	7 4 2 <b>Open Saturday</b>	7 5 4 <b>Open Sat. ___ to ___</b>
7 0 6 <b>Swimming Pool</b>	7 1 6 <b>For Sale</b>	7 2 9 <b>Rentals</b>	7 4 3 <b>Open Sunday</b>	7 5 6 <b>Lake Rights</b>
7 0 7 <b>By Appt. Only</b>	7 1 7 <b>Owner Finance</b>	7 3 0 <b>Waterfront</b>	7 4 4 <b>Sold</b> <small>But, we Have Others</small>	7 5 7 <b>Lot #</b>
7 0 8 <b>Sold</b>	7 1 8 <b>Exclusive</b>	7 3 1 <b>Income Property</b>	7 4 5 <b>Acreage</b>	7 5 8 <b>Just Listed</b>
7 0 9 <b>2 Family</b>	7 1 9 <b>Lots</b>	7 3 2 <b>Open House</b> →	7 4 8 <b>Duplex</b>	7 5 9 <b>In Contract</b>
7 0 1 <b>4 Bedroom</b>	7 2 0 <b>Price Reduced</b>	7 3 3 <b>For Rent</b>	7 4 9 <b>Home For Sale</b> →	7 6 0 <b>Multi-Family</b>
7 1 1 <b>___ Acres</b>	7 2 2 <b>Available</b>	7 3 5 <b>Build To Suit</b>	7 5 0 <b>Home Warranty</b>	7 6 1 <b>Condo</b>

**ITEM R7051**



## Little House Die-Cut Sign 18" X 18" Directional sign with step stake

**DESCRIPTION:**

- 2 X 4 mm coroplast signs glued back to back
- Printed 1 side only
- Includes step stake, nuts and bolts
- Weight: 4.75 pounds each

**SPECIFICATIONS:**

FOR SALE •QTY: \_\_\_\_\_  OPEN HOUSE •QTY: \_\_\_\_\_

Model A  B  C

**QUANTITY AND PRICE: (NO MIXING)**

- 10 = \$ 52.85 / ea. (2 boxes)
- 15 = \$ 50.75 / ea. (3 boxes)
- 25 = \$ 48.65 / ea. (5 boxes)

Company Name: **Royal LePage**

- A) DBA \_\_\_\_\_  
 B) Agent name: \_\_\_\_\_  
 C) Title: \_\_\_\_\_  
 D) Agent Phone Number: \_\_\_\_\_

**ITEM R7052**



## Single Sided Little House Directional Signs

**DESCRIPTION:**

- 4 mm coroplast sign
- Printed 1 side only

**SPECIFICATIONS:**

FOR SALE      → QTY: \_\_\_\_\_      ← QTY: \_\_\_\_\_  
 OPEN HOUSE      → QTY: \_\_\_\_\_      ← QTY: \_\_\_\_\_

Model A  B  C

**QUANTITY AND PRICE: (NO MIXING)**

- 20 = \$ 17.95 / ea. \*Minimum order 10 per direction\*

Company Name: **Royal LePage**

- A) DBA \_\_\_\_\_  
 B) Agent name: \_\_\_\_\_  
 C) Title: \_\_\_\_\_  
 D) Agent Phone Number: \_\_\_\_\_

## ITEM R7015

### Model A



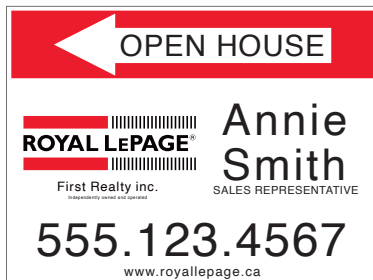
### Model B



### Model C



### Model D



## 24" x 18" Open House Signs

### DESCRIPTION:

- Printed 1 side only
- 4 mm coroplast sign

Minimum order = 12

### SPECIFICATIONS:

MODEL A  B  C  D

Writing in red arrow:

- FOR SALE → QTY: \_\_\_ ← QTY: \_\_\_
- OPEN HOUSE → QTY: \_\_\_ ← QTY: \_\_\_
- 12 = \$ 16.80 / ea.
- 24 = \$ 15.75 / ea.
- 50 = \$ 14.70 / ea.

### Yard Sign Printing Specifications:

Company Name: **Royal LePage**

A) DBA \_\_\_\_\_

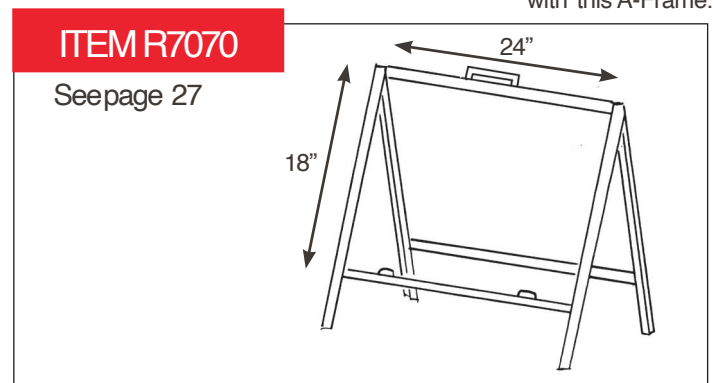
B) Agent name: \_\_\_\_\_

C) Title: \_\_\_\_\_

D) Agent Phone Number: \_\_\_\_\_

E) Agent website or Email: \_\_\_\_\_

These signs work well with this A-Frame.





**ITEM R7025**

**Model A**



**Model B**



**Model C**



**Model D**



24" x 8"

**Directional Sign With Step Stake**

**DESCRIPTION:**

- 2 X 4 mm coroplast signs glued back to back
- Printed 1 side only
- Includes step stake, nuts and bolts
- Weight: 3.75 lbs each

**SPECIFICATION:**

MODEL A  B  C  D

FOR SALE • QTY: \_\_\_\_\_  OPEN HOUSE • QTY: \_\_\_\_\_

10 = \$ 43.35 / ea. (2 boxes)

15 = \$ 40.55 / ea. (3 boxes)

25 = \$ 37.75 / ea. (5 boxes)

Company Name: **Royal LePage**

A) DBA \_\_\_\_\_

**ITEM R7030**

**Model A**



**Model B**



**Model C**



**Model D**



24" x 8"

**Directional Sign**

**DESCRIPTION:**

- 4 mm coroplast
- Printed 1 side only

**SPECIFICATION: MINIMUM 10 EACH DIRECTION, NO MIXING**

MODEL A  B  C  D

Printed 2 sides

10 = \$ 15.30 / ea.

15 = \$ 13.90 / ea.

25 = \$ 13.10 / ea.

Printed 1 side

20 = \$10.45 / ea.

30 = \$ 9.85 / ea.

50 = \$ 9.45 / ea.

FOR SALE → QTY: \_\_\_\_\_ ← QTY: \_\_\_\_\_

OPEN HOUSE → QTY: \_\_\_\_\_ ← QTY: \_\_\_\_\_

Company Name: **Royal LePage**

A) DBA \_\_\_\_\_

## and Stakes

### ITEM R7045



### 24" X 18" Arrow Die-Cut Sign Directional sign with step stake

**DESCRIPTION:**

- 2 X 4 mm coroplast signs glued back to back
- Printed 1 side only
- Includes step stake, nuts and bolts
- Weight: 4.75 pounds each

**SPECIFICATIONS:**

FOR SALE • QTY: \_\_\_\_\_  OPEN HOUSE • QTY: \_\_\_\_\_

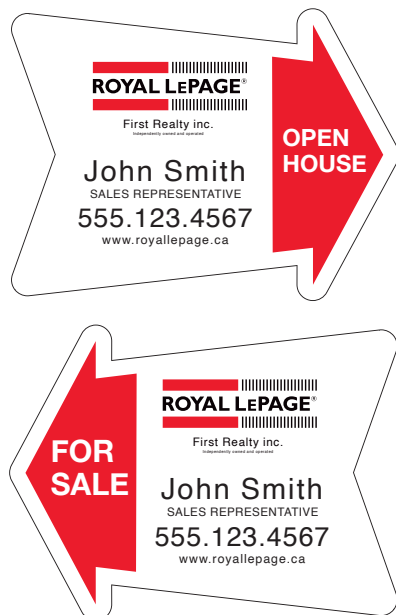
**QUANTITY AND PRICE: NO MIXING**

- 10 = \$ 54.95 / ea. (2 boxes)
- 15 = \$ 52.85 / ea. (3 boxes)
- 25 = \$ 50.75 / ea. (5 boxes)

Company Name: **Royal LePage**

- A) DBA \_\_\_\_\_  
 B) Agent name: \_\_\_\_\_  
 C) Title: \_\_\_\_\_  
 D) Agent Phone Number: \_\_\_\_\_  
 E) Website or Email: \_\_\_\_\_

### ITEM R7050



### Single Sided Arrow Directional Signs

**DESCRIPTION:**

- 4 mm coroplast sign
- Printed 1 side only

**SPECIFICATIONS:**

FOR SALE      → QTY: \_\_\_\_\_      ← QTY: \_\_\_\_\_  
 OPEN HOUSE      → QTY: \_\_\_\_\_      ← QTY: \_\_\_\_\_

**QUANTITY AND PRICE:**

NOMIXING- Minimum order 10 per direction

- 20 = \$ 19.00 each
- 50 = \$ 16.00 each

Company Name: **Royal LePage**

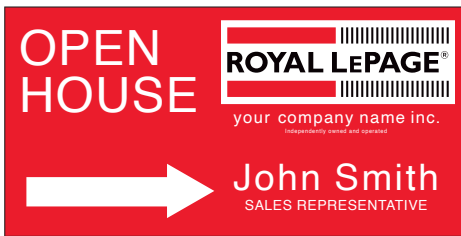
- A) DBA \_\_\_\_\_  
 B) Agent name: \_\_\_\_\_

ITEM R7055

Model A



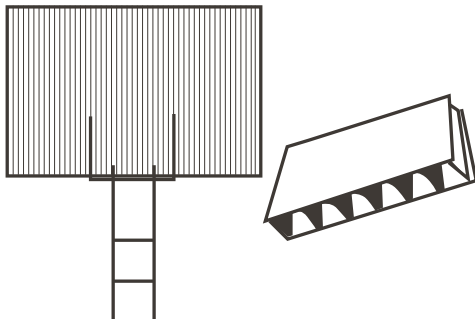
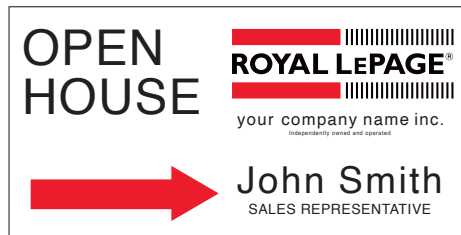
Model B



Model C



Model D



## 24" X 12" Directional Sign With Wire Stakes

DESCRIPTION:

- Printed 2 sides
- With 30" galvanized wire stakes
- Use these lightweight, moisture proof, 4 mm corrugated plastic signs where cost is a factor. They will fit our H-Frame Wire Stakes (sold separately. Signs are available with vertical flutes only and are printed on both sides. Personalized at no extra charge
- Weight: 4.75 pounds each

YARD SIGN PRINTING SPECIFICATIONS:

- A) Company Name: **Royal LePage**  
 B) DBA \_\_\_\_\_  
 C) Title: \_\_\_\_\_  
 D) Agent name: \_\_\_\_\_  
 E) Agent Phone Number: \_\_\_\_\_  
 Specify:  OPENHOUSE or  FORSALE

- MODEL A  B  C  D
- 12 Directional signs & stakes = \$ 22.75 / ea. (1 box)
  - 24 Directional signs & stakes = \$ 21.35 / ea. (2 boxes)
  - 36 Directional signs & stakes = \$ 20.95 / ea. (3 boxes)

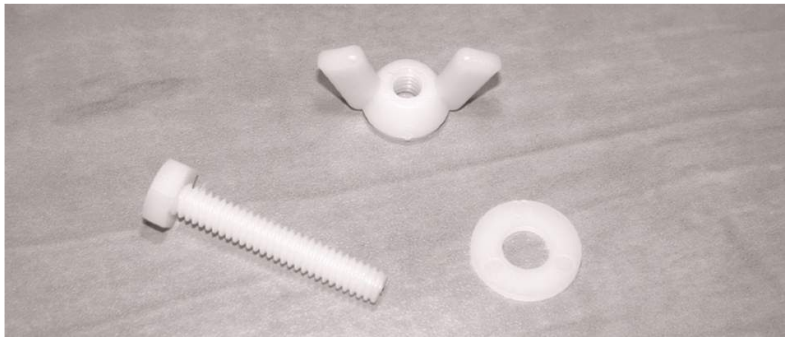
Galvanized Wire Stake

- 10" X 30" galvanised stake
- 1/8" Wire construction
- For use with 4mm Corrugated sign panels
- Affordable and easy to use

## ITEM R7060 Step Stake Nuts And Bolts

**DESCRIPTION:**  
 1 Bag = 10 bolts  
 10 wing nuts  
 20 washers

**PRICE:**  
 \$4.70 each bag

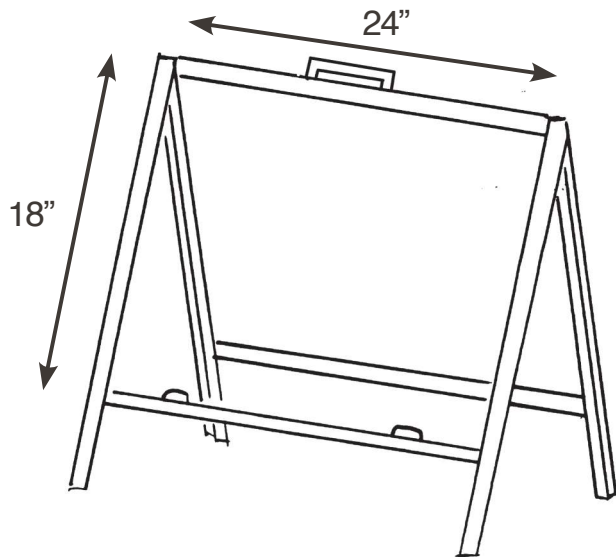


## ITEM R7070 A-Frame or Tent Frame

**DESCRIPTION:**

- Powder coated For OPENHOUSE, FOR SALE and DIRECTIONAL
- Available only in boxes of 4

**PRICE:** \$ 42.90 each frame



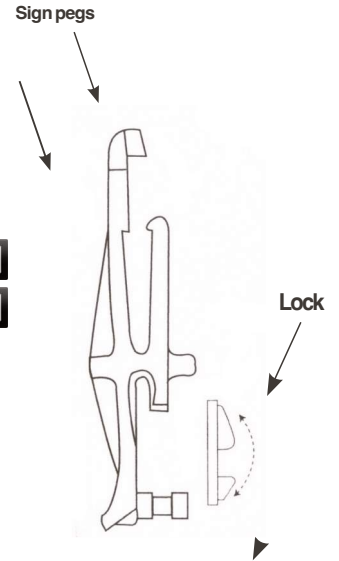
## ITEM R7065 Sign Pegs

**DESCRIPTION:**

- Plastic Sign Holder Pegs
- Packages of 9

**Model A (White)**   
**Model B (Black)**

**PRICE:** \$ 22.00 per bag



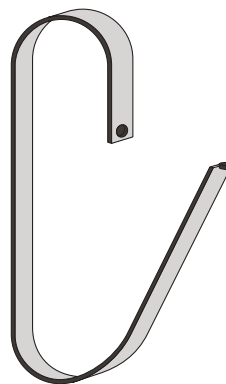
## ITEM R7075 Rider Sign Hanger Clips

**DESCRIPTION:**

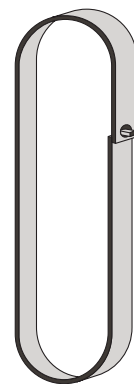
- 100% Stainless Steel Clips, For Hanging Name Rider Signs
- 36 clips per bag

**PRICE:** \$ 29.30 per bag

**OPEN**



**CLOSE**



**ITEM R7085**

**Extra Yard Sign Ground Stakes**

**DESCRIPTION:**

- Powder coated
- Available only in a packages of 3 ground stakes

PRICE:\$ 48.00 per package



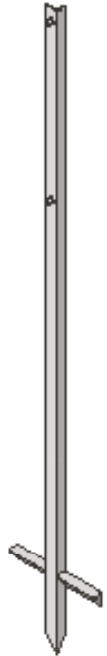
**ITEM R7090**

**Step Stakes**

**DESCRIPTION:**

- Step Stake 48"
- Weight: 2.75 lbs each
- 5 per box (minimum order of 5)
- Includes nylon nuts, bolts and washers
- Powder coated

PRICE:\$ 74.25 per box



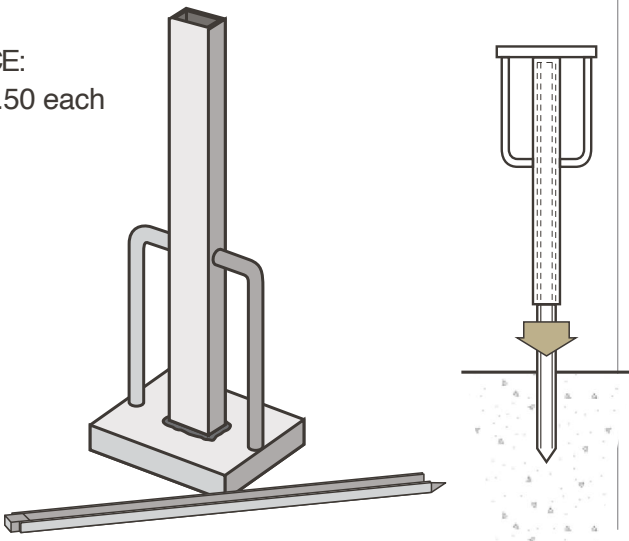
**ITEM R7095**

**Stake Hammer**

**DESCRIPTION:**

- For installing sign stakes
- Avoid flaring top of steel stakes
- Weight: 15 lbs.
- Powder coated

PRICE:  
\$ 74.50 each



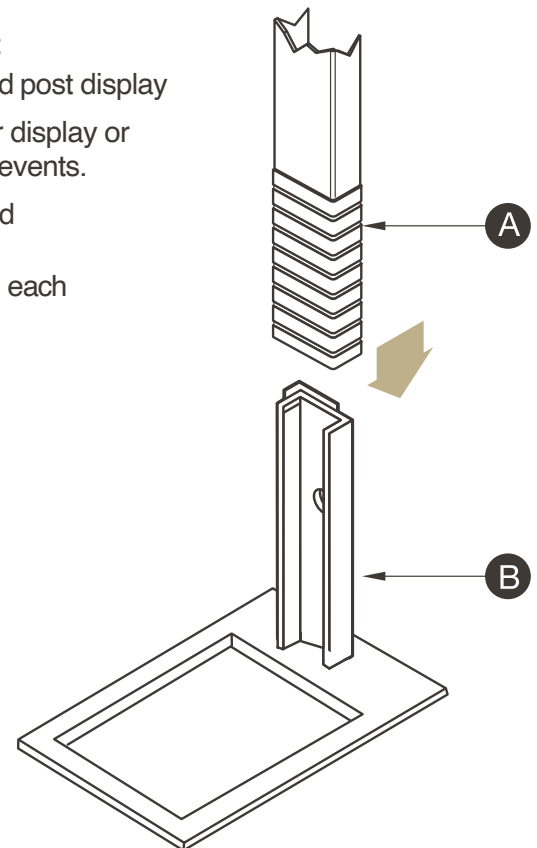
**ITEM R8000**

**Portable Display Base**

**DESCRIPTION:**

- Office sign and post display
- To be used for display or office special events.
- Powder coated

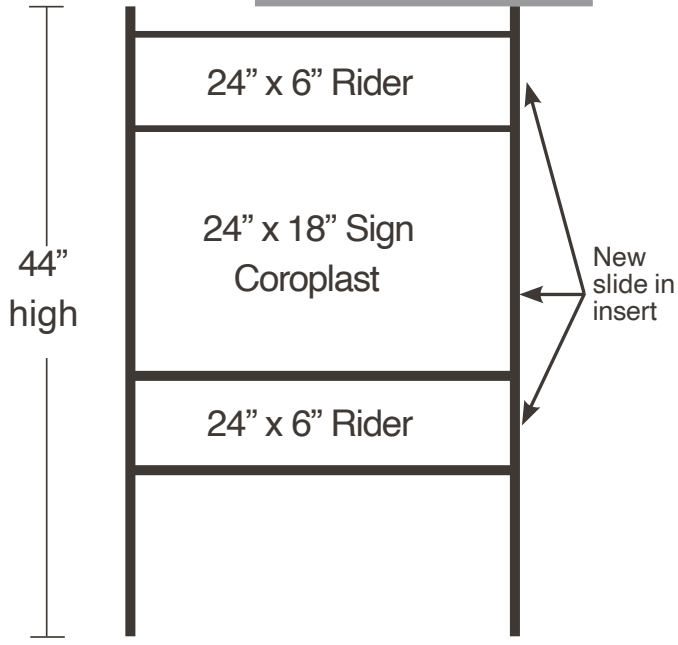
PRICE:\$ 51.20 each



Please Photocopy  
AND ATTACH TO ORDER FORM

**ITEM R7080**

**NEW DESIGN**



## Residential Steel Yard Frame

No installer necessary, quick and easy to install

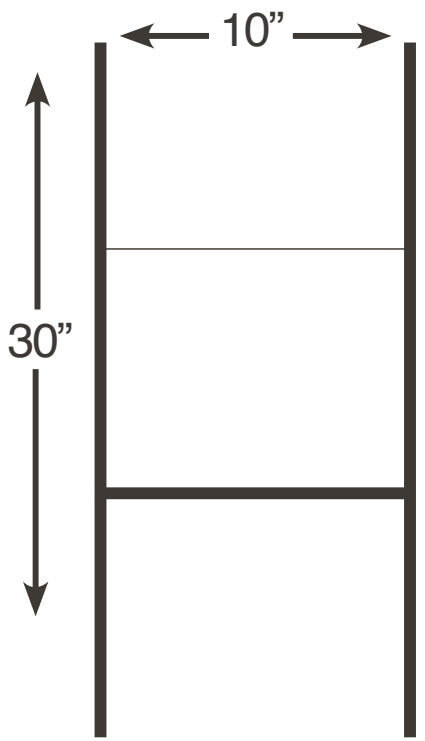
**DESCRIPTION:**

- Accommodates our 24" x 18" 4 mm Coroplast sign (Item #6005) and has special feature for holding sign riders 24" x 6"
- Black powder coat
- 3/4" Steel angle frame
- Package of 4 per box

**QUANTITY AND PRICE:**

- Qty: \_\_\_\_\_
- 4-20 = \$ 57.20 each frame
  - 21-100 = \$ 53.90 each frame

**ITEM R8003**

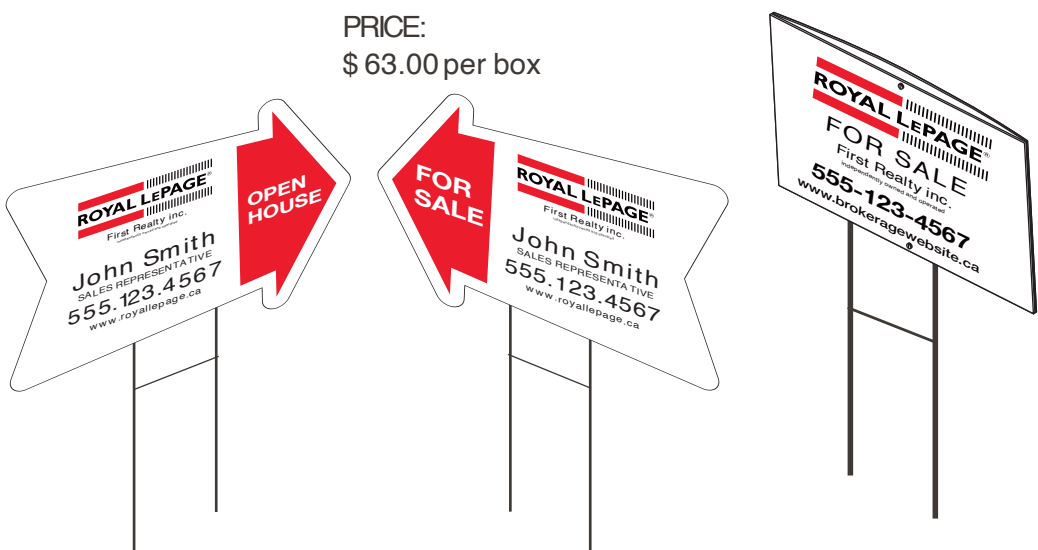


## Quick-Up Coro Stakes

**DESCRIPTION:**

- 1/8" Galvanized Wire Stakes
- Maximum signs size: 24" X 18"
- Does not include sign panels
- 12 wire stakes per box

**PRICE:**  
\$ 63.00 per box



**Please Photocopy AND ATTACH TO ORDER FORM**

ITEM R8030



## Ultrasonic Range Finder

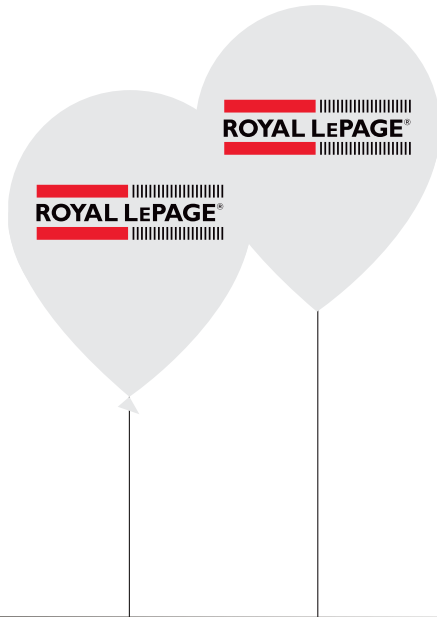
Realtors convenient distance measuring tool

- Automatic conversion between imperial & metric units with the push of a single button
- Measuring range 0.3 - 15 m or 1 foot - 50 feet
- Royal LePage LOGO

PRICE: \$ 33.00 each

Please Photocopy  
AND ATTACH TO ORDER FORM

## ITEM R8015



### Balloons

DESCRIPTION:

- White 12" balloons with Royal LePage black logo printed 2 sides
- Helium quality pure latex

QTY	250	500	1000
PRICE	\$ 77.00	\$ 154.00	\$ 303.00

## ITEM R8020



### Teddy Bear

DESCRIPTION:

- High quality stuffed white bear wearing a red t-shirt with imprint of Royal LePage logo

SIZE: 8" x 11" PRICE: \$ 23.15 each

Please Photocopy  
AND ATTACH TO ORDER FORM



## Yard Signs 60" Sign Post System

### ITEM R8010

#### Umbrella

**DESCRIPTION:**

32" rib length, 64" arc

- Huge 64" umbrella
- 190T eight-panel polyester umbrella
- 14 mm black fiberglass shaft and 4 mm fiberglass ribs
- Blackplastic top and metal tips
- Matching coloured PVC grip handle
- Manual open with hook fastener tie closure
- Wind proof
- Plenty of room two or three people

PRICE: \$33.95 each



**NEW!  
LARGER AND IMPROVED!**

### ITEM R8025

#### Zippered Legal Portfolio

**DESCRIPTION:**

- Koskin material
- Three-sided zipper closure
- Full-length outside zippered pocket
- Inside compartment for documents
- accordion pocket for files
- Inside zippered pocket

PRICE: \$41.35 each

Left front pocket center (4"x8")

Top front pocket center (8"x4")

Left front pocket center (3"x6")

Top pocket center (6"x3")



**Please Photocopy  
AND ATTACH TO ORDER FORM**

**HOW TO ORDER:**

1. Photocopy catalogue page
2. Complete order form
3. Order directly by sending the order form via email.
4. Orders must be accompanied by payment to begin processing.

**ORDERFORM:**

Company name: **Royal LePage**      Realtor name: \_\_\_\_\_

Address: \_\_\_\_\_

City: \_\_\_\_\_ Province: \_\_\_\_\_

Postal code: \_\_\_\_\_

Telephone: (\_\_\_\_) \_\_\_\_\_ Fax: (\_\_\_\_) \_\_\_\_\_

Card holder name: \_\_\_\_\_

Credit card number: \_\_\_\_\_ Expiry date: M / Y \_\_\_\_\_ 3 Digit Code: \_\_\_\_\_

Visa       Mastercard       Amex       E-Transfers

Card holder signature: \_\_\_\_\_

**Terms:**  
You may pay for your merchandise by Visa, MasterCard or American Express. E-Transfers, Cheque or money order in full (including shipping and applicable sales/tax).  
Shipping charges will automatically be added on charge card orders. When ordering by e-transfers, cheques or money order, and you would like to prepay shipping charges, you may call for exact freight charges.  
No C.O.D.'s accepted. Our minimum order is \$40.00. Prices subject to change without notice.  
Home Colonial SignsPost is Not responsible for following individual local or municipal sign restrictions and specifications. If your area has specific sign codes or restrictions you must inform us in writing at the time you place your order.

**Sales/Tax:**  
The appropriate tax will be added to all orders shipped.

**Returns:**  
Merchandise can not be returned without written permission. No refunds can be given on personalized merchandise. All returned merchandise must be shipped freight prepaid.

**FOR EXACT PRINTING DETAILS, SEE OUR CATALOGUE.**

QTY	ITEM NO	SIZE	DESCRIPTION	EACH	TOTAL

**SHIPPING AND BILLING CHARGES:**  
Shipping charges will automatically be included on charge card orders. When ordering by check or money order, and would like to prepay shipping charges, you may call for exact freight charges.

Total Price of items	_____
(See shipping charge information) Shipping Charges	_____
Total amount of Order	_____
H.S.T. or G.S.T. (Canadian Customers Only)	_____
<b>TOTAL</b>	_____
Québec clients, add Q.S.T.	_____
<b>GRAND TOTAL</b>	_____

**NEED A CATALOGUE?**  
[Download it from our website HomeColonialSignpost.com](http://HomeColonialSignpost.com)



**SOLD**

**ROYAL LEPAGE**<sup>®</sup>  
First Realty Inc.  
**FOR SALE**  
Annie Smith  
SALES REPRESENTATIVE  
555.123.4567  
www.brokeragewebsite.ca

**SOLD**

**ROYAL LEPAGE**<sup>®</sup>  
First Realty Inc.  
**FOR SALE**  
Annie Smith  
SALES REPRESENTATIVE  
555.123.4567  
www.brokeragewebsite.ca



1699 Station Road, Mascouche, QC J7L 2J6

T. 450 477-2828 | F. 450 477-6819 | HcsSigns@Sympatico.ca