

HOME COLONIAL SIGNPOST

DIVISION OF ROBWOOD INC

WE SHIP ACROSS CANADA



FOR CATALOGUE UPDATES AND SALE'S PROMOTIONS, PLEASE REFER TO
HomeColonialSignpost.com

REAL ESTATE YARD SIGN CATALOGUE 2024 rev-4

TEL.: 450-477-2828 • FAX: 450-477-6819 • E-mail: HcsSigns@Sympatico.ca



Applicable to all of Canada except Ontario
Each Royal LePage Office is Independently Owned and Operated. ® Registered trademark of Royal LePage Real Estate LLC,
used under license. TM Trademark of Royal LePage Real Estate LLC, used under license.

Applicable to Ontario only
Independently Owned and Operated. ® Registered trademark of Royal LePage Real Estate LLC,
used under license. TM Trademark of Royal LePage Real Estate LLC, used under license.

TABLE OF CONTENTS



How assemble and to Install.....	3
Imagemaker Sign post System	4
Residential Yard Sign 24" X 18"	5
Residential Yard Sign 24" X 26"	6-7-8
Residential Yard Sign 36" X 32"	9-10
Yard Sign 36" X 24"	11
Sign Riders 36" X 8"	12
Carriage Trade 24" X 32"	13
Sign Riders 24" X 6" & 24" X 8"	14
Complete Steel Frame Kit.....	15
Self Promotional Signs	16
Extra Large Commercial Signs 60" X 48"	17
Sign Stickers	18
Sign Post Kit	19-20
Sign Riders.....	21
Directional Signs.....	22-24-25-26
Open House Signs.....	23
Sign Accessories	27-28
Steel Yard Frames	29
Personal Promotional Products.....	30-31-32
Order Form	33

* WHITE COROPLAST CAN BE TRANSLUCENT IN VERY BRIGHT AREAS.

Need a catalogue?

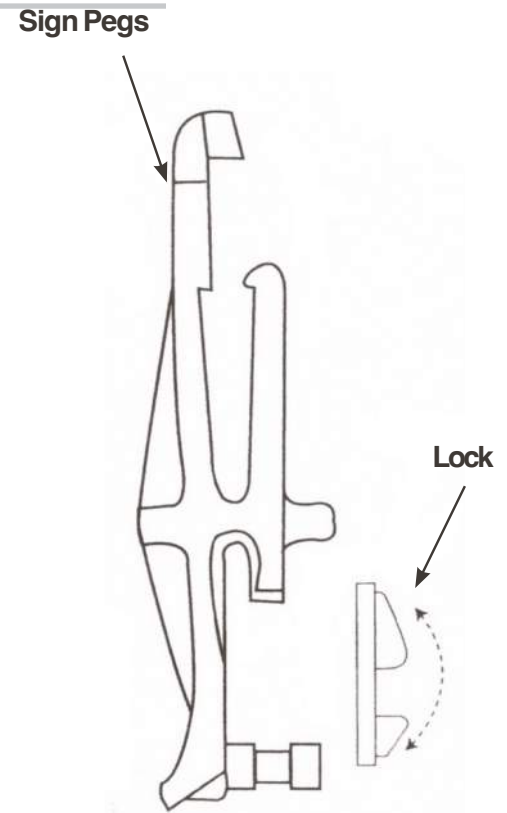
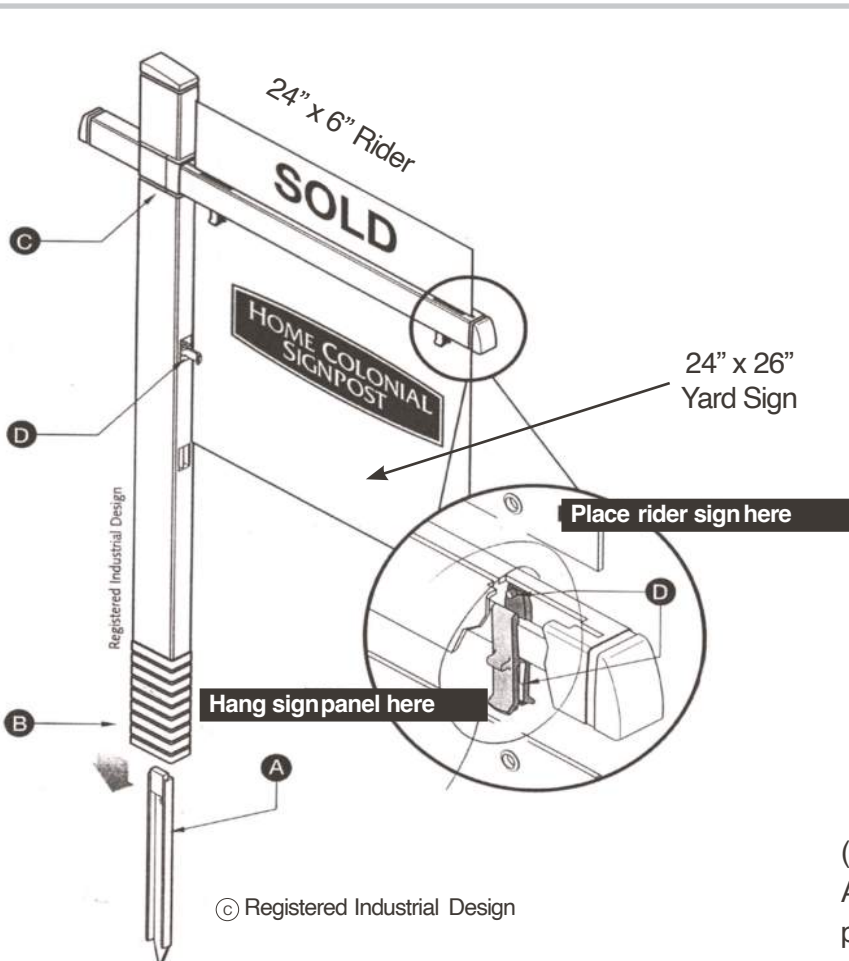
Download it from our website HomeColonialSignpost.com

Applicable to all of Canada except Ontario Each Royal LEPAGE Office is Independently Owned and Operated.

Applicable to Ontario only Independently Owned and Operated.

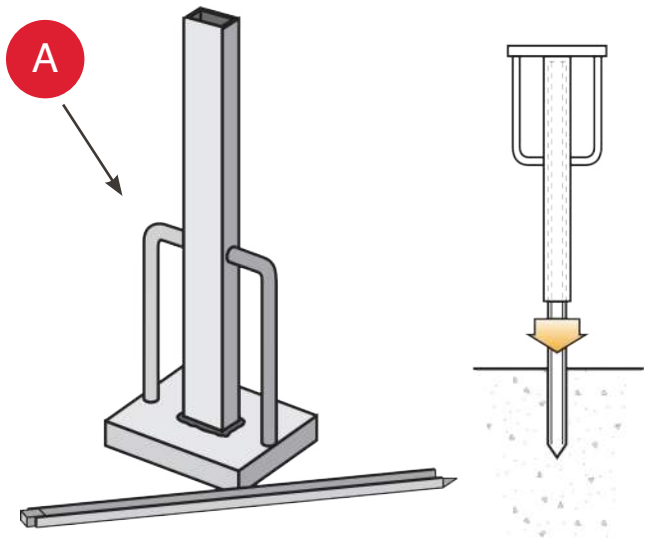
HOW TO ASSEMBLE AND INSTALL

The Igemaker Sign Post



(For hanging main sign panel beneath crossarm, And, for attaching side of main sign panel to upright post to prevent swinging) ®

QUICK'N EASY

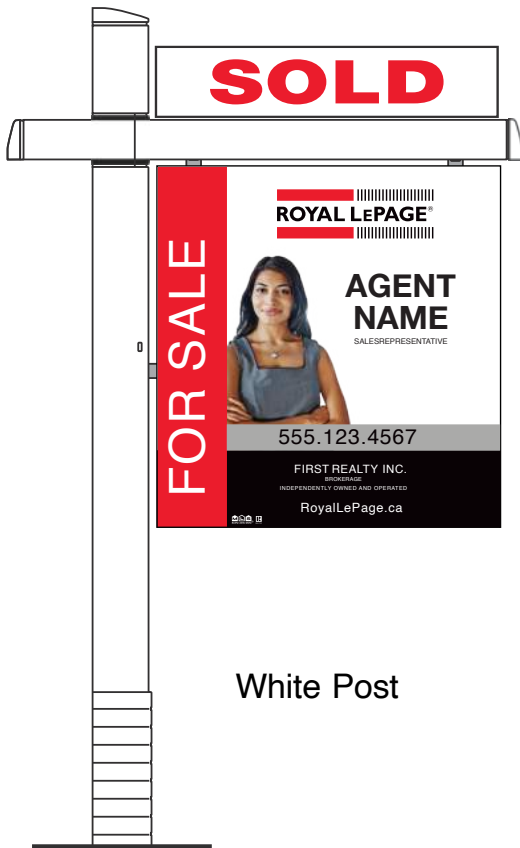


- A** Pound stake into soil using a stake hammer (stop at the yellow line);
- B** Slide upright portion of post onto top of stake;
- C** Slide crossarm portion into upright until snap;
- D** Insert sign pegs in post and hang sign panel;
- E** Slide message rider sign into slot of crossarm;

« Snap Assembly » Sign Post System

ITEM R2005P

Model A



White Post

Model B



Black Post

Includes sign post assembly & ground stake.

QTY:3 Per Box Model A = \$ 90.30 each post
 Model B = \$ 96.95 each post

Available in boxes of 3 only

Quick'n easy to install:

- A) Pound stake into ground with stake hammer
Item R7095, page 28
- B) Slide upright portion of post onto top of stake;
- C) Slide crossarm portion into upright until it snaps;
- D) Insert sign pegs in post until they clip, hang sign panel,
And then slide rider sign into slot of crossarm.

Please Photocopy
AND ATTACH TO ORDER FORM

2 PRODUCT WARRANTY YEARS!*

*Your Imagemaker Signpost warranty covers all defects in materials and workmanship.

The following are not covered by the warranty:

- 1- Units on which the manufacture date has been Defaced, modified or removed.
- 2- Damage or deterioration resulting from:
 - A- Installation or removal of the signpost
 - B- Accident, misuse, abuse, neglect, Unauthorized product modification.
 - C- Installation of parts or accessories that do not conform to the quality or specification of the original sign post or accessories

Yard Signs 60'' Sign Post System

ITEM R6005

24'' x 18'' CORRUGATED PLASTIC SIGN PANEL

DESCRIPTION:

- 4 mm coroplast sign panel
- Imprinted with DBA, phone number and website
- Standard 5 grommet hole pattern
- Choose from two color schemes

SPECIFICATIONS:

Model A B

5 grommets No grommets to fit steel frames

QUANTITY AND PRICE: PRINTED 2 SIDES

6 = \$ 23.80 / ea.

12 = \$ 22.40 / ea.

24 = \$ 21.00 / ea.

Model A



Model B



PRINTED 1 SIDE ONLY

6 = \$ 17.85 / ea.

12 = \$ 16.80 / ea.

24 = \$ 15.75 / ea.

Company Name: **Royal LePage**

DBA _____

B) Agent Phone Number : _____

C) Agent Website or Email: _____

Yard Signs 60" Sign Post System

ITEM R6010

Model A



24" x 26"

YARD SIGN WITH ASSOCIATE IDENTIFIER

DESCRIPTION:

- Printed 2 sides
- 4 mm coroplast office identification sign
- Imprinted with DBA, website, phone number and Agent identifier

SPECIFICATIONS:

Model A B

3 grommets No grommets

QUANTITY AND PRICE:

6 = \$ 33.60 / ea.

12 = \$ 32.20 / ea.

25 = \$ 30.80 / ea.

Company Name: **Royal LePage**

DBA _____

B) Website : _____

C) Office phone Number: _____

D) Agent Name: _____

E) Title: _____

Model B



* Note: For quality purpose, agent photos should be taken at the Highest possible resolution, but no less than 6" x 6" at 300 dpi (dots per inch). Shoot photos in color.

Please Photocopy
AND ATTACH TO ORDER FORM

Yard Signs

ITEM R6015

Model A



24" x 26" YARD SIGN WITH ASSOCIATE IDENTIFIER & AGENT PHOTO

DESCRIPTION:

- Printed 2 sides
- 4 mm coroplast office identification sign
- Imprinted with DBA, website, phone number and Agent identifier
- 3 grommets (2 on top and 1 on left side of sign)

SPECIFICATIONS:

Model A B

3 grommets Nogrommets

Photo on file* Sending photo by email*

QUANTITY AND PRICE:

6 = \$ 33.60 / ea.

12 = \$ 32.20 / ea.

24 = \$ 30.80 / ea.

Model B



Company Name: **Royal LePage**

DBA _____

B) Website : _____

C) Office phone Number: _____

D) Agent Name: _____

E) Title: _____

F) Agent Phone Number: _____

G) Agent Website or Email: _____

* Note: For quality purpose, agent photos should be taken at the highest possible resolution. but no less than 5" x 5.5" at 300 dpi (dots per inch). Shoot photos in color.

**Please Photocopy
AND ATTACH TO ORDER FORM**

Yard Signs

ITEM R6020

Model A



24"x 26" - Yard Sign With Associate Identifier

DESCRIPTION:

- Printed 1 side only
- 4 mm coroplast, office identification sign
- Imprinted with DBA, website and phone number

Model A B

6 = \$ 25.20 / ea.

12 = \$ 24.15 / ea.

24 = \$ 23.35 / ea.

Company Name: **Royal LePage**

A) DBA _____

B) Website: _____

C) Office Phone Number: _____

D) Agent Name: _____

E) Title: _____

ITEM R6025

Model B



24"x 26" Yard Sign With Associate Identifier

DESCRIPTION: DOUBLE

- 2 coroplast signs back to back glued 4 corners
- 4 mm coroplast office identification sign
- Imprinted with DBA, website and phone number

Model A B

6 = \$ 42.00 / ea.

12 = \$ 39.20 / ea.

24 = \$ 38.85 / ea.

Company Name: **Royal LePage**

A) DBA _____

B) Website: _____

C) Office Phone Number: _____

D) Agent Name: _____

E) Title: _____

Please Photocopy
AND ATTACH TO ORDER FORM

ITEM R6030

Model A



36" x 32" Yard Sign With Associate Identifier

DESCRIPTION:

- Printed 2 sides
- Imprinted with DBA, website and phone number
- 4 mm coroplast, office & agent identification sign
- 4 grommets (2 on top and 2 on left side)

Model A B

4 grommets No grommets

3 = \$ 58.80 / ea.

6 = \$ 56.00 / ea.

9 = \$ 53.20 / ea.

12 = \$ 50.40 / ea.

Model B



Company Name: **Royal LePage**

A) DBA _____

B) Agent Name: _____

C) Title: _____

D) Agent Phone Number: _____

E) Agent Website or Email: _____

ITEM R6035

Model A



Model B



36" x 32" Yard Sign With Associate Identifier with agent photo

DESCRIPTION:

- Printed 2 sides
- Imprinted with DBA, website and phone number
- 4 mm coroplast office & agent identification sign
- 3 grommets (2 on top and 2 on left side)

Model A B

3 grommets No grommets

Photo on file* Sending photo by email*

3 = \$ 58.80 / ea.

6 = \$ 56.00 / ea.

9 = \$ 53.20 / ea.

12 = \$ 50.40 / ea.

Company Name: **Royal LePage**

A) DBA _____

B) Website: _____

C) Office Phone Number: _____

D) Agent Name: _____

E) Title: _____

F) Agent Phone Number: _____

G) Agent Website or Email: _____

* Note: For quality purpose, agent photos should be taken at the highest possible resolution, but no less than 5" x 5.5" at 300 dpi (dots per inch). Shoot photos in color.

Please Photocopy
AND ATTACH TO ORDER FORM

Yard Signs 36''

ITEM R6040

Model A



36'' x 24'' Yard Sign With Associate Identifier

DESCRIPTION:

- Printed 2 sides
- Imprinted with DBA, website and phone number
- 4 mm coroplast office & agent identification sign
- 5 grommets (2 on top, 1 left and 2 on left side)

Model A B

5 grommets No grommets

Model B



QUANTITY AND PRICE:

- 5 = \$ 53.20 / ea.
- 10 = \$ 49.00 / ea.
- 15 = \$ 46.20 / ea.
- 20 = \$ 43.40 / ea.

Company Name: **Royal LePage**

A) DBA: _____

B) Website: _____

C) Office Phone Number: _____

Please Photocopy
AND ATTACH TO ORDER FORM

Yard Signs 36"

ITEM R6045

Model A



Model B



36" x 8" Agent Name Rider

Description:

- Printed 2 sides
- 4 mm coroplast office identification sign

Sign model A

6 = \$ 22.65 / ea.

12 = \$ 21.25 / ea.

24 = \$ 19.35 / ea.

2 grommets:

Top Bottom

A) Agent Name: _____

A) Title: _____

C) Agent Phone Number: _____

A) Website: _____

Sign model B (With photo 6" x 6")

6 = \$ 23.60 / ea.

12 = \$ 22.20 / ea.

24 = \$ 20.30 / ea.

2 grommets:

Top Bottom

A) Agent Name: _____

A) Title: _____

C) Agent Phone Number: _____

A) Website: _____

* Note: For quality purpose, agent photos should be taken at the highest possible resolution, but no less than 5.5" x 5.5" at 300 dpi (dots per inch). Shoot photos in color.

Please Photocopy
AND ATTACH TO ORDER FORM

Main Post 60", CrossArm 36"

ITEM R6050

Model A



24" x 32" Carriage Trade Sign

DESCRIPTION:

- 4 mm coroplast office identification sign.
- Imprinted with DBA, website and phone number

Model A

- | | |
|--|--------------------------------------|
| <input type="checkbox"/> 3 = \$ 42.00 / ea. | <input type="checkbox"/> 4 grommets |
| <input type="checkbox"/> 6 = \$ 36.40 / ea. | <input type="checkbox"/> No grommets |
| <input type="checkbox"/> 12 = \$ 35.00 / ea. | |
| <input type="checkbox"/> 24 = \$ 33.60 / ea. | |

Riders 24" x 8

Die-Cut

- 3 = \$ 24.50 / ea.



ITEM R6055



SPECIAL

COMPLETE CARRIAGE TRADE SIGN POST KIT

DESCRIPTION:

A) 3 IMAGE MAKER 60" BLACK SIGN POSTS (1 box) complete with ground stakes & 3 extra pegs

B) 3 Yard signs (24" x 32")

C) 3 Personalized riders with photo

Forward photo in 300 DPI by e-mail to : HcsSigns@Sympatico.ca

- Photo on file Sending photo by email

Logos



Company Name: **Royal LePage**

- A) DBA _____
- B) Agent name: _____
- C) Agent Phone Number: _____
- D) Agent Website or Email: _____



Please Photocopy
AND ATTACH TO ORDER FORM

60" Sign Post System

ITEM R6085

Model A

ANNA SMITH
Sales Representative
555.123.4567

24" x 6 - Agent Name Riders

Description:

- Printed 2 sides
- 4 mm coroplast agent identification sign

Model A

6 = \$ 13.30 / ea.

12 = \$ 11.90 / ea.

24 = \$ 10.50 / ea.

2 grommets:

Top Bottom

Model A

ANNA SMITH
Sales Representative
555.123.4567
yourwebsite.com

Model B



ANNA SMITH
Sales Representative
555.123.4567
yourwebsite.com

24" x 8 - Agent Name Riders

Description:

- Printed 2 sides
- 4 mm coroplast agent identification sign

Model A B (With photo 5.5" x 5.5")

6 = \$ 14.75 / ea.

12 = \$ 13.35 / ea.

24 = \$ 11.95 / ea.

2 grommets:

Top or Bottom

Sign Printing specifications:

A) Agent Name: _____

B) Title: _____

C) Agent Phone Number: _____

D) Agent Website or Email: _____

Photo on file

Sending photo by email

*Note: For quality purpose, agent photos should be taken at the highest possible resolution, but no less than 5.5" x 5.5" at 300 dpi (dots per inch). Color photos can be used.

Please E-mail photo to: HcsSigns@Sympatico.ca

Please Photocopy
AND ATTACH TO ORDER FORM

Complete Steel Frame Kit

ITEM R6075

Model A



Model B



ITEM R6075

B) 8 Steel Frame (2 boxes)

ITEM R6005

B) 8 Yard Signs 24" X 18"

ITEM R6085

C) 8 Name Riders 24" X 6"

ITEM R6090

D) 4 "New Price" 24" X 6"

ITEM R6090

E) 4 "Open Sunday 2 to 4"

ITEM R6090

F) 4 "Sold" 24" X 6"

A value of \$ 900.00
for only **\$ 849.95**

YARD SIGN PRINTING SPECIFICATIONS:

Company Name: **Royal LePage**

A) DBA: _____

B) Website: _____

C) Office Phone Number: _____

D) Agent Name: _____

E) Title: _____

F) Agent Phone Number: _____

G) Agent Website or Email: _____

NEW DESIGN



New slide in insert



ITEM R7080

Steel Frame Item
See page 29

SELF PROMOTIONAL SIGNS

ITEM R6071

Model A



Model B



60" x 48" Extra Large Yard Sign

DESCRIPTION:

- Printed 1 side only
- 6 mm coroplast office identification sign.

SPECIFICATIONS:

Model A B

Photo on file Sending photo by email

QUANTITY AND PRICE:

- 1 = \$ 189.50 / ea.
- 3 = \$ 179.20 / ea.
- 6 = \$ 168.00 / ea.

YARD SIGN PRINTING SPECIFICATIONS:

Company Name: **Royal LePage**

A) DBA _____

B) Website: _____

C) Office Phone Number: _____

D) Agent name: _____

E) Title: _____

F) Agent Phone Number: _____

G) Agent Website or Email: _____

H) Slogan or Message: _____

COMMERCIAL SIGNS

ITEM R6070

Model A



Model B



60" x 48" Extra Large Yard Sign

LARGE, PRINTED ONE SIDED COROPLAST SIGN IDEAL FOR INDUSTRIAL, COMMERCIAL BUILDINGS, OPEN LOTS AND ACREAGE.

Ready to install on buildings, etc. Coroplast signs are inexpensive to ship and easy to install.

Signs should be supported with wooden frame (1" x 3" furring).

DESCRIPTION:

- Printed 1 side only
- 6 mm coroplast office identification sign.

SPECIFICATIONS:

Model A B

QUANTITY AND PRICE:

- 1 = \$ 189.00 / ea.
- 3 = \$ 179.20 / ea.
- 6 = \$ 168.00 / ea.

YARD SIGN PRINTING SPECIFICATIONS:

Company Name: **Royal LePage**

- A) DBA _____
- B) Website: _____
- C) Office Phone Number: _____
- D) Agent name: _____
- E) Title: _____
- F) Agent Phone Number: _____
- G) Agent Website or Email: _____
- H) Slogan or Message: _____

EMAIL US YOUR PRINT AND SIZE FOR A PRICE QUOTE

ITEM R6095

CUSTOM VINYL GRAPHIC STICKERS

Red sticker, white lettering Size of Sticker: _____

White sticker, black lettering

Transparent sticker, white or black lettering

Message print: _____

ITEM R7000

WHITE OR RED STICKERS WITH BLACK OR WHITE LETTERING

SIZE	QUANTITY			
	15	25	50	100
<input type="checkbox"/> 15"X3"	\$4.85 each	\$3.65 each	\$3.25 each	\$2.20 each
<input type="checkbox"/> 21"X3"	\$5.45 each	\$4.15 each	\$3.75 each	\$3.15 each

Message print: _____

ITEM R7005

TRANSPARENT STICKERS WITH WHITE, BLACK OR RED LETTERING

SIZE	QUANTITY			
	15	25	50	100
<input type="checkbox"/> 15"X4"	\$5.65 each	\$4.15 each	\$3.65 each	\$3.40 each

Message print: _____

ITEM R7010

EXTRA LARGE PERSONALIZED STICKERS

SIZE	QUANTITY	
	15	25
<input type="checkbox"/> 24"X7.5"	\$10.70 each	\$8.50 each

Message print: _____

60" Sign Post System

ITEM R9000A



A value of \$ 886.20
for only **\$ 829.95**

SPECIAL

COMPLETE SIGN POST KIT WITH PICTURE Model A

DESCRIPTION:

A) 6 IMAGE MAKER 60" SIGN POSTS (2 boxes)
complete with ground stakes & pegs

B) 6 Yard signs (24" x 26") with associated identifier

C) 12 Message riders (24" x 6")

- 3 "NEW PRICE"
- 3 "Open Sunday 2 to 4"
- 3 "JUST LISTED"
- 3 "SOLD"

Photo on file*

Sending photo by email*

Logos



Company Name: **Royal LePage**

A) DBA _____

B) Agent name: _____

C) Title: _____

D) Agent Phone Number: _____

E) Agent Email: _____

F) Agent Website: _____

* Note: For quality purpose, agent photos should be taken at the highest possible resolution, but no less than 5.5" x 5.5" at 300 dpi (dots per inch). Color photos can be used.

Please E-mail photo to: HcsSigns@Sympatico.ca

ITEM R9000B

SPECIAL

COMPLETE SIGN POST KIT

Model B

DESCRIPTION:

- A) 6 IMAGE MAKER 60" BLACK SIGN POSTS (2 boxes) complete with ground stakes & pegs
- B) 6 Yard signs (24" x 26") with associated identifier
- C) 12 Message riders (24" x 6")
 - 3 "NEW PRICE"
 - 3 "Open Sunday 2 to 4"
 - 3 "JUST LISTED"
 - 3 "SOLD"

- Photo on file* Sending photo by email*

Logos

- (MLS) REALTOR centris

Company Name: **Royal LePage**

- A) DBA _____
- B) Agent name: _____
- C) Title: _____
- D) Agent Phone Number: _____
- E) Agent Email: _____
- F) Agent Website: _____

* Note: For quality purpose, agent photos should be taken at the highest possible resolution, but no less than 5.5" x 5.5" at 300 dpi (dots per inch). Color photos can be used.

Please E-mail photo to: HcsSigns@Sympatico.ca



A value of \$ 926.10
for only **\$ 879.95**

Please Photocopy
AND ATTACH TO ORDER FORM

ITEM R6090

Special Features And Activities / DESCRIPTION:

Printed 2 sides on 4 mm coroplast sign riders (white coroplast can be translucent in very bright areas)

SOLD

SOLD

Model:

A

B

24" x 6"	24" x 8"	36" x 6"	36" x 8"
<input type="checkbox"/> 6 = \$ 13.30 each	<input type="checkbox"/> 6 = \$ 14.25 each	<input type="checkbox"/> 6 = \$ 21.70 each	<input type="checkbox"/> 6 = \$ 22.65 each
<input type="checkbox"/> 12 = \$ 11.90 each	<input type="checkbox"/> 12 = \$ 12.85 each	<input type="checkbox"/> 12 = \$ 20.30 each	<input type="checkbox"/> 12 = \$ 21.25 each
<input type="checkbox"/> 24 = \$ 10.50 each	<input type="checkbox"/> 24 = \$ 11.45 each	<input type="checkbox"/> 24 = \$ 18.90 each	<input type="checkbox"/> 24 = \$ 19.85 each
<input type="checkbox"/> 50 = \$ 10.20 each	<input type="checkbox"/> 50 = \$ 11.15 each	<input type="checkbox"/> 50 = \$ 18.40 each	<input type="checkbox"/> 50 = \$ 19.35 each
<input type="checkbox"/> 100 = \$ 9.95 each	<input type="checkbox"/> 100 = \$ 10.90 each	<input type="checkbox"/> 100 = \$ 17.95 each	<input type="checkbox"/> 100 = \$ 18.90 each

Grommets: Top Bottom Center for steel frames None

NOTE: Minimum of 6 signs, no mixing

Sign #'s: _____ Quantity: _____

Ajouts en Français

Description: _____

7 0 0 Commercial	7 1 2 Open	7 2 3 Open House	7 3 8 Open Sunday 2-4	7 5 1 Must See Inside!
7 0 1 Office	7 1 3 Auction	7 2 4 For Lease	7 4 0 Model Open	7 5 2 New Price!
7 0 2 3 Bedroom	7 1 4 	7 2 7 Lot	7 4 1 Farm	7 5 3 Open Sunday 1-3
7 0 5 Lakefront	7 1 5 Open Sunday 1-4	7 2 8 Sale Pending	7 4 2 Open Saturday	7 5 4 Open Sat. ___ to ___
7 0 6 Swimming Pool	7 1 6 For Sale	7 2 9 Rentals	7 4 3 Open Sunday	7 5 6 Lake Rights
7 0 7 By Appt. Only	7 1 7 Owner Finance	7 3 0 Waterfront	7 4 4 Sold <small>But, we Have Others</small>	7 5 7 Lot #
7 0 8 Sold	7 1 8 Exclusive	7 3 1 Income Property	7 4 5 Acreage	7 5 8 Just Listed
7 0 9 2 Family	7 1 9 Lots	7 3 2 Open House	7 4 8 Duplex	7 5 9 In Contract
7 0 1 4 Bedroom	7 2 0 Price Reduced	7 3 3 For Rent	7 4 9 Home For Sale	7 6 0 Multi-Family
7 1 1 ___ Acres	7 2 2 Available	7 3 5 Build To Suit	7 5 0 Home Warranty	7 6 1 Condo

ITEM R7051



Little House Die-Cut Sign 18" X 18" Directional sign with step stake

DESCRIPTION:

- 2 X 4 mm coroplast signs glued back to back
- Printed 1 side only
- Includes step stake, nuts and bolts
- Weight: 4.75 pounds each

SPECIFICATIONS:

FOR SALE •QTY: _____ OPEN HOUSE •QTY: _____

Model A B C

QUANTITY AND PRICE: (NO MIXING)

- 10 = \$ 52.85 / ea. (2 boxes)
- 15 = \$ 50.75 / ea. (3 boxes)
- 25 = \$ 48.65 / ea. (5 boxes)

Company Name: **Royal LePage**

- A) DBA _____
 B) Agent name: _____
 C) Title: _____
 D) Agent Phone Number: _____

ITEM R7052



Single Sided Little House Directional Signs

DESCRIPTION:

- 4 mm coroplast sign
- Printed 1 side only

SPECIFICATIONS:

FOR SALE → QTY: _____ ← QTY: _____
 OPEN HOUSE → QTY: _____ ← QTY: _____

Model A B C

QUANTITY AND PRICE: (NO MIXING)

- 20 = \$ 17.95 / ea. *Minimum order 10 per direction*

Company Name: **Royal LePage**

- A) DBA _____
 B) Agent name: _____
 C) Title: _____
 D) Agent Phone Number: _____

ITEM R7015

Model A



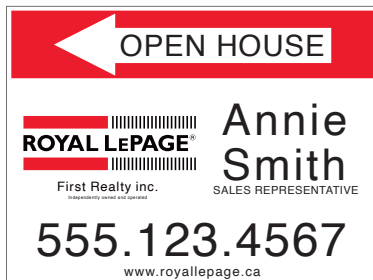
Model B



Model C



Model D



24" x 18" Open House Signs

DESCRIPTION:

- Printed 1 side only
- 4 mm coroplast sign

Minimum order = 12

SPECIFICATIONS:

MODEL A B C D

Writing in red arrow:

- FOR SALE → QTY: ___ ← QTY: ___
- OPEN HOUSE → QTY: ___ ← QTY: ___
- 12 = \$ 16.80 / ea.
- 24 = \$ 15.75 / ea.
- 50 = \$ 14.70 / ea.

Yard Sign Printing Specifications:

Company Name: **Royal LePage**

A) DBA _____

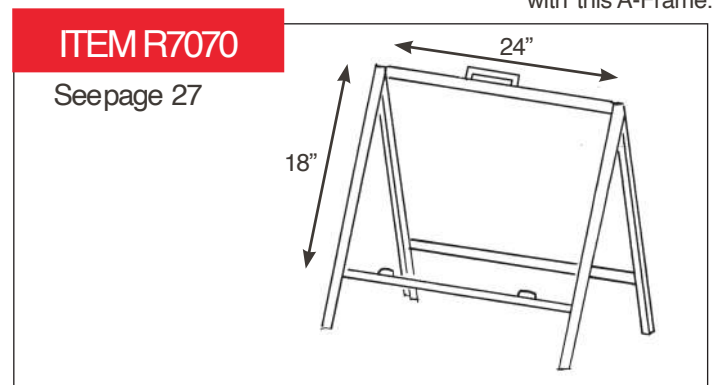
B) Agent name: _____

C) Title: _____

D) Agent Phone Number: _____

E) Agent website or Email: _____

These signs work well with this A-Frame.



ITEM R7025

Model A



Model B



Model C



Model D



24" x 8"

Directional Sign With Step Stake

DESCRIPTION:

- 2 X 4 mm coroplast signs glued back to back
- Printed 1 side only
- Includes step stake, nuts and bolts
- Weight: 3.75 lbs each

SPECIFICATION:

MODEL A B C D

FOR SALE • QTY: _____ OPEN HOUSE • QTY: _____

10 = \$ 43.35 / ea. (2 boxes)

15 = \$ 40.55 / ea. (3 boxes)

25 = \$ 37.75 / ea. (5 boxes)

Company Name: **Royal LePage**

A) DBA _____

ITEM R7030

Model A



Model B



Model C



Model D



24" x 8"

Directional Sign

DESCRIPTION:

- 4 mm coroplast
- Printed 1 side only

SPECIFICATION: MINIMUM 10 EACH DIRECTION, NO MIXING

MODEL A B C D

Printed 2 sides

10 = \$ 15.30 / ea.

15 = \$ 13.90 / ea.

25 = \$ 13.10 / ea.

Printed 1 side

20 = \$10.45 / ea.

30 = \$ 9.85 / ea.

50 = \$ 9.45 / ea.

FOR SALE → QTY: _____ ← QTY: _____

OPEN HOUSE → QTY: _____ ← QTY: _____

Company Name: **Royal LePage**

A) DBA _____

and Stakes

ITEM R7045



24" X 18" Arrow Die-Cut Sign Directional sign with step stake

DESCRIPTION:

- 2 X 4 mm coroplast signs glued back to back
- Printed 1 side only
- Includes step stake, nuts and bolts
- Weight: 4.75 pounds each

SPECIFICATIONS:

FOR SALE • QTY: _____ OPEN HOUSE • QTY: _____

QUANTITY AND PRICE: NO MIXING

- 10 = \$ 54.95 / ea. (2 boxes)
- 15 = \$ 52.85 / ea. (3 boxes)
- 25 = \$ 50.75 / ea. (5 boxes)

Company Name: **Royal LePage**

- A) DBA _____
 B) Agent name: _____
 C) Title: _____
 D) Agent Phone Number: _____
 E) Website or Email: _____

ITEM R7050



Single Sided Arrow Directional Signs

DESCRIPTION:

- 4 mm coroplast sign
- Printed 1 side only

SPECIFICATIONS:

FOR SALE → QTY: _____ ← QTY: _____
 OPEN HOUSE → QTY: _____ ← QTY: _____

QUANTITY AND PRICE:

NOMIXING- Minimum order 10 per direction

- 20 = \$ 19.00 each
- 50 = \$ 16.00 each

Company Name: **Royal LePage**

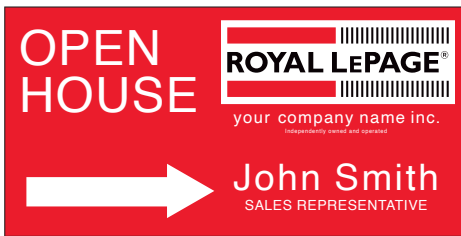
- A) DBA _____
 B) Agent name: _____

ITEM R7055

Model A



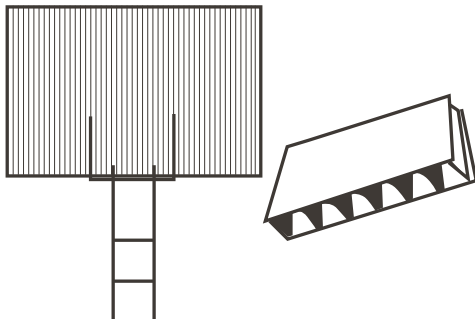
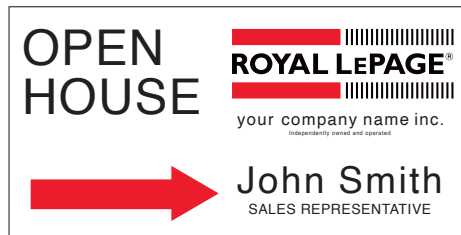
Model B



Model C



Model D



24" X 12" Directional Sign With Wire Stakes

DESCRIPTION:

- Printed 2 sides
- With 30" galvanized wire stakes
- Use these lightweight, moisture proof, 4 mm corrugated plastic signs where cost is a factor. They will fit our H-Frame Wire Stakes (sold separately. Signs are available with vertical flutes only and are printed on both sides. Personalized at no extra charge
- Weight: 4.75 pounds each

YARD SIGN PRINTING SPECIFICATIONS:

- A) Company Name: **Royal LePage**
- B) DBA _____
- C) Title: _____
- D) Agent name: _____
- E) Agent Phone Number: _____
- Specify: OPENHOUSE or FORSALE

- MODEL A B C D
- 12 Directional signs & stakes = \$ 22.75 / ea. (1 box)
- 24 Directional signs & stakes = \$ 21.35 / ea. (2 boxes)
- 36 Directional signs & stakes = \$ 20.95 / ea. (3 boxes)

Galvanized Wire Stake

- 10" X 30" galvanised stake
- 1/8" Wire construction
- For use with 4mm Corrugated sign panels
- Affordable and easy to use

ITEM R7060

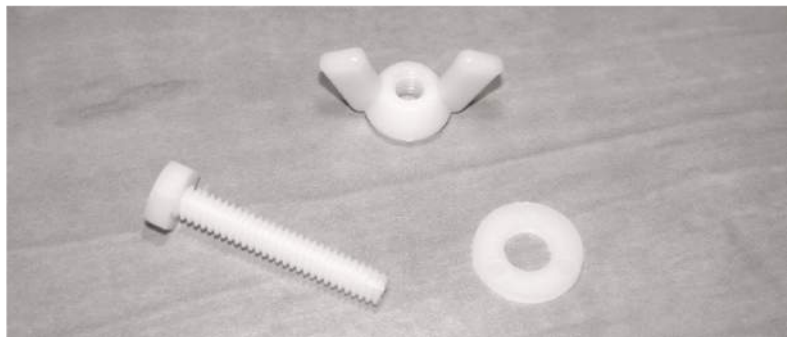
Step Stake Nuts And Bolts

DESCRIPTION:

- 1 Bag = 10 bolts
- 10 wing nuts
- 20 washers

PRICE:

\$4.70 each bag



ITEM R7065

Sign Pegs

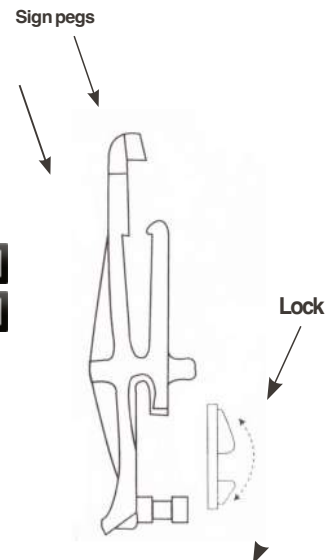
DESCRIPTION:

- Plastic Sign Holder Pegs
- Packages of 9

Model A (White)

Model B (Black)

PRICE: \$ 22.00 per bag



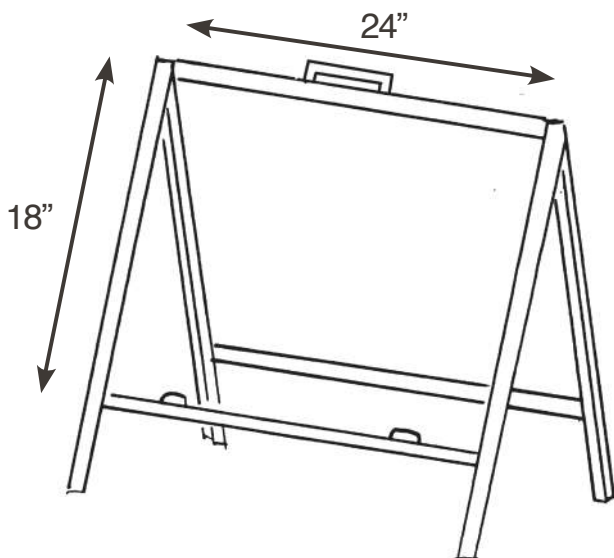
ITEM R7070

A-Frame or Tent Frame

DESCRIPTION:

- Powder coated For OPENHOUSE, FOR SALE and DIRECTIONAL
- Available only in boxes of 4

PRICE: \$ 42.90 each frame



ITEM R7075

Rider Sign Hanger Clips

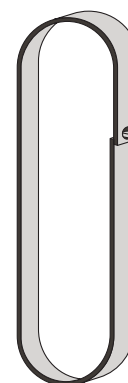
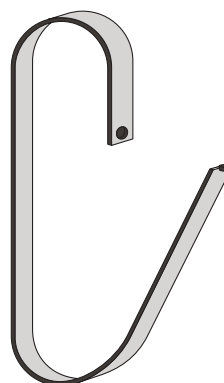
DESCRIPTION:

- 100% Stainless Steel Clips, For Hanging Name Rider Signs
- 36 clips per bag

PRICE: \$ 29.30 per bag

OPEN

CLOSE



ITEM R7085

Extra Yard Sign Ground Stakes

DESCRIPTION:

- Powder coated
- Available only in a packages of 3 ground stakes

PRICE:\$ 43.50 per package



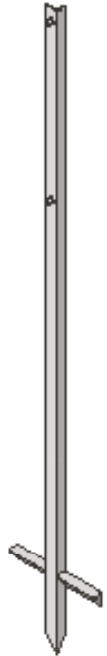
ITEM R7090

Step Stakes

DESCRIPTION:

- Step Stake 48"
- Weight: 2.75 lbs each
- 5 per box (minimum order of 5)
- Includes nylon nuts, bolts and washers
- Powder coated

PRICE:\$ 74.25 per box



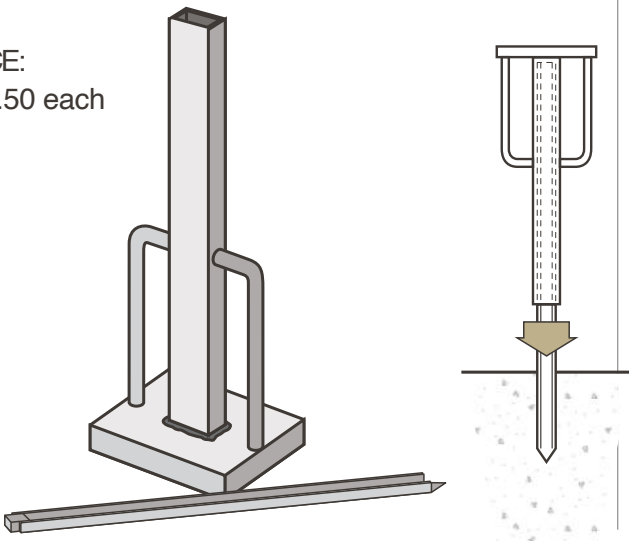
ITEM R7095

Stake Hammer

DESCRIPTION:

- For installing sign stakes
- Avoid flaring top of steel stakes
- Weight: 15 lbs.
- Powder coated

PRICE:
\$ 74.50 each



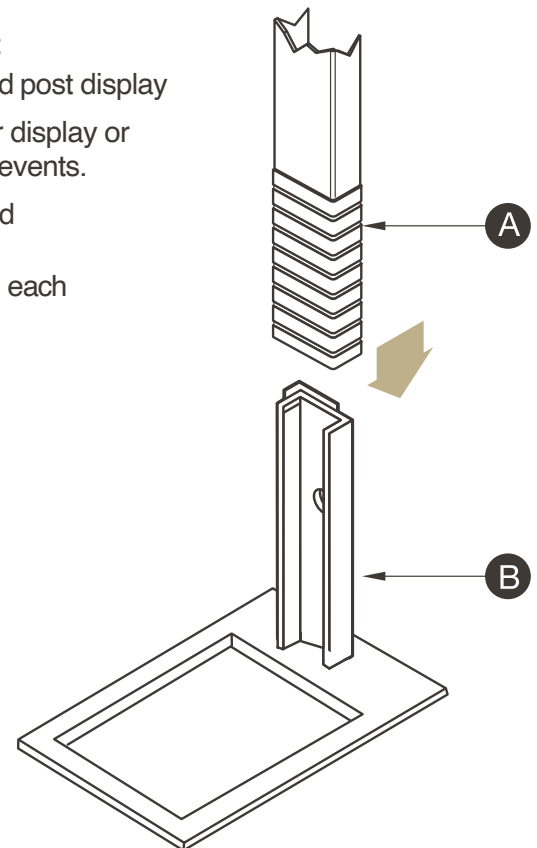
ITEM R8000

Portable Display Base

DESCRIPTION:

- Office sign and post display
- To be used for display or office special events.
- Powder coated

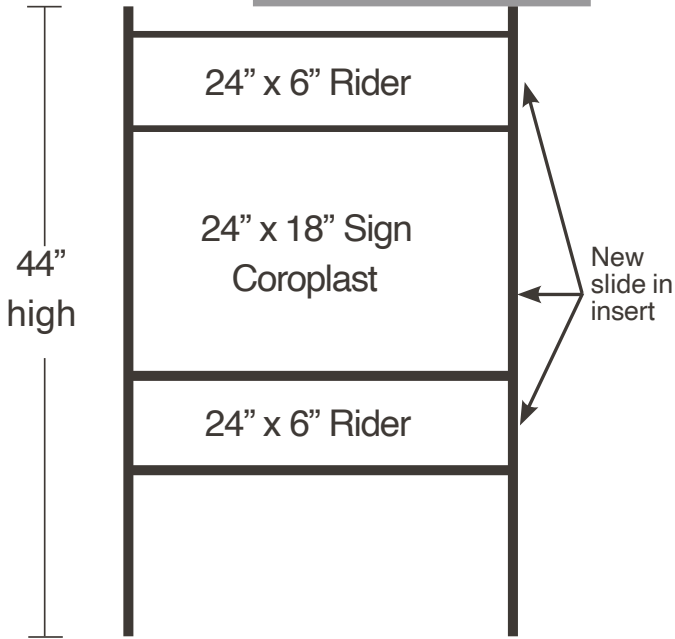
PRICE:\$ 51.20 each



Please Photocopy
AND ATTACH TO ORDER FORM

ITEM R7080

NEW DESIGN



Residential Steel Yard Frame

No installer necessary, quick and easy to install

DESCRIPTION:

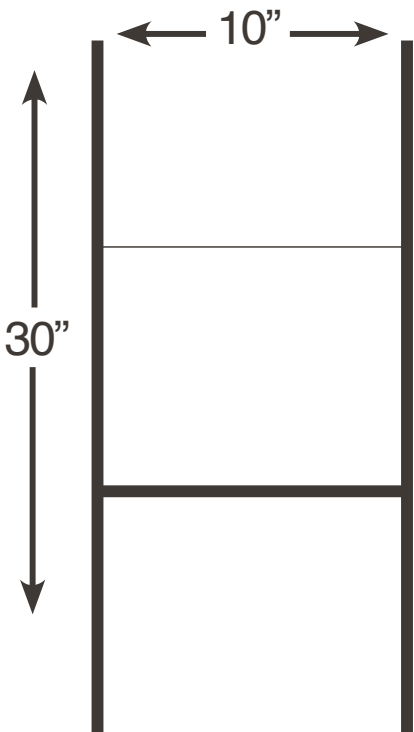
- Accommodates our 24" x 18" 4 mm Coroplast sign (Item #6005) and has special feature for holding sign riders 24" x 6"
- Black powder coat
- 3/4" Steel angle frame
- Package of 4 per box

QUANTITY AND PRICE:

Qty: _____

- 4-20 = \$ 57.20 each frame
- 21-100 = \$ 53.90 each frame

ITEM R8003



Quick-Up Coro Stakes

DESCRIPTION:

- 1/8" Galvanized Wire Stakes
- Maximum signs size: 24" X 18"
- Does not include sign panels
- 12 wire stakes per box

PRICE:
\$ 63.00 per box



**Please Photocopy
AND ATTACH TO ORDER FORM**

ITEM R8030



Ultrasonic Range Finder

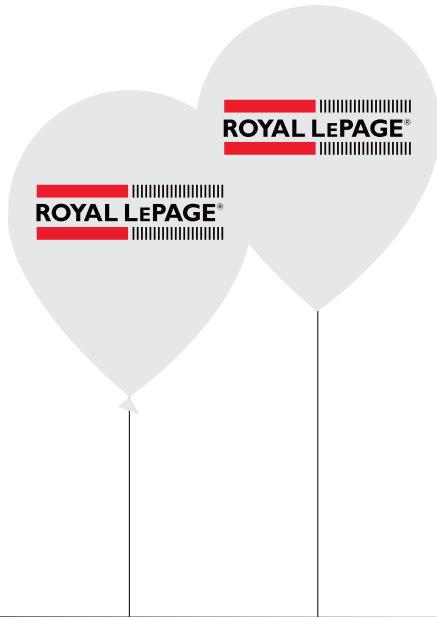
Realtors convenient distance measuring tool

- Automatic conversion between imperial & metric units with the push of a single button
- Measuring range 0.3 - 15 m or 1 foot - 50 feet
- Royal LePage LOGO

PRICE: \$ 33.00 each

Please Photocopy
AND ATTACH TO ORDER FORM

ITEM R8015



Balloons

DESCRIPTION:

- White 12" balloons with Royal LePage black logo printed 2 sides
- Helium quality pure latex

QTY	250	500	1000
PRICE	\$ 77.00	\$ 154.00	\$ 303.00

ITEM R8020



Teddy Bear

DESCRIPTION:

- High quality stuffed white bear wearing a red t-shirt with imprint of Royal LePage logo

SIZE: 8" x 11" PRICE: \$ 23.15 each

Please Photocopy
AND ATTACH TO ORDER FORM

Yard Signs 60" Sign Post System

ITEM R8010

Umbrella

DESCRIPTION:

32" rib length, 64" arc

- Huge 64" umbrella
- 190T eight-panel polyester umbrella
- 14 mm black fiberglass shaft and 4 mm fiberglass ribs
- Black plastic top and metal tips
- Matching coloured PVC grip handle
- Manual open with hook fastener tie closure
- Wind proof
- Plenty of room two or three people

PRICE: \$33.95 each



ITEM R8025

Zippered Legal Portfolio

DESCRIPTION:

- Koskin material
- Three-sided zipper closure
- Full-length outside zippered pocket
- Inside compartment for documents
- accordion pocket for files
- Inside zippered pocket

PRICE: \$41.35 each

Left front pocket center (4"x8")

Top front pocket center (8"x4")

Left front pocket center (3"x6")

Top pocket center (6"x3")



Please Photocopy
AND ATTACH TO ORDER FORM

HOW TO ORDER:

1. Photocopy catalogue page
2. Complete order form
3. Order directly by sending the order form via email.
4. Orders must be accompanied by payment to begin processing.

ORDERFORM:

Company name: **Royal LePage** Realter name: _____

Address: _____

City: _____ Province: _____

Postal code: _____

Telephone: (____) _____ Fax: (____) _____

Card holder name: _____

Credit card number: _____ Expiry date: M / Y _____ 3 Digit Code: _____

Visa
 Mastercard
 Amex
 E-Transfers

Card holder signature: _____

Terms:

You may pay for your merchandise by Visa, MasterCard or American Express. E-Transfers, Cheque or money order in full (including shipping and applicable sales/tax).

Shipping charges will automatically be added on charge card orders. When ordering by e-transfers, cheques or money order, and you would like to prepay shipping charges, you may call for exact freight charges.

No C.O.D.'s accepted. Our minimum order is \$40.00. Prices subject to change without notice.

Home Colonial SignsPost is Not responsible for following individual local or municipal sign restrictions and specifications. If your area has specific sign codes or restrictions you must inform us in writing at the time you place your order.

Sales/Tax:

The appropriate tax will be added to all orders shipped.

Returns:

Merchandise can not be returned without written permission. No refunds can be given on personalized merchandise. All returned merchandise must be shipped freight prepaid.

FOR EXACT PRINTING DETAILS, SEE OUR CATALOGUE.

QTY	ITEM NO	SIZE	DESCRIPTION	EACH	TOTAL

SHIPPING AND BILLING CHARGES:

Shipping charges will automatically be included on charge card orders. When ordering by check or money order, and would like to prepay shipping charges, you may call for exact freight charges.

Total Price of items	_____
(See shipping charge information) Shipping Charges	_____
Total amount of Order	_____
H.S.T. or G.S.T. (Canadian Customers Only)	_____
TOTAL	_____
Québec clients, add Q.S.T.	_____
GRAND TOTAL	_____

NEEDA CATALOGUE?
 Download it from our website HomeColonialSignpost.com



1699 Station Road, Mascouche, QC J7L 2J6

T. 450 477-2828 | F. 450 477-6819 | HcsSigns@Sympatico.ca