

HOME COLONIAL SIGNPOST

DIVISION OF BWOOD INC

WE SHIP ACROSS CANADA



FOR CATALOGUE UPDATES AND SALE'S PROMOTIONS, PLEASE REFER TO
homecolonialsignpost.com

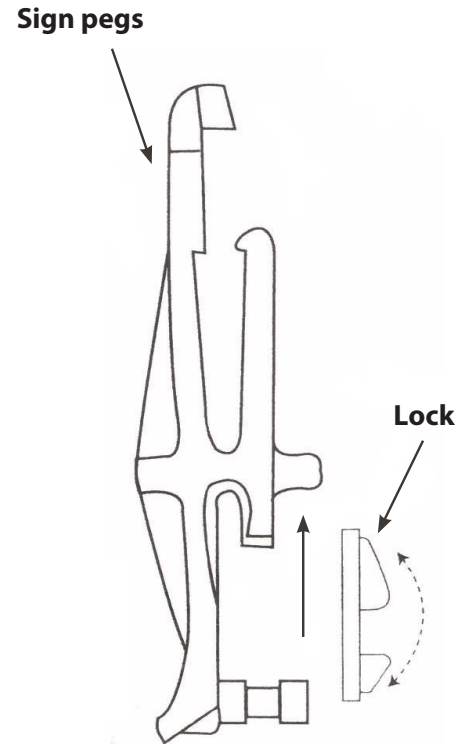
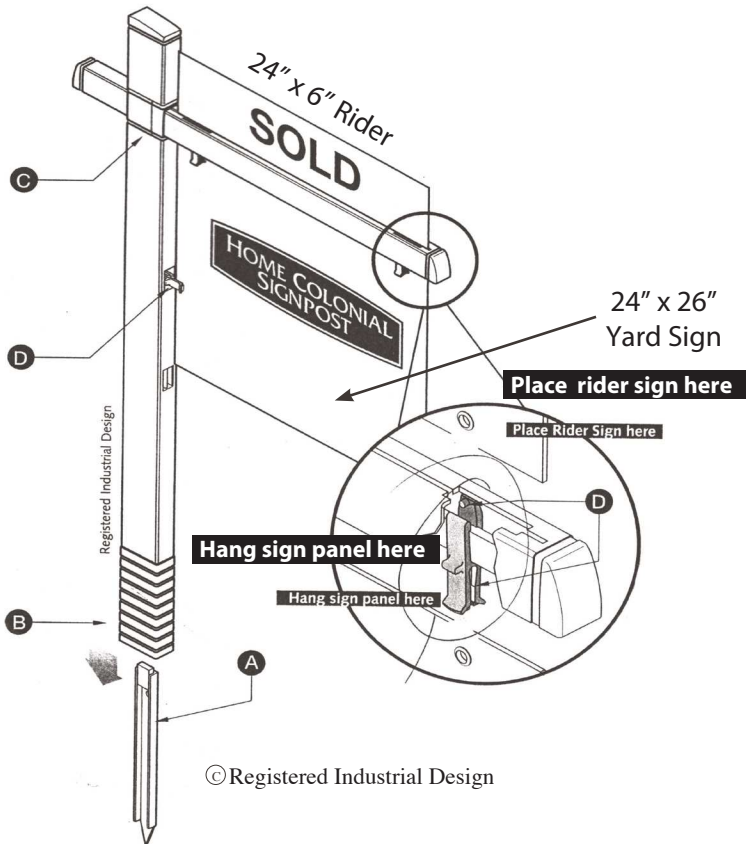
REAL ESTATE YARD SIGN CATALOGUE
TEL.: 450-477-2828 • E-mail: hcssigns@sympatico.ca



**HOME COLONIAL
SIGNPOST**
DIVISION OF ROBWOOD INC

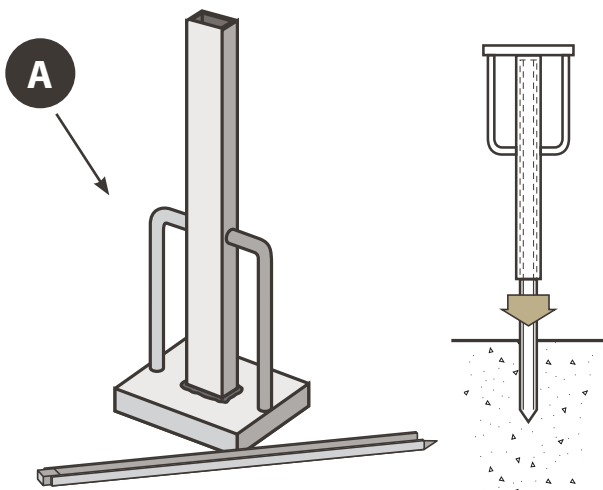
- ▶ How to install 3
- ▶ Iimagemaker sign post..... 4
- ▶ Residential Yard Signs 60” Post System 5-6-7-8
- ▶ Residential 36” Yard Signs 9-10-11
- ▶ Name Riders Personalize your Rider with a photo..... 12-13
- ▶ Complete Steel Frame Kit Special 14
- ▶ Extra large Commercial Signs 15
- ▶ Sterling Series Yard Signs 16-17-18
- ▶ Sign Post kit 19
- ▶ Sign Riders..... 20
- ▶ Sign Stickers 21
- ▶ Open House Signs 22
- ▶ Directional Sign23-24-25-26
- ▶ Quick-up Directional Signs27
- ▶ Sign Accessories..... 28-29
- ▶ Order Form 30

The Imagemaker Sign Post



(For hanging main sign panel beneath cross-arm, and, for attaching side of main sign panel to upright post to prevent swinging)

QUICK'N EASY



- A** Pound stake into soil using a stake hammer (stop at the yellow line);
- B** Slide upright portion of post onto top of stake;
- C** Slide cross arm portion into upright until snap;
- D** Insert sign pegs in post and hang sign panel;
- E** Slide message rider sign into slot of cross arm;

« Snap Assembly » Sign Post System

Main Post 60", Cross Arm 36"

ITEM S2005P



Includes sign post assembly & ground stake.

QTY: 3 Per Box Model A = \$ 82.30 each post
 Model B = \$ 86.30 each post

Available in boxes of 3 only

Quick'n easy to install:

- Pound stake into ground with stake hammer
Item #7095, page 30
- Slide upright portion of post onto top of stake;
- Slide cross arm portion into upright until it snaps;
- Insert sign pegs in post until they clip, hang sign panel, and then slide rider sign into slot of cross arm.

2 PRODUCT WARRANTY YEARS!*

*Your Imagemaker Signpost warranty covers all defects in materials and workmanship.

The following are not covered by the warranty:

- Units on which the manufacture date has been defaced, modified or removed.**
- Damage or deterioration resulting from:**
 - Installation or removal of the signpost
 - Accident, misuse, abuse, neglect, unauthorized product modification.
 - Installation of parts or accessories that do not conform to the quality or specification of the original sign post or accessories

Yard Signs 60" Sign Post System

ITEM S6005

24" x 18" - Corrugated Plastic Sign Panel - 4 mm

Model A



Model B



DESCRIPTION:

- Printed 2 sides
- Imprinted with DBA, phone number and website
- Standard 5 grommets hole pattern

Choose from two color schemes!

Model A Model B

5 grommets No grommet

To fit Steel Frames

6 = \$ 25.00 each

12 = \$ 18.70 each

25 = \$ 18.20 each

YARD SIGN PRINTING SPECIFICATIONS:

Company Name: **SUTTON**

A) DBA _____

D) Website: _____

E) Office Phone Number: _____

Logos

(MLS)

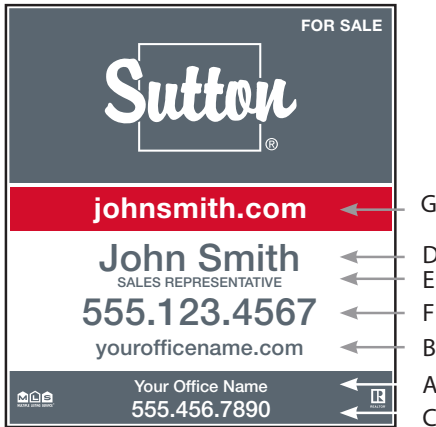
Yard Signs 60" Sign Post System

ITEM S6010

Model A



Model B



Model C



24" x 26"
Yard Sign With Associate Identifier

DESCRIPTION:

- Printed 2 sides
- 4 mm coroplast office identification sign
- Imprinted with DBA, phone number and website
- White coroplast can be translucent in very bright areas

Choose from three color schemes!

Model A Model B Model C

3 grommets No grommet

- 6 = \$ 30.60 each
- 12 = \$ 24.40 each
- 25 = \$ 22.85 each

YARD SIGN PRINTING SPECIFICATIONS:

Company Name: **SUTTON**

- A) DBA: _____
- B) Website: _____
- C) Office Phone Number: _____
- D) Agent Name: _____
- E) Title: _____
- F) Agent Phone Number: _____
- G) Agent Website or Email: _____

Logos



Yard Signs 60" Sign Post System

ITEM S6015

Model A



Model B



Model C



24" x 26"

Yard Sign With Associate Identifier & Agent Photo

DESCRIPTION:

- Printed 2 sides
- 4 mm coroplast office identification sign
- Imprinted with DBA, phone number and website
- White coroplast can be translucent in very bright areas

Choose from three color schemes!

Model A Model B Model C

3 grommets No grommet

Photo on file Sending photo by email

Forward photo in 300 DPI by Email to: hcssigns@sympatico.ca

- 6 = \$ 30.60 each
- 12 = \$ 24.40 each
- 25 = \$ 22.85 each

YARD SIGN PRINTING SPECIFICATIONS:

Company Name: **SUTTON**

- A) DBA: _____
- B) Website: _____
- C) Office Phone Number: _____
- D) Agent Name: _____
- E) Title: _____
- F) Agent Phone Number: _____
- G) Agent Website or Email: _____

Logos:



* Note: For quality purpose, agent photos should be taken at the highest possible resolution, but no less than 5.5" x 5.5" at 300 dpi (dots per inch). Shoot photos in black and white. Color photos can be used, but the sophistication of black and white are recommended because they are more elegant, modern and professional.

Please Photocopy
AND ATTACH TO ORDER FORM

Yard Signs 60" Sign Post System

ITEM S6020

Model A



Logos



24"x 26" - Yard Sign With Associate Identifier

DESCRIPTION:

• **Printed 1 side only**

- 4 mm coroplast office identification sign
- Imprinted with DBA, Website and phone number

Choose from two color schemes!

Model A Model B

15 = \$ 19.50 each

30 = \$ 18.85 each

50 = \$ 18.05 each

Company Name: **SUTTON**

A) DBA _____

B) Agent Name: _____

C) Title: _____

D) Agent Website or Email Agent Name: _____

E) Agent Phone Number: _____

ITEM S6025

Model B



Logos



24"x 26" Yard sign with associate identifier

DESCRIPTION: **DOUBLE**

• **2 coroplast signs back to back glued 4 corners**

- 4 mm coroplast office identification sign
- Imprinted with DBA, Website and phone number

Choose from two color schemes!

Model A Model B

5 = \$ 37.55 each

10 = \$ 36.60 each

Company Name: **SUTTON**

A) DBA _____

B) Agent Name: _____

C) Title: _____

D) Agent Website or Email Agent Name: _____

E) Agent Phone Number: _____

Please Photocopy
AND ATTACH TO ORDER FORM

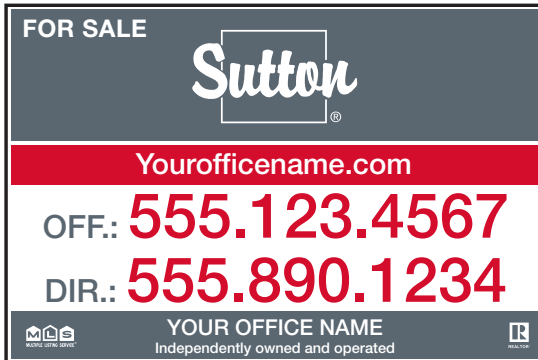
36" Yard Signs

ITEM S6040

Model A



Model B



36" x 24" - Yard Sign

DESCRIPTION:

- **Printed 2 sides**
- 4 mm coroplast office identification sign
- Imprinted with DBA, Website and phone number
- White coroplast can be translucent in very bright areas

YARD SIGN PRINTING SPECIFICATIONS:

Choose from three color schemes!

Model A Model B

5 grommets No grommet

- 5 grommets (two(2) on top, one (1) left and two (2) on bottom)

6 = \$ 37.60 each

12 = \$ 34.65 each

25 = \$ 32.85 each

50 = \$ 32.15 each

Company Name: **SUTTON**

A) DBA _____

B) Website: _____

C) Office Phone Number _____

F) Director Phone Number: _____

Logos:



Please Photocopy
AND ATTACH TO ORDER FORM

36" Yard Signs

ITEM S6035

Model A



Model B



36" x 32" Yard Sign with associate identifier & Agent Photo

DESCRIPTION:

- **Printed 2 sides**

Choose from two color schemes!

Imprinted with DBA, Website and phone number

- 4 mm coroplast office & agent identification sign
- 4 grommets (2 on top and 2 on left side)

Model A Model B

5 = \$ 46.00 each

10 = \$ 45.10 each

15 = \$ 44.40 each

Photo on file Sending photo by email

Forward photo in 300 DPI by Email to: hcssigns@sympatico.ca

Company Name: **SUTTON**

A) DBA _____

B) Agent Name: _____

C) Title: _____

D) Agent Phone Number: _____

E) Agent Website or Email: _____

Logos:



* Note: For quality purpose, agent photos should be taken at the highest possible resolution, but no less than 5.5" x 5.5" at 300 dpi (dots per inch). Shoot photos in black and white. Color photos can be used, but the sophistication of black and white are recommended because they are more elegant, modern and professional.

36" Yard Signs

ITEM S6030

Model A



Model B



36" x 32" Yard Sign with associate identifier

DESCRIPTION:

- **Printed 2 sides**

Choose from two color schemes!

Imprinted with DBA, Website and phone number

- 4 mm coroplast office & agent identification sign
- 4 grommets (2 on top and 2 on left side)

Model A Model B

- 5 = \$ 46.00 each
- 10 = \$ 45.10 each
- 15 = \$ 44.40 each

Photo on file Sending photo by email

Forward photo in 300 DPI by Email to: hcssigns@sympatico.ca

Company Name: **SUTTON**

A) DBA _____

B) Agent Name: _____

C) Title: _____

D) Agent Phone Number: _____

E) Agent Website or Email: _____

Logos:



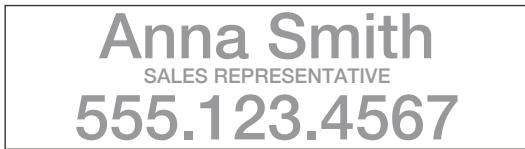
* Note: For quality purpose, agent photos should be taken at the highest possible resolution, but no less than 5.5" x 5.5" at 300 dpi (dots per inch). Shoot photos in black and white. Color photos can be used, but the sophistication of black and white are recommended because they are more elegant, modern and professional.

Please Photocopy
AND ATTACH TO ORDER FORM

Personalize Your Rider With a Photo

ITEM S6085

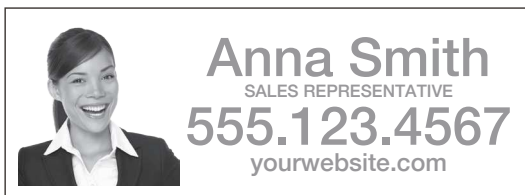
Model A



Model B



Model C



Model D



* Note: For quality purpose, agent photos should be taken at the highest possible resolution, but no less than 5.5" x 5.5" at 300 dpi (dots per inch). Color photos can be used.

24" x 6 - Agent Name Riders

Description:

- **Printed 2 sides**
- 4 mm coroplast agent identification sign

Model A

12 = \$ 10.40 each

25 = \$ 8.80 each

2 grommets:

Top or Bottom

Center print for steel frames

24" x 8 - Agent Name Riders

Description:

- **Printed 2 sides**
- 4 mm coroplast agent identification sign

Model A **Model B** **Model C** **Model D**

12 = \$ 11.80 each With photo 5.5" x 5.5"

25 = \$ 10.25 each

2 grommets:

Top or Bottom

Sign Printing specifications:

A) Agent Name: _____

B) Title: _____

C) Agent Phone Number: _____

Photo on file **Sending photo by email**

Forward photo in 300 DPI by Email to: hcssigns@sympatico.ca

Personalize Your Rider With a Photo

ITEM S6045

Model A



Model B



Model C



Model D



36" x 8" Name Rider

Description:

- **Printed 2 sides**
- 4 mm coroplast agent identification sign

Sign model - A or B or C or D

12 = \$ 14.65 each With photo 6" x 6"

25 = \$ 13.10 each

2 grommets:

Top or Bottom

A) Agent Name: _____

A) Title: _____

C) Agent Phone Number: _____

A) Website: _____

* Note: For quality purpose, agent photos should be taken at the highest possible resolution, but no less than 5.5" x 5.5" at 300 dpi (dots per inch). Color photos can be used.

Please Photocopy
AND ATTACH TO ORDER FORM

Complete Steel Frame Kit

ITEM S6075

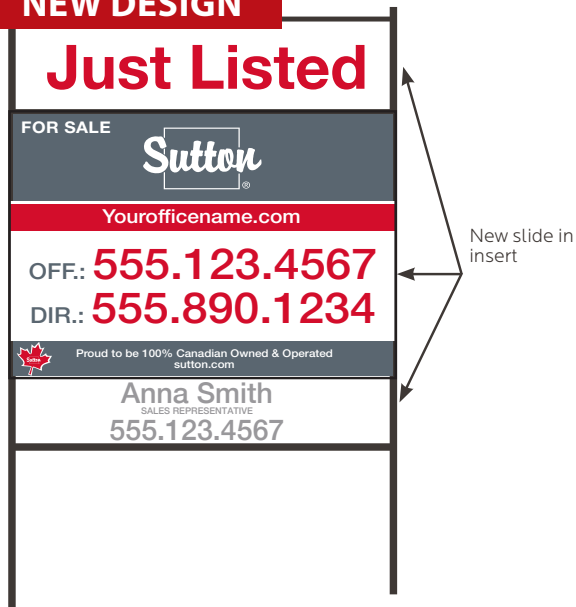


Logos



A value of \$ 830.15
for only **\$781.00**

NEW DESIGN



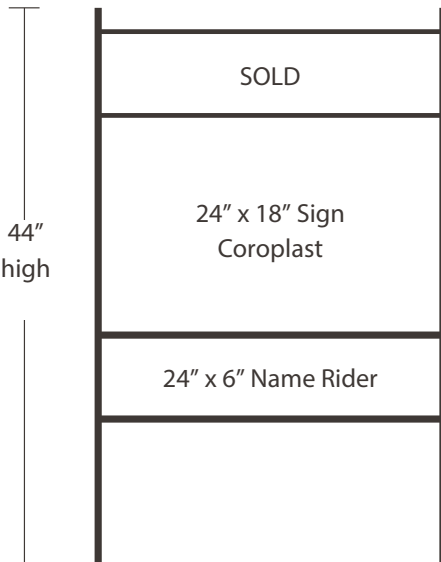
SPECIAL

- (ITEM 6075) A) 8 STEEL FRAMES
- (ITEM 6005) B) 8 YARD SIGNS 24" x 18"
- Riders size 24" x 6"
- (ITEM 6085) C) 8 NAME RIDERS
- (ITEM 6090) D) 4 "NEW PRICE"
- (ITEM 6090) E) 4 "OPEN SUNDAY 2-4"
- (ITEM 6090) F) 4 "SOLD"

YARD SIGN PRINTING SPECIFICATIONS:

Company Name: **SUTTON**

- A) DBA _____
- B) Website: _____
- B) Office Phone Number: _____
- C) Agent Name: _____
- D) Title: _____
- E) Agent Phone Number: _____



ITEM S7080

Steel Frame Item
See page 27

Please Photocopy
AND ATTACH TO ORDER FORM

Commercial Signs

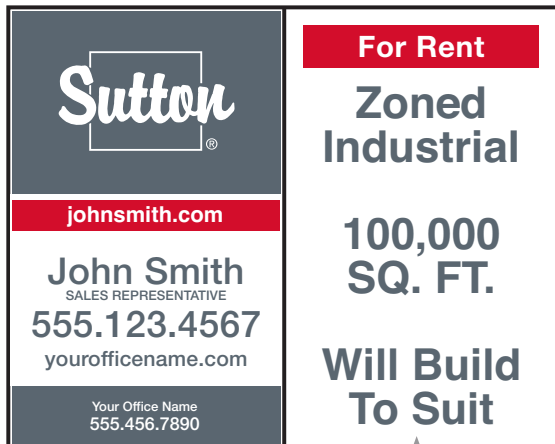
ITEM S6070

Model A



Sample Message

Model B



Sample Message

60" x 48" Extra Large Yard Sign

LARGE, PRINTED ONE SIDED COROPLAST SIGN IDEAL FOR INDUSTRIAL, COMMERCIAL BUILDINGS, OPEN LOTS AND ACREAGE.

Ready to install on buildings, etc. Coroplast signs are inexpensive to ship and easy to install.

Signs should be supported with wooden frame (1" x 3" furring).

DESCRIPTION:

- Printed 1 side only
- 6 mm coroplast office identification sign.
- Imprinted with DBA, website and phone number

Model A **Model B**

- 1 = \$ 181.75 each
- 3 = \$ 167.90 each
- 6 = \$ 160.20 each

YARD SIGN PRINTING SPECIFICATIONS:

Company Name: **SUTTON**

A) DBA _____

B) Website: _____

C) Office Phone Number: _____

D) Agent name: _____

E) Title: _____

F) Agent Phone Number: _____

G) Agent Website or Email: _____

H) Message: _____

**Please Photocopy
AND ATTACH TO ORDER FORM**

60" Sign post system

ITEM S6050

Model



24" x 30" Sterling Series Sign

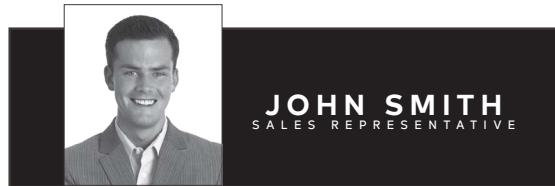
DESCRIPTION:

- Printed 2 sides
- 4 mm coroplast office identification sign.
- Imprinted with DBA, Website and phone number
- 4 grommets (2 on top and 2 on left side of sign)

- 3 = \$ 38.30 each 4 grommets
- 6 = \$ 36.20 each No grommets
- 12 = \$ 33.45 each

Riders 24" x 8 - Die-Cut

- 3 = \$ 23.10 each



Company Name: **SUTTON**

- A) DBA _____
- B) Agent name: _____
- C) Title: _____
- D) Office Phone Number: _____
- E) Agent Phone Number: _____
- F) Agent Website or Email: _____

* Note: For quality purpose, agent photos should be taken at the highest possible resolution, but no less than 5.5" x 5.5" at 300 dpi (dots per inch). Color photos can be used.

Forward photo in 300 DPI by e-mail to:
hcssigns@sympatico.ca

Please Photocopy
AND ATTACH TO ORDER FORM

60" Sign post system

ITEM S6055

SPECIAL

COMPLETE STERLING SERIES SIGN POST KIT

DESCRIPTION:

- A) 3 IMAGE MAKER 60" BLACK SIGN POSTS complete with ground stakes & 3 extra pegs
- B) 3 Yard signs (24" x 30")
- C) 3 Personalized riders with photo

Photo on file Sending photo by email

Logos:

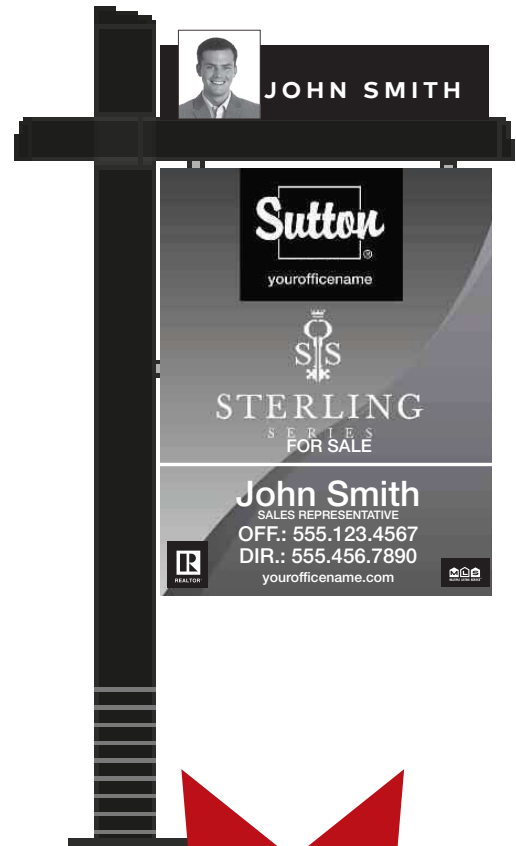


Company Name: **SUTTON**

- A) DBA _____
- B) Agent name: _____
- C) Title: _____
- D) Office Phone Number: _____
- E) Agent Phone Number: _____
- F) Agent Website or Email: _____

* Note: For quality purpose, agent photos should be taken at the highest possible resolution, but no less than 5.5" x 5.5" at 300 dpi (dots per inch). Color photos can be used.

Forward photo in 300 DPI by e-mail to:
hcssigns@sympatico.ca



**Please Photocopy
AND ATTACH TO ORDER FORM**

60" Sign post system

ITEM S9000

SPECIAL

COMPLETE SIGN POST KIT

Model B

DESCRIPTION:

- A) 6 IMAGE MAKER 60" BLACK SIGN POSTS
complete with ground stakes & pegs
- B) 6 Yard signs (24" x 30") with associated identifier
- C) 12 Message riders (24" x 6")
 - 3 "NEW PRICE"
 - 3 "OPEN SUNDAY 2 - 4"
 - 3 "JUST LISTED"
 - 3 "SOLD"

- Photo on file*
- Sending photo by email*

Logos:



Company Name: **SUTTON**

- A) DBA _____
- B) Agent name: _____
- C) Title: _____
- D) Agent Phone Number: _____
- E) Agent Email: _____
- F) Agent Website: _____

*Note: For quality purpose, agent photos should be taken at the highest possible resolution, but no less than 5.5" x 5.5" at 300 dpi (dots per inch). Color photos can be used.

Please E-mail photo to: hcssigns@sympatico.ca

A value of \$ 784.40
for only **\$736.50**

Please Photocopy
AND ATTACH TO ORDER FORM

60" Sign post system

SPECIAL

COMPLETE SIGN POST KIT WITH PICTURE

ITEM S9000

Model A

DESCRIPTION:

- A) 6 IMAGE MAKER 60" SIGN POSTS
complete with ground stakes & pegs
- B) 6 Yard signs (24" x 26") with associated identifier
- C) 12 Message riders (24" x 6")
 - 3 "NEW PRICE"
 - 3 "OPEN SUNDAY 2 - 4"
 - 3 "JUST LISTED"
 - 3 "SOLD"

Photo on file* Sending photo by email*

Logos:

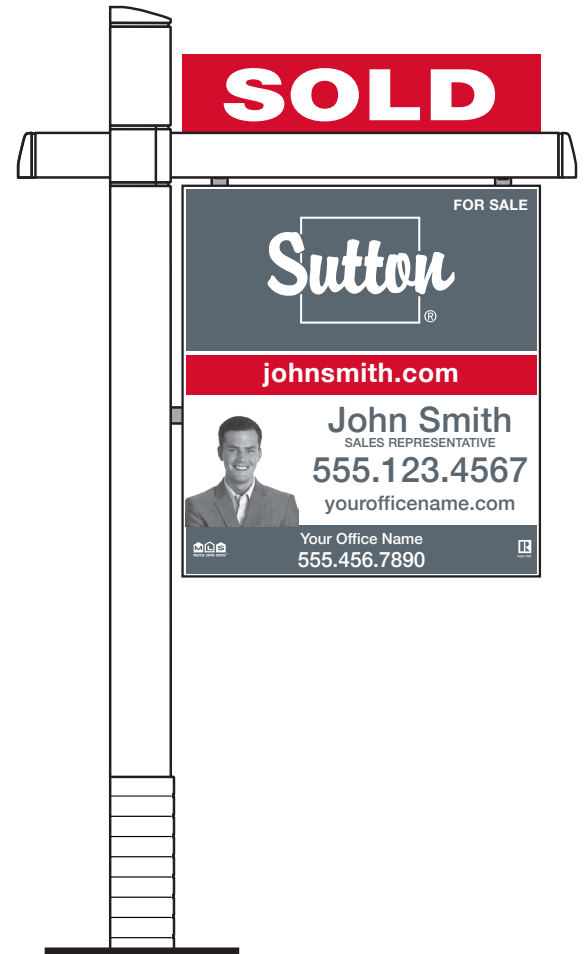


Company Name: **SUTTON**

- A) DBA: _____
- B) Website: _____
- C) Office Phone Number: _____
- D) Agent name: _____
- E) Title: _____
- F) Agent Phone Number: _____
- G) Agent Website or Email: _____

*Note: For quality purpose, agent photos should be taken at the highest possible resolution, but no less than 5.5" x 5.5" at 300 dpi (dots per inch). Color photos can be used.

Please E-mail photo to: hcssigns@sympatico.ca



A value of \$ 764.90
for only **\$714.50**

**Please Photocopy
AND ATTACH TO ORDER FORM**

ITEM S6090

24" x 6"

- 12 = \$7.30 each
- 25 = \$6.60 each
- 50 = \$5.55 each
- 100 = \$4.85 each

36" x 8"

- 12 = \$8.70 each
- 25 = \$7.40 each
- 50 = \$6.80 each
- 100 = \$6.20 each

SPECIAL FEATURES AND ACTIVITIES

DESCRIPTION:

- Printed 2 sides
- 4 mm coroplast sign riders
- White coroplast can be translucent in very bright areas

NOTE: Minimum of 12 signs, **no mixing.**

SPECIFICATIONS:

Sign no. _____ Quantity _____

Description _____

Sign size: 24" x 6" 36" x 8"

2 grommets:

- Top
- Bottom
- Center print for steel frames

7 0 0	Commercial	7 1 2	Open →	7 2 3	Open House	7 3 8	Open Sunday 2-4	7 5 1	Must See Inside!
7 0 1	Office	7 1 3	Auction	7 2 4	For Lease	7 4 0	Model Open →	7 5 2	New Price!
7 0 2	3 Bedroom	7 1 4	→	7 2 7	Lot	7 4 1	Farm	7 5 3	Open Sunday 1-3
7 0 5	Lakefront	7 1 5	Open Sunday 1-4	7 2 8	Sale Pending	7 4 2	Open Saturday	7 5 4	Open Sat. ___ to ___
7 0 6	Swimming Pool	7 1 6	For Sale	7 2 9	Rentals	7 4 3	Open Sunday	7 5 6	Lake Rights
7 0 7	By Appt. Only	7 1 7	Owner Finance	7 3 0	Waterfront	7 4 4	Sold <small>But, we Have Others</small>	7 5 7	Lot #
7 0 8	Sold	7 1 8	Exclusive	7 3 1	Income Property	7 4 5	Acreage	7 5 8	Just Listed
7 0 9	2 Family	7 1 9	Lots	7 3 2	Open House →	7 4 8	Duplex	7 5 9	In Contract
7 1 0	4 Bedroom	7 2 0	Price Reduced	7 3 3	For Rent	7 4 9	Home For Sale →	7 6 0	Multi-Family
7 1 1	Acres	7 2 2	Available	7 3 5	Build To Suit	7 5 0	Home Warranty	7 6 1	Condo

ITEM S6095

CUSTOM VINYL GRAPHIC STICKERS

- Black sticker, white lettering Size of Sticker: _____
- White sticker, black lettering
- Transparent sticker, white or black lettering

Message print: _____

ITEM S7000

WHITE OR BLACK STICKERS WITH BLACK OR WHITE LETTERING

SIZE	QUANTITY			
	15	25	50	100
<input type="checkbox"/> 15" X 3"	\$4.85 each	\$3.65 each	\$3.25 each	\$2.20 each
<input type="checkbox"/> 21" X 3"	\$5.50 each	\$4.15 each	\$3.75 each	\$3.15 each

Message print: _____

ITEM S7005

TRANSPARENT STICKERS WITH WHITE OR BLACK LETTERING

SIZE	QUANTITY			
	15	25	50	100
<input type="checkbox"/> 15" X 4"	\$5.60 each	\$4.15 each	\$3.65 each	\$2.90 each

Message print: _____

ITEM S7010

EXTRA LARGE PERSONALIZED STICKERS

SIZE	QUANTITY	
	15	25
<input type="checkbox"/> 24" X 7.5"	\$8.50 each	\$10.70 each

Message print: _____

Please Photocopy
AND ATTACH TO ORDER FORM

FAX US YOUR PRINT AND SIZE FOR A PRICE QUOTE

ITEM S7015

Model A



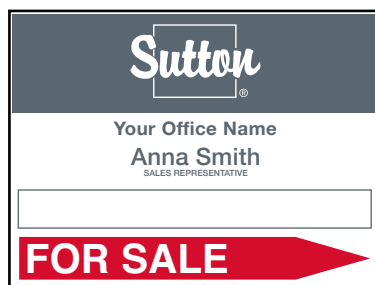
Model B



Model C



Model D



24" x 18" Open House or For Sale Signs

DESCRIPTION:

- Printed 1 side only
- 4 mm coroplast sign

White coroplast can be translucent in very bright areas

Minimum order = 12

SPECIFICATIONS:

MODEL A **MODEL B** **MODEL C** **MODEL D**

Writing in red arrow:

FOR SALE → QTY: _____ ← QTY: _____
 OPEN HOUSE → QTY: _____ ← QTY: _____

12 = \$ 15.35 each 50 = \$ 13.95 each
 24 = \$ 14.70 each

Yard Sign Printing Specifications:

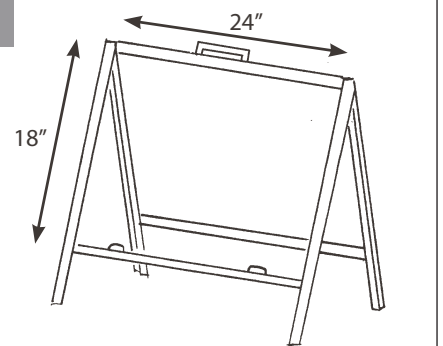
Company Name: **SUTTON**

- A) DBA: _____
 B) Agent name: _____
 C) Title: _____
 D) Agent Phone Number: _____
 E) Agent website or Email: _____

These signs work well with this A-Frame.

ITEM S7070

See page 29



and Stakes

ITEM S7025



24" x 12" Directional Sign With Step Stake

DESCRIPTION:

- 2 X 4 mm coroplast signs glued back to back
- Printed 1 side only
- Includes step stake, nuts and bolts
- Weight: 3.75 lbs each

SPECIFICATION:

- | | |
|--|--|
| <input type="checkbox"/> FOR SALE • QTY: _____ | <input type="checkbox"/> OPEN HOUSE • QTY: _____ |
| <input type="checkbox"/> 5 = \$ 32.70 each | <input type="checkbox"/> 15 = \$ 29.70 each |
| <input type="checkbox"/> 10 = \$ 30.80 each | <input type="checkbox"/> 25 = \$ 28.60 each |

Company Name: **SUTTON**

- A) DBA _____
- B) Agent name: _____
- C) Title: _____
- D) Agent Phone Number: _____

ITEM S7030



24" x 12" Directional Sign

DESCRIPTION:

- 4 mm coroplast signs glued back to back
- Printed 1 side only

SPECIFICATION: MINIMUM 10 EACH DIRECTION

- | | | |
|---|--|--------------|
| <input type="checkbox"/> FOR SALE | ➔ QTY: _____ | ➔ QTY: _____ |
| <input type="checkbox"/> OPEN HOUSE | ➔ QTY: _____ | ➔ QTY: _____ |
| <input type="checkbox"/> 20 = \$ 10.00 each | <input type="checkbox"/> 50 = \$ 8.80 each | |
| <input type="checkbox"/> 30 = \$ 9.35 each | | |

Company Name: **SUTTON**

- A) DBA _____
- B) Agent name: _____
- C) Title: _____
- D) Agent Phone Number: _____

Please Photocopy
AND ATTACH TO ORDER FORM

and Stakes

ITEM S7051



18" X 18" Little House die-cut sign Directional sign with step stake

DESCRIPTION:

- 2 X 4 mm coroplast signs glued back to back
- Printed 1 side only
- Includes step stake, nuts and bolts
- Weight: 4.75 pounds each

SPECIFICATIONS:

- FOR SALE • QTY: _____ OPEN HOUSE • QTY: _____

QUANTITY AND PRICE:

NO MIXING

- 10 = \$ 38.50 each 25 = \$ 35.20 each
 15 = \$ 36.85 each

Company Name: **SUTTON**

- A) DBA _____
 B) Agent name: _____
 C) Title: _____
 D) Agent Phone Number: _____

ITEM S7052



Single sided Little House directional signs

DESCRIPTION:

- 4 mm coroplast sign
- Printed 1 side only

SPECIFICATIONS:

- FOR SALE → QTY: _____ ← QTY: _____
 OPEN HOUSE → QTY: _____ ← QTY: _____

QUANTITY AND PRICE:

NO MIXING

- 20 = \$ 12.90 each - Minimum order 10 per direction

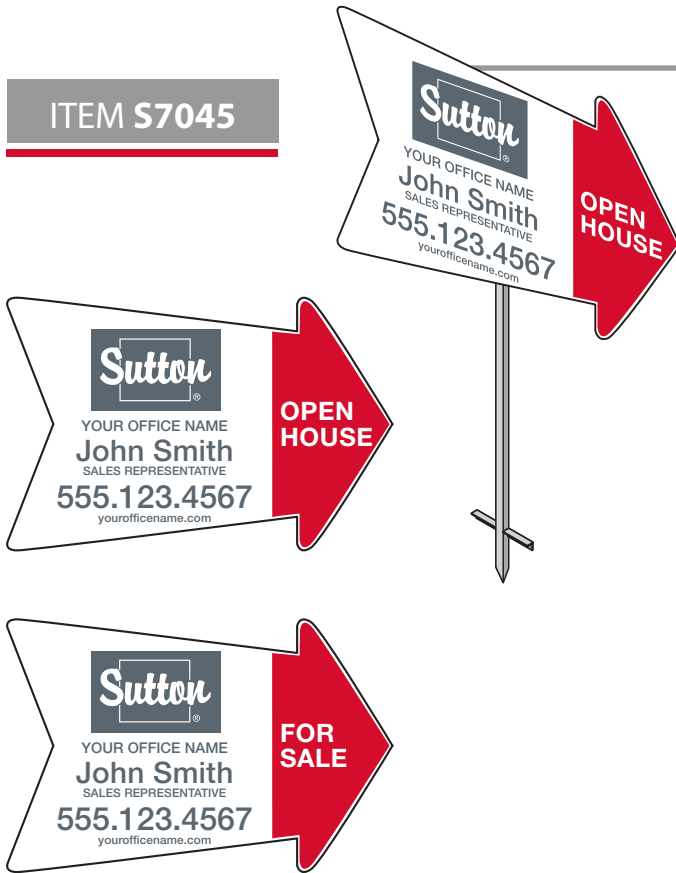
Company Name: **SUTTON**

- A) DBA _____
 B) Agent name: _____
 C) Title: _____
 D) Agent Phone Number: _____

Please Photocopy
AND ATTACH TO ORDER FORM

and Stakes

ITEM S7045



24" X 18" Arrow die-cut sign Directional sign with step stake

DESCRIPTION:

- 2 X 4 mm coroplast signs glued back to back
- Printed 1 side only
- Includes step stake, nuts and bolts
- Weight: 4.75 pounds each

SPECIFICATIONS:

FOR SALE • QTY: _____ OPEN HOUSE • QTY: _____

QUANTITY AND PRICE:

NO MIXING

10 = \$ 48.75 each 25 = \$ 45.65 each

Company Name: **SUTTON**

A) DBA _____

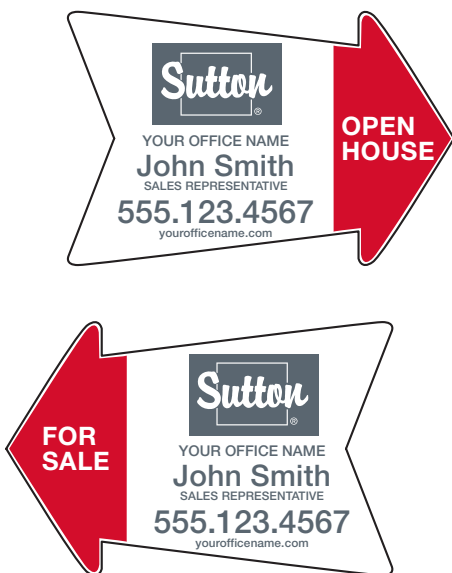
B) Agent name: _____

C) Title: _____

D) Agent Phone Number: _____

E) Website or Email: _____

ITEM S7050



Single sided Arrow directional signs

DESCRIPTION:

- 4 mm coroplast sign
- Printed 1 side only

SPECIFICATIONS:

FOR SALE → QTY: _____ ← QTY: _____
 OPEN HOUSE → QTY: _____ ← QTY: _____

QUANTITY AND PRICE:

NO MIXING - **Minimum order 10 per direction**

20 = \$ 15.25 each 50 = \$ 12.55 each

Company Name: **SUTTON**

A) DBA _____

B) Agent name: _____

C) Title: _____

D) Agent Phone Number: _____

Please Photocopy
AND ATTACH TO ORDER FORM

ITEM S7055



24" X 12" Directional sign with wire stakes

DESCRIPTION:

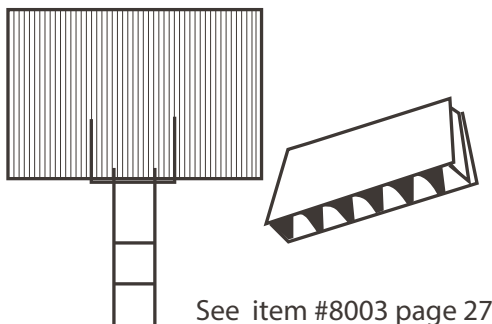
- Printed 2 sides
- With 30" galvanized wire stakes
- Use the lightweight, moisture proof, 4 mm corrugated plastic signs where cost is a factor. They will fit our H-Frame Wire Stake (sold separately). Signs are available with vertical flutes only and are printed on both sides. Personalized at no extra charge
- Weight: 4.75 pounds each

YARD SIGN PRINTING SPECIFICATIONS:

- A) Company Name: **SUTTON**
 B) DBA: _____
 C) Agent name: _____
 D) Title: _____
 E) Agent Phone Number: _____

Specify: **OPEN HOUSE** or **FOR SALE**

- 12 Directional signs & stakes = \$ 20.20 each
- 24 Directional signs & stakes = \$ 19.55 each
- 36 Directional signs & stakes = \$ 18.60 each

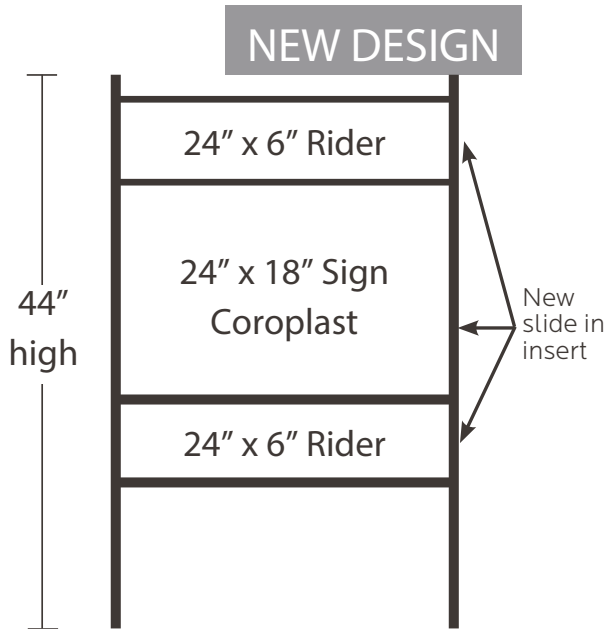


Galvanized Wire Stake

- 10" X 30" galvanized stake
- 1/8" Wire construction
- For use with 4mm Corrugated sign panels
- Affordable and easy to use

Please Photocopy
AND ATTACH TO ORDER FORM

ITEM S7080



Steel Frame

No installer necessary, quick and easy to install

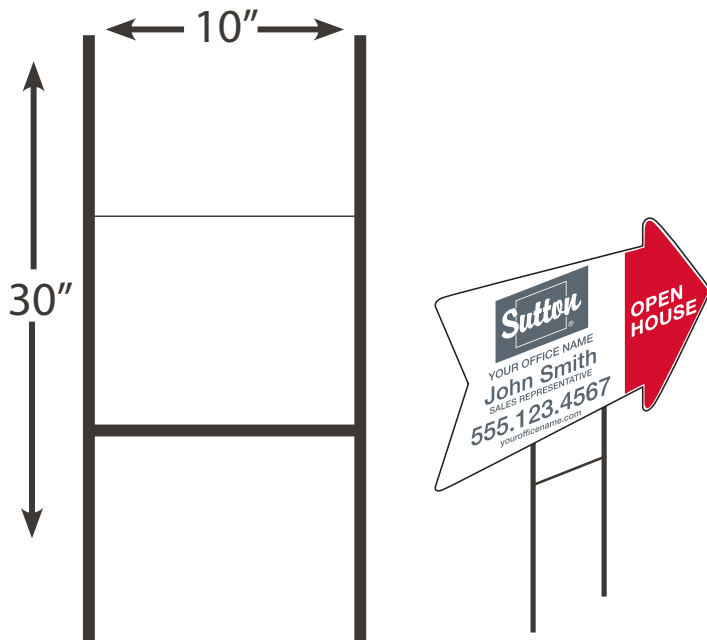
DESCRIPTION:

- Accommodates our 24" x 18" 4 mm Coroplast sign (Item #6005) and has special feature for holding sign riders 24" x 6"
- Black powder coat
- 3/4" Steel angle frame
- Package of 4 per box

QUANTITY AND PRICE:

- 4-20 = \$ 57.25 each frame
- 21-100 = \$ 53.90 each frame

ITEM S8003



Quick-Up Coro Stakes

DESCRIPTION:

- 1/8" Galvanized Wire Stakes
- Maximum signs size: 24" X 18"
- Does not include sign panels
- 12 wire stakes per box

PRICE:
\$ 40.75 per box



**Please Photocopy
AND ATTACH TO ORDER FORM**

ITEM S7085

Extra Yard Sign Ground Stakes

DESCRIPTION:

- Powder coated
- Available only in a packages of 3 ground stakes

PRICE: \$42.00 per package



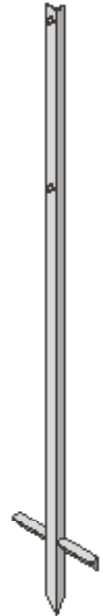
ITEM S7090

Step Stake

DESCRIPTION:

- Step Stake 48"
- Weight: 2.75 lbs each
- 5 per box (minimum order of 5)
- Includes nylon nuts, bolts and washers
- Powder coated

PRICE: \$74.25 per box



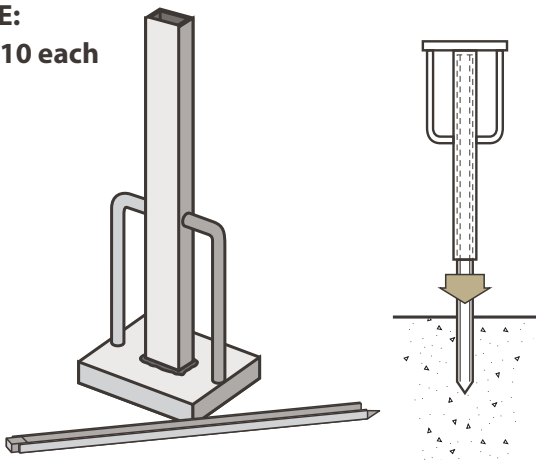
ITEM S7095

Stake Hammer

DESCRIPTION:

- For installing sign stakes
- Avoid flaring top of steel stakes
- Weight: 15 lbs.
- Powder coated

PRICE: \$ 67.10 each



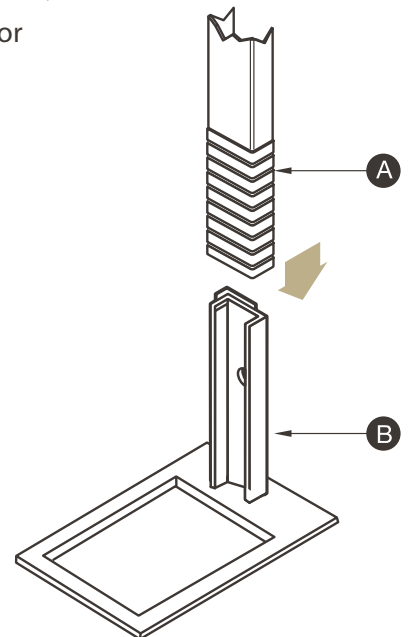
ITEM S8000

Portable Display Base

DESCRIPTION:

- Office sign and post display
- To be used for display or office special events.
- Powder coated

PRICE: \$51.15 each



ITEM S7060

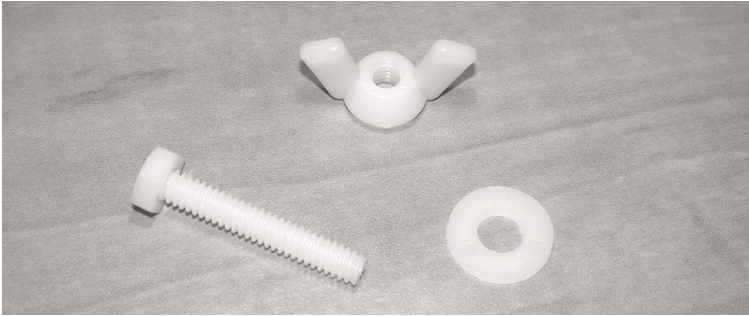
Step Stake Nuts And Bolts

DESCRIPTION:

- 1 Bag =** 10 bolts
10 wing nuts
20 washers

PRICE:

\$4.70 each bag



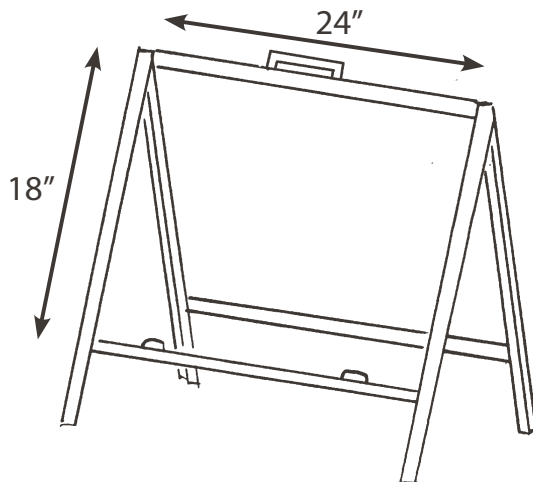
ITEM S7070

A-Frame or Tent Frame

DESCRIPTION:

- Powder coated For OPEN HOUSE, FOR SALE and DIRECTIONAL
- Available only in boxes of 4

PRICE: \$ 42.90each frame



Please Photocopy
AND ATTACH TO ORDER FORM

ITEM S7065

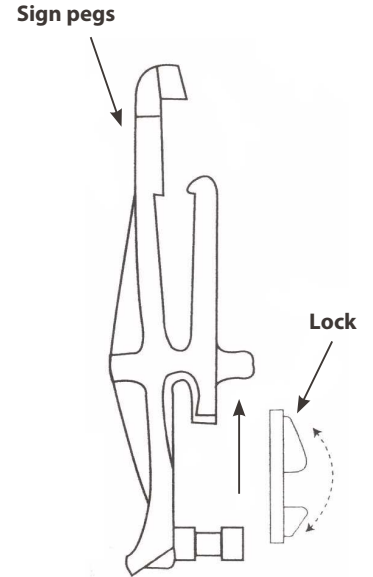
Sign Pegs

DESCRIPTION:

- Plastic Sign Holder Pegs
- Packages of 9

PRICE:

\$19.95 per bag



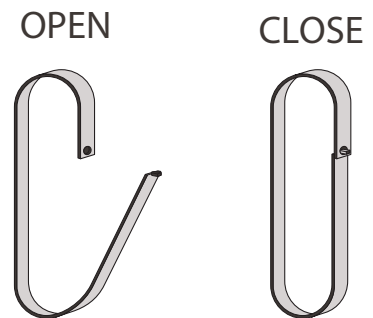
ITEM S7075

Rider Sign Hanger Clips

DESCRIPTION:

- 100% Stainless Steel Clips, For Hanging Name Rider Signs
- 36 clips per bag

PRICE: \$29.30 per bag



1699 Station Road, Mascouche, QC J7L 2J6
T. 450 477-2828 | F. 450 477-6819 | hcssigns@sympatico.ca

HOW TO ORDER:

1. Photocopy catalogue page
2. Complete order form
3. Order directly by sending the order form via mail, fax or Email.
4. Orders must be accompanied by payment to begin processing.

Terms:

You may pay for your merchandise by Visa, MasterCard or American Express. Check or money order in full (including shipping and applicable sales/tax). Shipping charges will automatically be added on charge card orders. When ordering by check or money order, and you would like to prepay shipping charges, you may call for exact freight charges. No C.O.D.'s accepted. Our minimum order is \$40.00. Prices subject to change without notice. Home Colonial Signs Post is not responsible for following individual local or municipal sign restrictions and specifications. If your area has specific sign codes or restrictions you must inform us in writing at the time you place your order.

Sales/Tax:

The appropriate tax will be added to all orders shipped.

Returns:

Merchandise can not be returned without written permission. No refunds can be given on personalized merchandise. All returned merchandise must be shipped freight prepaid.

ORDER FORM:

Company name: **SUTTON** _____

Address: _____

City: _____ Province: _____

Postal code: _____

Telephone: (____) _____ Fax: (____) _____

Card holder name: _____

Credit card number: _____ Expiry date: M / Y _____ **3 DIGIT CODE =** _____

Visa Mastercard American Express Check

Card holder signature: _____

FOR EXACT PRINTING DETAILS, SEE MODELS ON APPROPRIATE PAGES AND PHOTOCOPY

QTY	ITEM NO	SIZE	DESCRIPTION	EACH	TOTAL

SHIPPING AND BILLING CHARGES:

Shipping charges will automatically be included on charge card orders. When ordering by check or money order, and would like to prepay shipping charges, you may call for exact freight charges.

Total Price of items	_____
(see shipping charge information) Shipping Charges	_____
Total amount of Order	_____
H.S.T. or G.S.T. (Canadian Customers Only)	_____
TOTAL	_____
Québec clients, add Q.S.T.	_____
GRAND TOTAL	_____

NEED A CATALOGUE?
Download it from our website homecolonialsignpost.com



HOME COLONIAL SIGNPOST

DIVISION OF ROBWOOD INC

1699 Station Road, Mascouche, QC J7L 2J6

E-mail: hcssigns@sympatico.ca

Tel.: 450.477.2828

Fax: 450.477.6819



IMAGEMAKER[®]
[The]

