

# HOME COLONIAL SIGNPOST

DIVISION OF ROBWOOD INC



## WE SHIP ACROSS CANADA



# RE/MAX®

FOR CATALOGUE UPDATES AND SALE'S PROMOTIONS, PLEASE REFER TO  
[homecolonialsignpost.com](http://homecolonialsignpost.com)

REAL ESTATE YARD SIGN CATALOGUE

TEL.: 450-477-2828 • FAX: 450-477-6819 • E-mail: [hcssigns@sympatico.ca](mailto:hcssigns@sympatico.ca)



Applicable to all of Canada except Ontario  
Each RE/MAX Office is Independently Owned and Operated. ® Registered trademark of RE/MAX Real Estate LLC,  
used under license. TM Trademark of RE/MAX Real Estate LLC, used under license.

Applicable to Ontario only  
Independently Owned and Operated. ® Registered trademark of RE/MAX Real Estate LLC,  
used under license. TM Trademark of RE/MAX Real Estate LLC, used under license.



How assemble and to Install .....4

Imagemaker Sign post System .....5

Residential Yard Sign 24" X 18" ..... 6

Residential Yard Sign 24" X 30" .....7

Residential Yard Sign 36" X 24" .....8

Re/max Collection 24" X 30" .....9

Sign Riders 30" X 6" ..... 10

Sign Riders 24" X 6" ..... 11

Complete Steel Frame Kit..... 12

Special Complete Sign post Kit ..... 13

Extra Large Commercial Signs 48" X 48" ..... 14

Extra Large Commercial Signs 60" X 48" ..... 15

Sign Riders ..... 16

Sign Stickers ..... 17

Open House Signs..... 18-19

Directional Signs.....20-21

Sign Accessories ..... 22-23

Steel Yard Frames..... 24

Personal Promotional Products .....25-26

Order Form ..... 27

\* WHITE COROPLAST CAN BE TRANSLUCENT IN VERY BRIGHT AREAS.

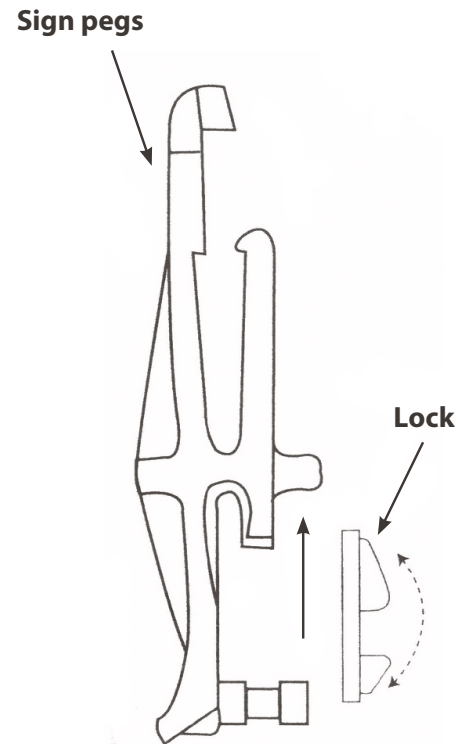
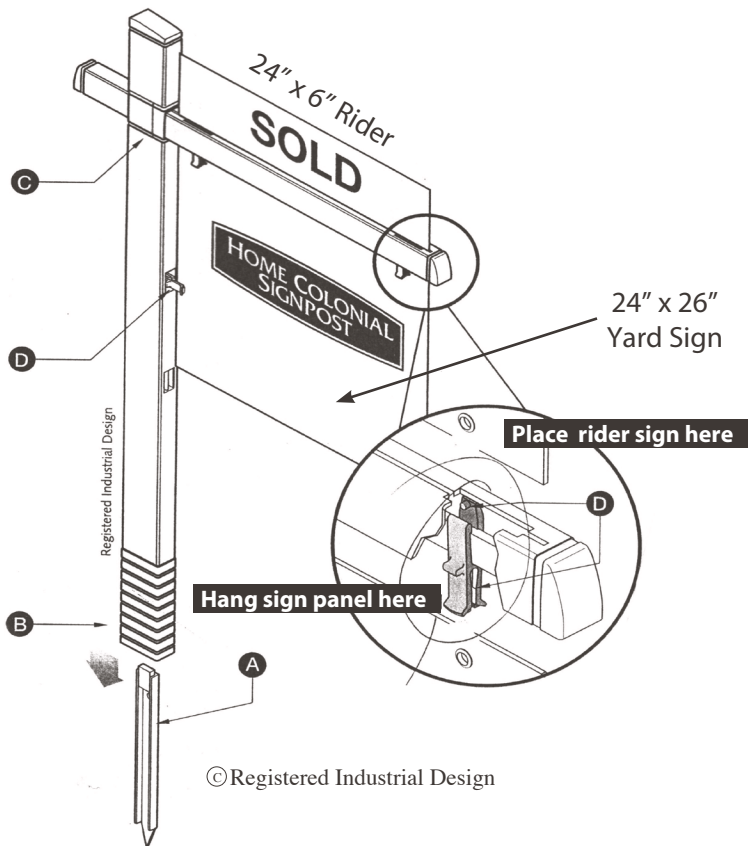
**Need a catalogue?**

Download it from our website [homecolonialsignpost.com](http://homecolonialsignpost.com)

Applicable to all of Canada except Ontario Each Remax Office is Independently Owned and Operated.

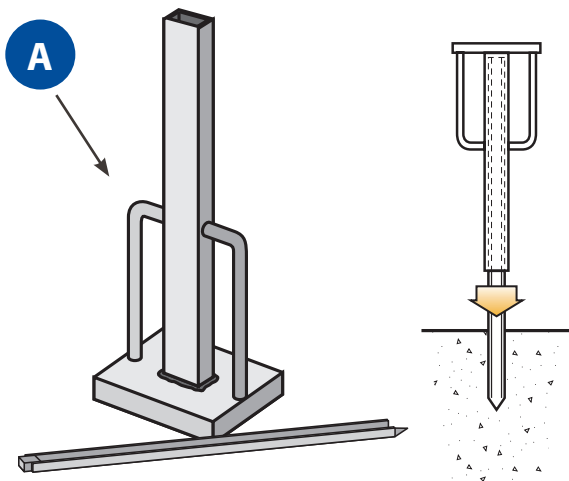
Applicable to Ontario only Independently Owned and Operated.

## The Imagemaker Sign Post



(For hanging main sign panel beneath cross-arm, and, for attaching side of main sign panel to upright post to prevent swinging)

### QUICK'N EASY



- A** Pound stake into soil using a stake hammer (stop at the yellow line):
- B** Slide upright portion of post onto top of stake;
- C** Slide cross arm portion into upright until snap;
- D** Insert sign pegs in post and hang sign panel;
- E** Slide message rider sign into slot of cross arm;

ITEM X2005P



**White Post**

Includes sign post assembly & ground stake.

**QTY: 3 Per Box**

**White Post 60"** = \$ 82.30 each post

**Available in boxes of 3 only**

### **Quick'n easy to install:**

- A) Pound stake into ground with stake hammer  
**Item #7095, page 23**
- B) Slide upright portion of post onto top of stake;
- C) Slide cross arm portion into upright until it snaps;
- D) Insert sign pegs in post until they clip, hang sign panel and then slide rider sign into slot of cross arm.



## **PRODUCT WARRANTY YEARS!\***

\*Your Imagemaker Signpost warranty covers all defects in materials and workmanship.

The following are not covered by the warranty:

- 1- **Units on which the manufacture date has been defaced, modified or removed.**
- 2- **Damage or deterioration resulting from:**
  - A- Installation or removal of the signpost.
  - B- Accident, misuse, abuse, neglect, unauthorized product modification.
  - C- Installation of parts or accesories that do not conform to the quality or specification of the original sign post or accessories.

Please Photocopy  
AND ATTACH TO ORDER FORM

## Yard Signs 60'' Sign Post System

ITEM X6005

### Model 24'' x 18''



## 24'' x 18'' YARD SIGN WITH ASSOCIATE IDENTIFIER

### DESCRIPTION:

- 4 mm coroplast sign panel
- Imprinted with DBA, phone number and website
- Standard 5 grommet hole pattern

### SPECIFICATIONS:

- 5 grommets     no grommets
- to fit steel frames

### QUANTITY AND PRICE: PRINTED 2 SIDES

- 6 = \$25.00/ea.     12 = \$18.70/ea.     25 = \$18.20/ea.

### PRINTED 1 SIDE ONLY

- 6 = \$21.60/ea.     12 = \$15.35/ea.     25 = \$14.70/ea.

### LOGOS:



Company Name: **RE/MAX**

DBA \_\_\_\_\_

A) Agent Name: \_\_\_\_\_

B) Agent Phone Number : \_\_\_\_\_

C) Agent Website or Email: \_\_\_\_\_

D) Office Phone Number: \_\_\_\_\_

Please Photocopy  
AND ATTACH TO ORDER FORM

**Yard Signs 60" Sign Post System**

ITEM X6021

**24" x 30"**  
**YARD SIGN WITH ASSOCIATE IDENTIFIER**

**DESCRIPTION:**

- 4 mm coroplast sign panel
- Imprinted with DBA, website and phone number

**SPECIFICATIONS:**

- 4 grommets       no grommets

**QUANTITY AND PRICE: PRINTED 2 SIDES**

- 6 = \$33.50/ea.     12 = \$27.95/ea.     25 = \$27.70/ea.

**PRINTED 1 SIDE ONLY**

- 6 = \$25.65/ea.     12 = \$21.60/ea.     25 = \$20.95/ea.

Company Name: **RE/MAX**

DBA \_\_\_\_\_

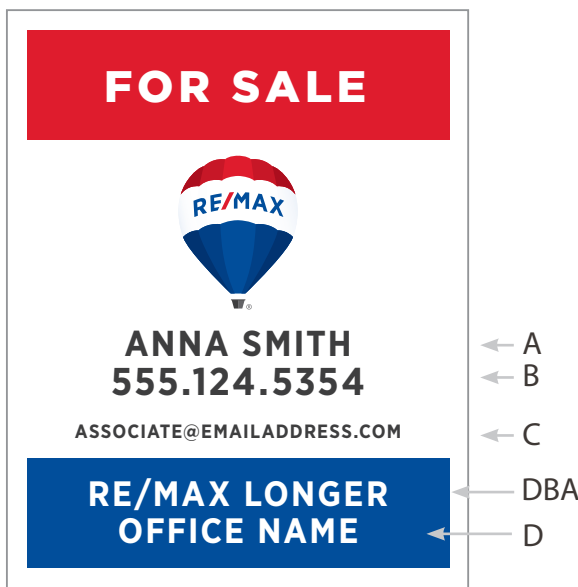
A) Agent Name: \_\_\_\_\_

B) Agent Phone Number : \_\_\_\_\_

C) Agent Website or Email: \_\_\_\_\_

D) Office Phone Number: \_\_\_\_\_

**Model 24" x 30"**



**LOGOS:**



\* Note: For quality purpose, agent photos should be taken at the highest possible resolution, but no less than 6" x 6" at 300 dpi (dots per inch). Shoot photos in color.

Please Photocopy  
AND ATTACH TO ORDER FORM

**Yard Signs**

**ITEM X6040**

**Model 36" x 24"**



**36" x 24" CORRUGATED PLASTIC SIGN PANEL**

**DESCRIPTION:**

- 4 mm coroplast sign panel
- Imprinted with DBA, website and phone number
- Standard 5 grommets hole pattern

**SPECIFICATIONS:**

- 5 grommets       No grommets

**QUANTITY AND PRICE: PRINTED 2 SIDES**

- 6 = \$37.60/ ea.       12 = \$34.65/ ea.  
 25 = \$32.95/ ea.       50 = \$32.15/ ea.

**LOGOS:**



Company Name: **RE/MAX**

DBA \_\_\_\_\_

A) Agent Name: \_\_\_\_\_

B) Title: \_\_\_\_\_

C) Agent Phone Number: \_\_\_\_\_

D) Agent Email: \_\_\_\_\_

E) Agent Website: \_\_\_\_\_

F) Office Phone Number: \_\_\_\_\_

Please Photocopy  
AND ATTACH TO ORDER FORM



ITEM X6060

**Model 24" x 30"**



**24" x 30"**

**RE/MAX COLLECTION**

**FINE HOMES & LUXURY PROPERTIES**

**DESCRIPTION:**

- 4 mm coroplast office identification sign
- Imprinted with DBA, website, phone number

**SPECIFICATIONS:**

- 4 grommets     no grommets

**QUANTITY AND PRICE: PRINTED 2 SIDES**

- 6 = \$33.50/ea.     12 = \$29.10/ea.     15 = \$27.70/ea.

Company Name: **RE/MAX**

DBA \_\_\_\_\_

A) Agent Name: \_\_\_\_\_

B) Agent Phone Number: \_\_\_\_\_

C) Office Phone Number: \_\_\_\_\_

**LOGOS:**



Your Sign Message: \_\_\_\_\_

\_\_\_\_\_

\_\_\_\_\_

\_\_\_\_\_

Please Photocopy  
AND ATTACH TO ORDER FORM

**ITEM X6045**

**Model 30" x 6"**

**PROPERTY INFORMATION**

**ASSOCIATE NAME (OPTIONAL) OR  
PROPERTY INFORMATION**

**TEAM NAME (OPTIONAL) OR  
PROPERTY INFORMATION**

**CONTACT INFORMATION**

**ANNIE SMITH 555.124.5354**

**30" x 6"  
AGENT NAME RIDERS**

**DESCRIPTION:**

- 4 mm coroplast agent identification sign
- Available in blue or red print

**SPECIFICATIONS:**

2 grommets:  Top  Bottom

**QUANTITY AND PRICE: PRINTED 2 SIDES**

- 1 = \$18.50/ea.  12 = \$13.00/ea.
- 6 = \$16.20/ea.  25 = \$11.15/ea.

- A) Agent Name: \_\_\_\_\_
- B) Title: \_\_\_\_\_
- C) Agent Phone Number: \_\_\_\_\_
- D) Agent Website or Email: \_\_\_\_\_

**ITEM X6085**

**Model 24" x 6"**

**PROPERTY INFORMATION**

**ASSOCIATE NAME (OPTIONAL) OR  
PROPERTY INFORMATION**

**TEAM NAME (OPTIONAL) OR  
PROPERTY INFORMATION**

**CONTACT INFORMATION**

**ANNIE SMITH  
555.124.5354**



**ANNIE SMITH  
555.124.5354**



**MIRACLE  
HOME**

**24" x 6"  
AGENT NAME RIDERS**

**DESCRIPTION:**

- 4 mm coroplast agent identification sign
- Available in blue or red print

**SPECIFICATIONS:**

- 2 grommets:  Top  Bottom  
 Center print for steel frame

**24" X 6"**

**QUANTITY AND PRICE: PRINTED 2 SIDES**

- 6 = \$12.00/ea.  12 = \$10.40/ea.  
 25 = \$8.80/ea.

- A) Agent Name: \_\_\_\_\_  
B) Title: \_\_\_\_\_  
C) Agent Phone Number: \_\_\_\_\_  
D) Agent Website or Email: \_\_\_\_\_

\* Note: For quality purpose, agent photos should be taken at the highest possible resolution, but no less than 6" x 6" at 300 dpi (dots per inch). Shoot photos in color.

Please Photocopy  
AND ATTACH TO ORDER FORM

**Complete Steel Frame Kit**

**ITEM X6075**

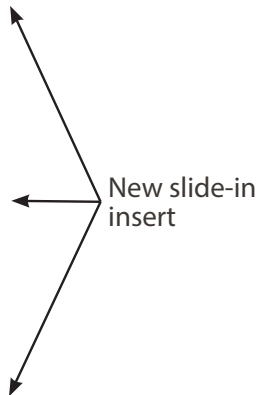
**Model 24" x 18"**



**LOGOS:**



A value of \$820.25  
for only **\$781.00**



- ITEM X7080** A) 8 Steel frames
- ITEM X6005** B) 8 Yard Signs 24" X 18"
- ITEM X6085** C) 8 Name Riders 24" X 6"
- ITEM X6090** D) 4 "Just Listed" 24" X 6"
- ITEM X6090** E) 4 "Open Sunday 2 to 4 p.m." 24" X 6"
- ITEM X6090** F) 4 "Sold" 24" X 6"

Company Name: **RE/MAX**

DBA \_\_\_\_\_

A) Agent Name: \_\_\_\_\_

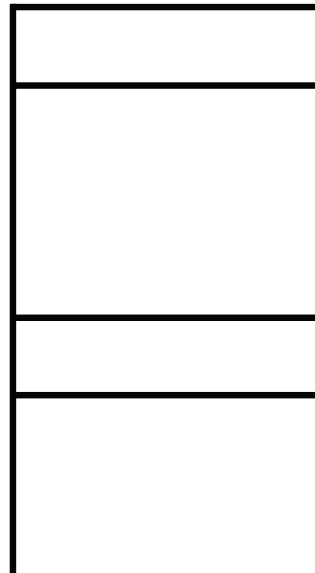
B) Agent Phone Number: \_\_\_\_\_

C) Agent Website or Email: \_\_\_\_\_

D) Office Phone Number: \_\_\_\_\_

**ITEM X7080**

See page 24



Please Photocopy  
AND ATTACH TO ORDER FORM

**60" Sign post system**

ITEM X9000



**SPECIAL**  
**COMPLETE SIGN POST KIT**

**DESCRIPTION:**

- A) 6 IMAGE MAKER 60" SIGN POSTS complete with ground stakes & pegs
- B) 6 YARD SIGNS (24" X 30") with associated identifier
- C) 12 MESSAGE RIDERS (24" X 6")
  - 3 "NEW PRICE"
  - 3 "OPEN SUNDAY 2 TO 4 P.M."
  - 3 "JUST LISTED"
  - 3 "SOLD"

**LOGOS:**



Company Name: **RE/MAX**  
 DBA \_\_\_\_\_  
 A) Agent Name: \_\_\_\_\_  
 B) Title: \_\_\_\_\_  
 C) Agent Phone Number: \_\_\_\_\_  
 D) Agent Website or Email: \_\_\_\_\_  
 E) Office Phone Number: \_\_\_\_\_

\* Note: For quality purpose, agent photos should be taken at the highest possible resolution, but no less than 6" x 6" at 300 dpi (dots per inch). Shoot photos in color.

A value of \$781.40  
for only **\$731.00**

\* RE/MAX Policy and Procedures Manual requires that brokers use the RE/MAX Colonial Post Sign made to Franchise Identification System Specifications unless prohibited from doing so by the client or by law or local ordinance. Yard signs depicted in other formats are offered for your convenience and should only be used when it is not possible to use the Colonial Post Yard Sign.

Please Photocopy  
AND ATTACH TO ORDER FORM

## Commercial Signs

ITEM X6065

### Model 48" x 48"



### 48" x 48" EXTRA LARGE YARD SIGNS

LARGE, PRINTED ON ONE SIDE COROPLAST SIGN IDEAL FOR INDUSTRIAL, COMMERCIAL BUILDINGS, OPEN LOTS AND ACREAGE.

Ready to install on buildings, etc. Coroplast signs are inexpensive to ship and easy to install. Signs should be supported with wooden frame (1" x 3" furring).

#### DESCRIPTION:

- 6 mm coroplast office identification sign
- White coroplast can be translucent in very bright areas

#### QUANTITY AND PRICE: **PRINTED 1 SIDE ONLY**

1 = \$161.75/ea.  3 = \$146.30/ea.  5 = \$126.30/ea.

Company Name: **RE/MAX**

DBA \_\_\_\_\_

A) Message: \_\_\_\_\_

\_\_\_\_\_

\_\_\_\_\_

B) Agent Name: \_\_\_\_\_

C) Agent Phone Number: \_\_\_\_\_

Please Photocopy  
AND ATTACH TO ORDER FORM

**Commercial Signs**

**ITEM X6070**

**Model 60" x 48"**



**60" x 48" EXTRA LARGE YARD SIGNS**

LARGE, PRINTED ON ONE SIDE COROPLAST SIGN IDEAL FOR INDUSTRIAL, COMMERCIAL BUILDINGS, OPEN LOTS AND ACREAGE.

Ready to install on buildings, etc. Coroplast signs are inexpensive to ship and easy to install. Signs should be supported with wooden frame (1" x 3" furring).

**DESCRIPTION:**

- 6 mm coroplast office identification sign

**QUANTITY AND PRICE:**

PRINTED 1 SIDE ONLY

- 1 = \$187.00/ea.
- 2 = \$181.50/ea.
- 3 = \$168.00/ea.
- 6 = \$160.15/ea.

Company Name: **RE/MAX**

DBA \_\_\_\_\_

A) Message: \_\_\_\_\_

\_\_\_\_\_

\_\_\_\_\_

B) Agent Name: \_\_\_\_\_

C) Agent Phone Number: \_\_\_\_\_

Please Photocopy  
AND ATTACH TO ORDER FORM

## ITEM X6090

### 24" x 6"

- 12 = \$7.30 each
- 25 = \$6.60 each
- 50 = \$5.55 each
- 100 = \$4.85 each

### 30" x 6"

- 12 = \$8.20 each
- 25 = \$7.00 each
- 50 = \$6.55 each
- 100 = \$6.30 each

## SPECIAL FEATURES AND ACTIVITIES

### DESCRIPTION:

- Printed 2 sides
- 4 mm coroplast sign riders
- White coroplast can be translucent in very bright areas

**NOTE:** Minimum of 12 signs, **no mixing.**

### SPECIFICATIONS:

Sign no. \_\_\_\_\_ Quantity \_\_\_\_\_

Description \_\_\_\_\_

Sign size: 24" x 6"  30" x 6"

### • 2 grommets:

- Top
- Bottom
- Center print for steel frames

**Sold**

**Sold**

7 0 0	<b>Commercial</b>	7 1 2	<b>Open</b> →	7 2 3	<b>Open House</b>	7 3 8	<b>Open Sunday 2-4</b>	7 5 1	<b>Must See Inside!</b>
7 0 1	<b>Office</b>	7 1 3	<b>Auction</b>	7 2 4	<b>For Lease</b>	7 4 0	<b>Model Open</b> →	7 5 2	<b>New Price!</b>
7 0 2	<b>3 Bedroom</b>	7 1 4	→	7 2 7	<b>Lot</b>	7 4 1	<b>Farm</b>	7 5 3	<b>Open Sunday 1-3</b>
7 0 5	<b>Lakefront</b>	7 1 5	<b>Open Sunday 1-4</b>	7 2 8	<b>Sale Pending</b>	7 4 2	<b>Open Saturday</b>	7 5 4	<b>Open Sat. ___ to ___</b>
7 0 6	<b>Swimming Pool</b>	7 1 6	<b>For Sale</b>	7 2 9	<b>Rentals</b>	7 4 3	<b>Open Sunday</b>	7 5 6	<b>Lake Rights</b>
7 0 7	<b>By Appt. Only</b>	7 1 7	<b>Owner Finance</b>	7 3 0	<b>Waterfront</b>	7 4 4	<b>Sold</b> <small>But, we Have Others</small>	7 5 7	<b>Lot #</b>
7 0 8	<b>Sold</b>	7 1 8	<b>Exclusive</b>	7 3 1	<b>Income Property</b>	7 4 5	<b>Acreage</b>	7 5 8	<b>Just Listed</b>
7 0 9	<b>2 Family</b>	7 1 9	<b>Lots</b>	7 3 2	<b>Open House</b> →	7 4 8	<b>Duplex</b>	7 5 9	<b>In Contract</b>
7 1 0	<b>4 Bedroom</b>	7 2 0	<b>Price Reduced</b>	7 3 3	<b>For Rent</b>	7 4 9	<b>Home For Sale</b> →	7 6 0	<b>Multi-Family</b>
7 1 1	<b>Acres</b>	7 2 2	<b>Available</b>	7 3 5	<b>Build To Suit</b>	7 5 0	<b>Home Warranty</b>	7 6 1	<b>Condo</b>



**FAX US YOUR PRINT AND SIZE FOR A PRICE QUOTE**

**ITEM X6095**

**CUSTOM VINYL GRAPHIC STICKERS**

- Red sticker, white lettering      Size of Sticker: \_\_\_\_\_
- White sticker, red lettering
- Transparent sticker, white or red lettering

Message print: \_\_\_\_\_  
 \_\_\_\_\_  
 \_\_\_\_\_  
 \_\_\_\_\_

**ITEM X7000**

**WHITE STICKERS WITH RED OR BLUE LETTERING**

SIZE	QUANTITY			
	15	25	50	100
<input type="checkbox"/> 15" X 3"	\$4.85 each	\$3.05 each	\$2.75 each	\$1.90 each
<input type="checkbox"/> 21" X 3"	\$4.80 each	\$3.55 each	\$3.25 each	\$2.65 each

Message print: \_\_\_\_\_

**ITEM X7005**

**TRANSPARENT STICKERS WITH RED OR BLUE LETTERING**

SIZE	QUANTITY			
	15	25	50	100
<input type="checkbox"/> 15" X 4"	\$4.85 each	\$3.55 each	\$3.15 each	\$3.40 each

Message print: \_\_\_\_\_

**ITEM X7010**

**EXTRA LARGE PERSONALIZED STICKERS**

SIZE	QUANTITY	
	15	25
<input type="checkbox"/> 24" X 7.5"	\$7.65 each	\$7.15 each

Message print: \_\_\_\_\_

**ITEM X7015**

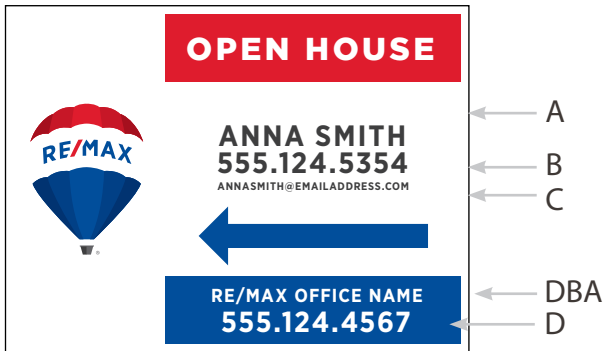
**Model A - 24" X 18"**



**Model B - 24" X 18"**



**Model C - 24" X 18"**



**LOGOS:**



\* Note: For quality purpose, agent photos should be taken at the highest possible resolution, but no less than 6" x 6" at 300 dpi (dots per inch). Shoot photos in color.

- Photo on file\*
- Sending photo by email\*

**24" x 18" Open House Signs**

**DESCRIPTION:**

- Printed 1 side only
- 4 mm coroplast sign
- White coroplast can be translucent in very bright areas

**Minimum order = 12**

**SPECIFICATIONS:**

- MODEL A**     **MODEL B**     **MODEL C**  
 FOR SALE    → QTY: \_\_\_\_\_     ← QTY: \_\_\_\_\_  
 OPEN HOUSE    → QTY: \_\_\_\_\_     ← QTY: \_\_\_\_\_

**Minimum order = 12**

- 12 = \$15.35/ea.
- 24 = \$14.70/ea.
- 50 = \$13.95/ea.

**MODEL A**

Company Name: **RE/MAX**  
 DBA \_\_\_\_\_  
 A) Agent name: \_\_\_\_\_  
 B) Agent Phone Number: \_\_\_\_\_  
 C) Office Phone Number: \_\_\_\_\_

**MODEL B**

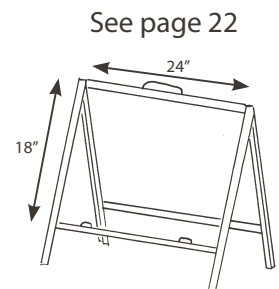
Company Name: **RE/MAX**  
 DBA \_\_\_\_\_

**MODEL C**

Company Name: **RE/MAX**  
 DBA \_\_\_\_\_  
 A) Agent Name: \_\_\_\_\_  
 B) Agent Phone Number : \_\_\_\_\_  
 C) Agent Website or Email: \_\_\_\_\_  
 D) Office Phone Number: \_\_\_\_\_

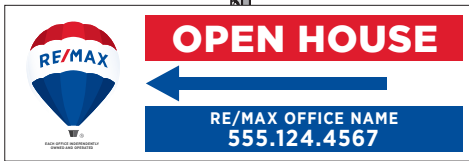
**ITEM X7070**

These signs work well with this A-Frame.

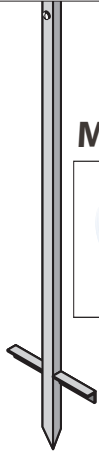


**ITEM X7025**

**Model A - 24" X 8"**



**Model B - 24" X 8"**



**24" x 8" DIRECTIONAL SIGN WITH STEP STAKE**

**DESCRIPTION:**

- 2 X 4 mm coroplast signs glued back to back
- Printed 1 side only, including step stake, nuts and bolts
- Weight: 3.75 lbs. each
- White coroplast can be translucent in very bright areas

**SPECIFICATIONS:**

Model A  Model B

**QUANTITY AND PRICE: NO MIXING**

10 = \$29.70/ea.  15 = \$29.15/ea.  25 = \$27.50/ea.

Company Name: **RE/MAX**

DBA \_\_\_\_\_

B) Agent Name: \_\_\_\_\_

C) Title: \_\_\_\_\_

D) Agent Phone Number: \_\_\_\_\_

**ITEM X7030**

**Model A - 24" X 8"**



**Model B - 24" X 8"**



**24" x 8" DIRECTIONAL SIGN**

**DESCRIPTION:**

- 4 mm coroplast sign

**SPECIFICATIONS: PRINTED 1 SIDE**

MINIMUM 10 EACH DIRECTION, NO MIXING

Model A  Model B

QTY →: \_\_\_\_  QTY ←: \_\_\_\_

**QUANTITY AND PRICE:**

20 = \$7.70/ea.  50 = \$7.20/ea.

30 = \$7.45/ea.

Company Name: **RE/MAX**

DBA \_\_\_\_\_

B) Agent Name: \_\_\_\_\_

C) Title: \_\_\_\_\_

D) Agent Phone Number: \_\_\_\_\_

**ALSO AVAILABLE: PRINTED 2 SIDES**

10 = \$15.30/ea.  25 = \$13.10/ea.

15 = \$13.90/ea.

## and Stakes

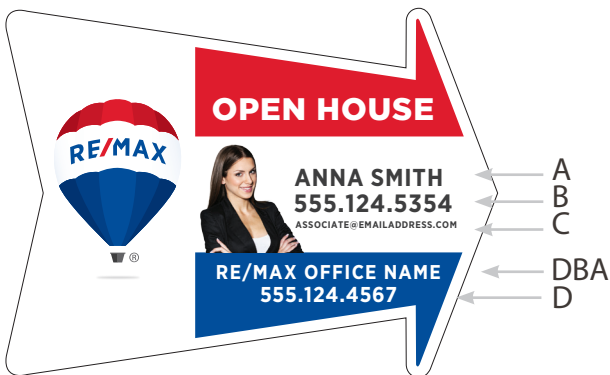
**ITEM X7050**

**Model 24" x 18"**



**ITEM X7055**

**Model 24" x 18"**



**LOGOS:**



### 24" x 18" ARROW DIE-CUT SIGN DIRECTIONAL SIGN WITH STEP STAKE

**DESCRIPTION:**

- 2 x 4 mm coroplast signs glued back to back
- Step stake, nuts and bolts
- Weight: 4.75 lbs. each

**SPECIFICATIONS:**

- FOR SALE       OPEN HOUSE

**QUANTITY AND PRICE: NO MIXING**

- 10 = \$48.75/ea.     25 = \$45.70/ea.

Company Name: **RE/MAX**

DBA \_\_\_\_\_

A) Agent Name: \_\_\_\_\_

B) Agent Phone Number: \_\_\_\_\_

C) Website or Email: \_\_\_\_\_

D) Office Phone Number: \_\_\_\_\_

### 24" x 18" SINGLE SIDED ARROW DIRECTIONAL SIGNS

**DESCRIPTION:**

- 4 mm coroplast sign
- Printed 1 side only

**SPECIFICATIONS:**

- FOR SALE    QTY → : \_\_\_\_    QTY ← : \_\_\_\_  
 OPEN HOUSE    QTY → : \_\_\_\_    QTY ← : \_\_\_\_

**QUANTITY AND PRICE: NO MIXING**

MINIMUM ORDER 10 PER DIRECTION

- 20 = \$15.25ea.     50 = \$12.55/ea.

Company Name: **RE/MAX**

DBA \_\_\_\_\_

A) Agent Name: \_\_\_\_\_

B) Agent Phone Number: \_\_\_\_\_

C) Website or Email: \_\_\_\_\_

D) Office Phone Number: \_\_\_\_\_

**ITEM X7051**

**Model 24" x 18"**



**24" X 18"**  
**LITTLE HOUSE DIE-CUT SIGN**  
**DIRECTIONAL SIGN WITH STEP STAKE**

**DESCRIPTION:**

- 2 X 4 mm coroplast signs glued back to back
- Includes step stake, nuts and bolts
- Weight: 4.75 lbs. each

**SPECIFICATIONS:**

- FOR SALE
- OPEN HOUSE

**QUANTITY AND PRICE: NO MIXING**

- 10 = \$38.50/ea.
- 15 = \$36.85/ea.
- 25 = \$35.20/ea.

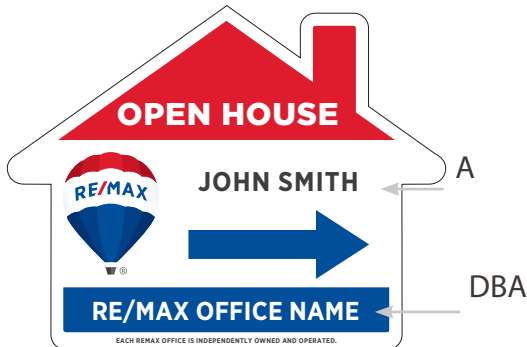
Company Name: **RE/MAX**

DBA \_\_\_\_\_

A) Agent name: \_\_\_\_\_

**ITEM X7052**

**Model 24" x 18"**



**SINGLE SIDED DIRECTIONAL SIGNS**

**DESCRIPTION:**

- Printed 1 side only
- 1 X 4 mm coroplast sign

**SPECIFICATIONS:**

- FOR SALE QTY → : \_\_\_\_\_ QTY ← : \_\_\_\_\_
- OPEN HOUSE QTY → : \_\_\_\_\_ QTY ← : \_\_\_\_\_

Company Name: **RE/MAX**

DBA \_\_\_\_\_

A) Agent Name: \_\_\_\_\_

**QUANTITY AND PRICE: NO MIXING**

MINIMUM ORDER 10 PER DIRECTION

- 20 = \$12.90/ea.

**LOGOS:**



Please Photocopy  
AND ATTACH TO ORDER FORM

**ITEM X7060**

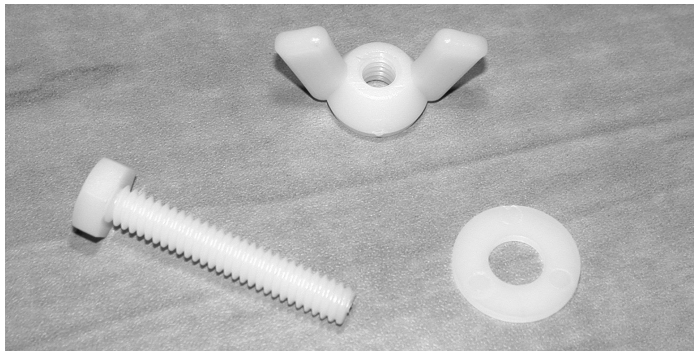
**STEP STAKE NUTS AND BOLTS**

**DESCRIPTION:**

- 1 Bag = 10 bolts, 10 wing nuts and 20 washers

**PRICE:**

\$4.70 each bag



**ITEM X7070**

**A-FRAME OR TENT FRAME**

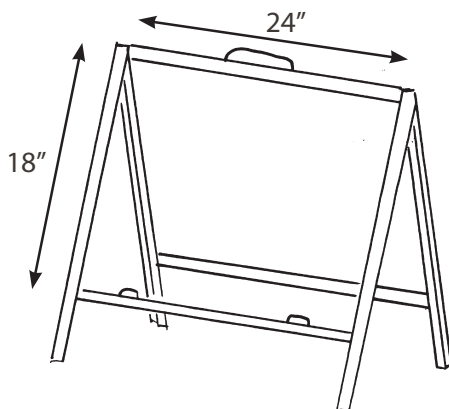
**DESCRIPTION:**

- Powder coated For OPEN HOUSE, FOR SALE and DIRECTIONAL

**PRICE:**

4 PER BOX

\$42.90 each frame



**ITEM X7065**

**SIGN PEGS**

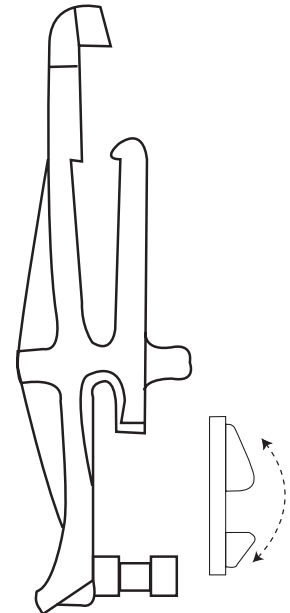
**DESCRIPTION:**

- Plastic Sign Holder Pegs

**PRICE:**

9 PER BAG

\$19.80 each bag



**ITEM X7075**

**RIDER SIGN HANGER CLIPS**

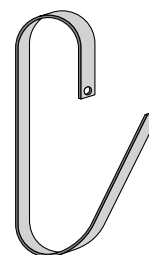
**DESCRIPTION:**

- 100% Stainless Steel Clips, For Hanging Name Rider Signs
- 36 clips per bag

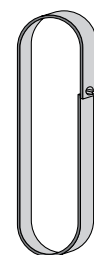
**PRICE:**

\$29.30 per bag

**OPEN**



**CLOSE**



**ITEM X7085**

**EXTRA YARD SIGN  
GROUND STAKES**

**DESCRIPTION:**

- Powder coated
- Available only in packages of 3 ground stakes

**PRICE:**

3 PER PACKAGE  
\$38.70 per package



**ITEM X7090**

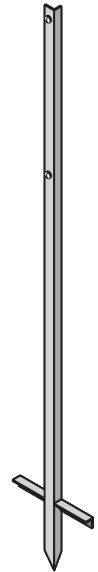
**STEP STAKES**

**DESCRIPTION:**

- Step Stake 48"
- Weight: 2.75 lbs. each
- Minimum order of 5
- Includes nylon nuts, bolts and washers
- Powder coated

**PRICE:**

5 PER BOX  
\$74.25 per box



**ITEM X7095**

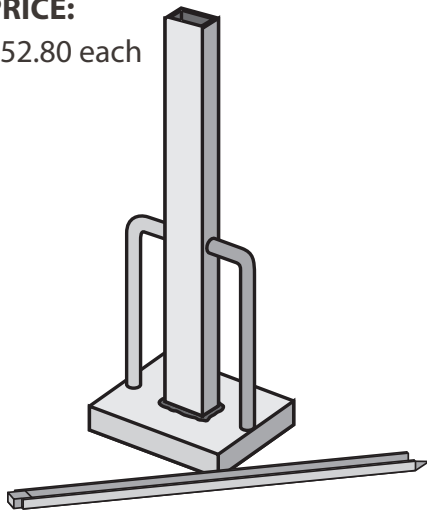
**STAKE HAMMER**

**DESCRIPTION:**

- For installing sign stakes
- Avoid flaring top of steel stakes
- Weight: 15 lbs.
- Powder coated

**PRICE:**

\$52.80 each



**ITEM X8000**

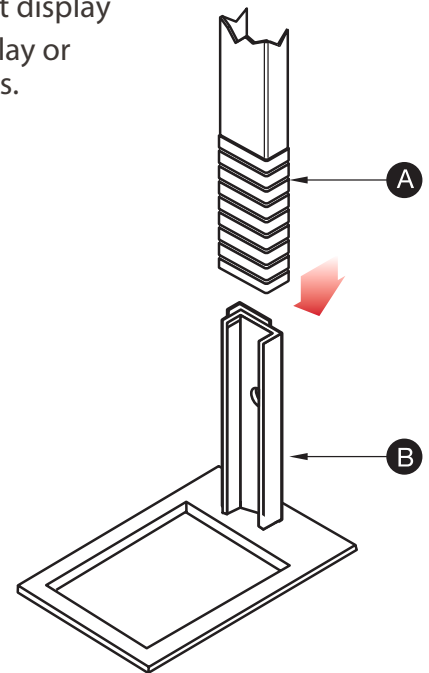
**PORTABLE  
DISPLAY BASE**

**DESCRIPTION:**

- Office sign and post display
- To be used for display or office special events.
- Powder coated

**PRICE:**

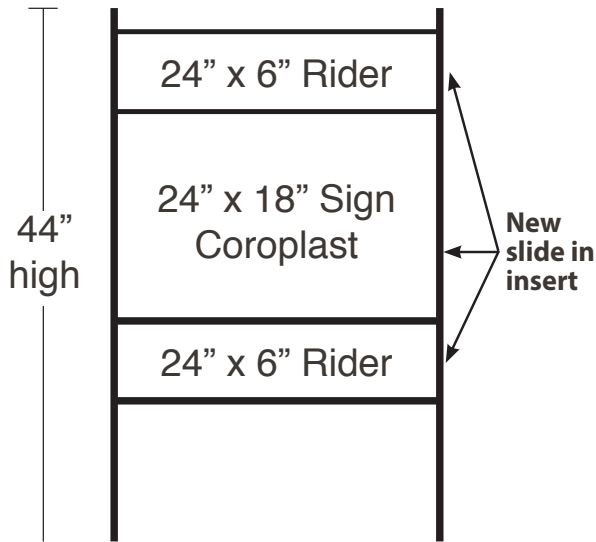
\$51.20 each



Please Photocopy  
AND ATTACH TO ORDER FORM

ITEM X7080

**NEW DESIGN**



## RESIDENTIAL STEEL YARD FRAME

### DESCRIPTION:

- NO INSTALLER NECESSARY
- QUICK AND EASY TO INSTALL
- Accomodates our 24" x 18" 4 mm Coroplast sign (Item X6005) and has special feature for holding sign riders 24" x 6"
- Black powder coat
- 3/4" Steel angle frame
- Does not include sign panels.

### QUANTITY AND PRICE:

4 PER BOX

Qty: \_\_\_\_\_

4-20 = \$57.20 each frame

24-100 = \$53.90 each frame



**Promotion Products**

**ITEM X8010**

**UMBRELLA**

**DESCRIPTION:**

- 30" rib length, 60" arc
- 190T Polyester
- 14 mm black fiberglass shaft
- Fiberglass ribs and frame
- Manual open
- Plastic tips and metal top
- Plastic hand grip with ID name card insert
- Velcro® tie closure
- Fiberglass ribs and frame for added strength and durability
- SP PP PS - 11"W X 10"H (panel)

**PRICE:**

\$23.10 each



**NEW**  
**LARGE AND IMPROVED**

**ITEM X8030**

**ULTRASONIC RANGE FINDER**

**DESCRIPTION:**

- Realtors convenient distance measuring tool
- Automatic conversion between imperial & metric units with the push of a single button
- Measuring range 0.3 - 15 m or 1 foot - 50 feet

**PRICE:**

\$33.00 each



**ITEM X8025**

**ZIPPERED LEGAL PORTFOLIO**

**DESCRIPTION:**

- Koskin material
- Three-sided zipper closure
- Full-length outside zippered pocket
- Inside compartment for CD's and DVD's accordion pocket for files
- Inside zippered pocket
- Logo in colors



**PRICE:**

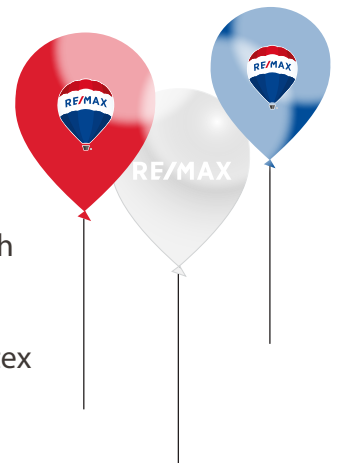
\$39.05 each

**ITEM X8015**

**BALLOONS**

**DESCRIPTION:**

- White 12" balloons with RE/MAX logo printed 2 sides
- Helium quality pure latex



**QUANTITY AND PRICE:**

QTY	250	500	1000
PRICE	<b>\$ 77.00</b>	<b>\$ 154.00</b>	<b>\$ 302.50</b>

Please Photocopy  
AND ATTACH TO ORDER FORM

Promotion Products

ITEM X8035

Model A



Feather flag

DESCRIPTION:

- Made with polyester materia
- Double stucked pole pocket
- Fits polers up to 3/4"
- Height: 86"
- Widht: 28.5"
- Weight: 4 lbs.



Specify:

MODEL A  MODEL B

MODEL C

Feather Flag Kit includes

- 1 Feather Flag
- 1 Feather Flag with pole
- 1 Carring Bag
- Printed 1 side

Yard Sign Printing Specifications:

Company Name: **RE/MAX**

DBA \_\_\_\_\_

B) Agent Name: \_\_\_\_\_

C) Agent Phone Number: \_\_\_\_\_

Model B



Model C



EXTRA

ITEM X8036

Feather Flag

Office Floor Base \$ 82.50 each



ITEM X8037

Feather Flag

Ground Stake \$ 42.90 each



Please Photocopy  
AND ATTACH TO ORDER FORM

**HOW TO ORDER:**

1. Photocopy catalogue page
2. Complete order form
3. Order directly by sending the order form via mail, fax or Email.
4. Orders must be accompanied by payment to begin processing.

**Terms:**

You may pay for your merchandise by Visa, MasterCard or American Express. Check or money order in full (including shipping and applicable sales/tax). Shipping charges will automatically be added on charge card orders. When ordering by check or money order, and you would like to prepay shipping charges, you may call for exact freight charges. No C.O.D.'s accepted. Our minimum order is \$40.00. Prices subject to change without notice. Home Colonial Signs Post is not responsible for following individual local or municipal sign restrictions and specifications. If your area has specific sign codes or restrictions you must inform us in writing at the time you place your order.

**Sales/Tax:**

The appropriate tax will be added to all orders shipped.

**Returns:**

Merchandise can not be returned without written permission. No refunds can be given on personalized merchandise. All returned merchandise must be shipped freight prepaid.

**ORDER FORM:**

Company name: **RE/MAX** \_\_\_\_\_

Address: \_\_\_\_\_

City: \_\_\_\_\_ Province: \_\_\_\_\_

Postal code: \_\_\_\_\_

Telephone: (\_\_\_\_) \_\_\_\_\_ Fax: (\_\_\_\_) \_\_\_\_\_

Card holder name: \_\_\_\_\_

Credit card number: \_\_\_\_\_ Expiry date: M / Y \_\_\_\_\_ **3 DIGIT CODE =** \_\_\_\_\_

Visa     
  Mastercard     
  American Express     
  Check

Card holder signature: \_\_\_\_\_

**FOR EXACT PRINTING DETAILS, SEE MODELS ON APPROPRIATE PAGES AND PHOTOCOPY**

QTY	ITEM NO	SIZE	DESCRIPTION	EACH	TOTAL

**SHIPPING AND BILLING CHARGES:**

Shipping charges will automatically be included on charge card orders. When ordering by check or money order, and would like to prepay shipping charges, you may call for exact freight charges.

Total Price of items \_\_\_\_\_  
 (see shipping charge information) Shipping Charges \_\_\_\_\_  
 Total amount of Order \_\_\_\_\_  
 H.S.T. or G.S.T. (Canadian Customers Only) \_\_\_\_\_

TOTAL \_\_\_\_\_  
 Québec clients, add Q.S.T. \_\_\_\_\_  
**GRAND TOTAL** \_\_\_\_\_

**NEED A CATALOGUE?**  
 Download it from our website [homecolonialsignpost.com](http://homecolonialsignpost.com)

Please Photocopy  
 AND ATTACH TO ORDER FORM



VISA



AMERICAN EXPRESS

1699 Station Road, Mascouche, QC J7L 2J6

T. 450 477-2828 | F. 450 477-6819 | [hcssigns@sympatico.ca](mailto:hcssigns@sympatico.ca)