

HOME COLONIAL SIGNPOST

DIVISION OF ROBWOOD INC



WE SHIP ACROSS CANADA



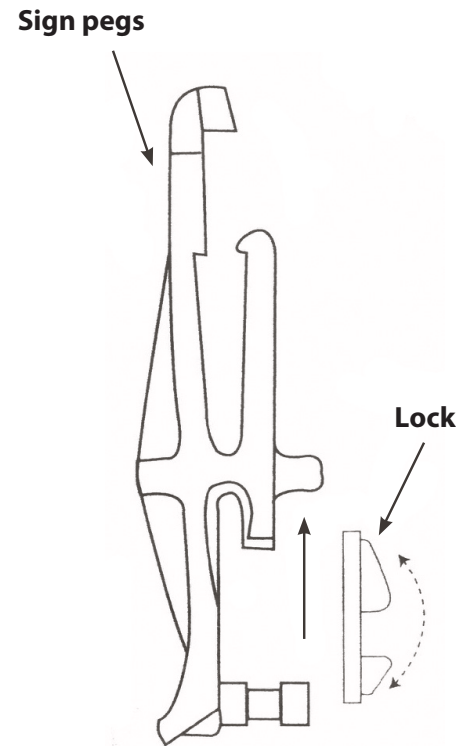
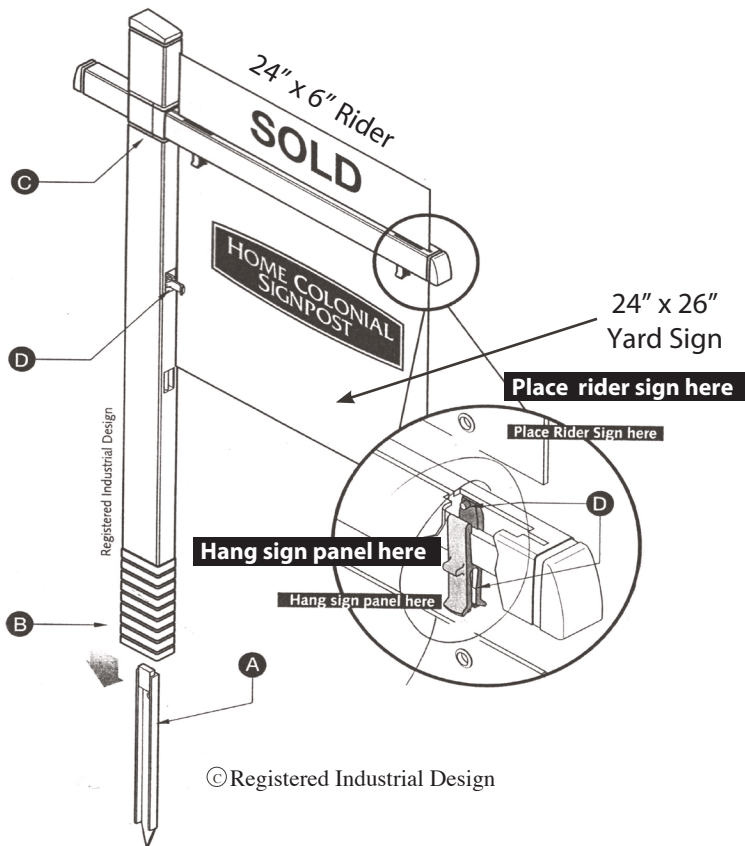
FOR CATALOGUE UPDATES AND SALE'S PROMOTIONS, PLEASE REFER TO
homecolonialsignpost.com

REAL ESTATE YARD SIGN CATALOGUE
TEL.: 450-477-2828 • E-mail: hcssigns@sympatico.ca



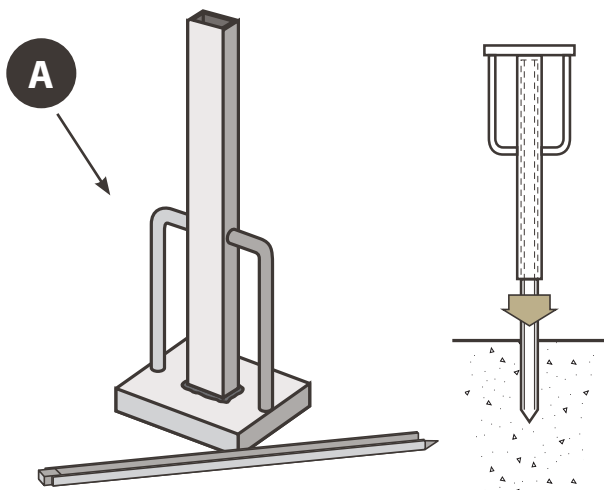
- ▶ How to install 3
- ▶ Imagemaker sign post..... 4
- ▶ Residential Yard Signs 60” Post System 5-6-7-8
- ▶ Residential 36” Yard Signs 9
- ▶ Name Riders Personalize your Rider with a photo.....10-11
- ▶ Complete Steel Frame Kit Special 12
- ▶ Commercial Signs 13-14-15-16
- ▶ Global Luxury Yard Signs 17
- ▶ Sign Post kit 18-19
- ▶ Sign Riders..... 20
- ▶ Sign Stickers 21
- ▶ Open House Signs 22-23
- ▶ Directional Sign 24-25-26
- ▶ Wire Stakes Directional Signs27
- ▶ Sign Accessories28-29-30
- ▶ Personal31-32-33
- ▶ Order Form 34

The Imagemaker Sign Post



(For hanging main sign panel beneath cross-arm, and, for attaching side of main sign panel to upright post to prevent swinging)

QUICK'N EASY



- A** Pound stake into soil using a stake hammer (stop at the yellow line);
- B** Slide upright portion of post onto top of stake;
- C** Slide cross arm portion into upright until snap;
- D** Insert sign pegs in post and hang sign panel;
- E** Slide message rider sign into slot of cross arm;

« Snap Assembly » Sign Post System

Main Post 60", Cross Arm 36"

ITEM C2005P



Includes sign post assembly & ground stake.

QTY: 3 Per Box Model A = \$ 82.30 each post
 Model B = \$ 86.30 each post

Available in boxes of 3 only

Quick'n easy to install:

- Pound stake into ground with stake hammer
Item #7095, page 28
- Slide upright portion of post onto top of stake;
- Slide cross arm portion into upright until it snaps;
- Insert sign pegs in post until they clip, hang sign panel, and then slide rider sign into slot of cross arm.

2 PRODUCT WARRANTY YEARS!*

*Your Imagemaker Signpost warranty covers all defects in materials and workmanship.

The following are not covered by the warranty:

- Units on which the manufacture date has been defaced, modified or removed.**
- Damage or deterioration resulting from:**
 - Installation or removal of the signpost
 - Accident, misuse, abuse, neglect, unauthorized product modification.
 - Installation of parts or accessories that do not conform to the quality or specification of the original sign post or accessories

Yard Signs 60" Sign Post System

ITEM C6005

24" x 18" - Corrugated Plastic Sign Panel - 4 mm

DESCRIPTION:

- Printed 2 sides
- Imprinted with DBA, phone number and website
- Standard 5 grommets hole pattern

Choose from two color schemes!

Model A Model B

5 grommets No grommet

To fit Steel Frames

- 6 = \$ 25.00 each
- 12 = \$ 18.70 each
- 25 = \$ 18.20 each

Same sign printed 1 side only

- 6 = \$ 21.60 each
- 12 = \$ 15.35 each
- 25 = \$ 14.70 each

YARD SIGN PRINTING SPECIFICATIONS:

Company Name: **COLDWELL BANKER**

A) DBA: _____

D) Website: _____

E) Office Phone Number: _____

Model A



Model B



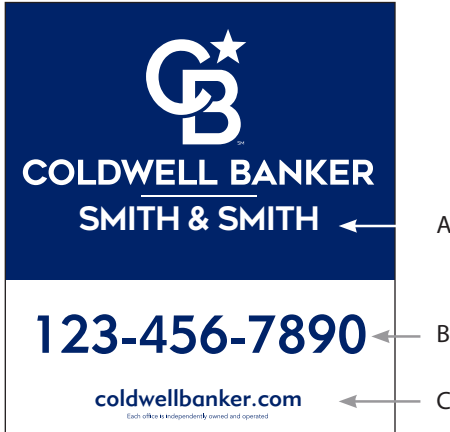
Logos



Yard Signs 60" Sign Post System

ITEM C6010

Model A



Model B



Model C



24" x 26"

Yard Sign With Associate Identifier

DESCRIPTION:

- Printed 2 sides
- 4 mm coroplast office identification sign
- Imprinted with DBA, phone number and website
- White coroplast can be translucent in very bright areas

Choose from four color schemes!

Model A Model B

Model C Model D

3 grommets No grommet

(grommets: two (2) on top and one (1) on left side of sign)

6 = \$ 30.60 each

12 = \$ 24.40 each

25 = \$ 22.85 each

YARD SIGN PRINTING SPECIFICATIONS:

Company Name: **COLDWELL BANKER**

A) DBA _____

B) Office Phone Number _____

C) Website: _____

Logos



Model D



Please Photocopy

AND ATTACH TO ORDER FORM

Yard Signs 60" Sign Post System

ITEM C6015

Model A



Model B



Model C



24" x 26"

**Yard Sign With Associate Identifier
& Agent Photo**

DESCRIPTION:

- Printed 2 sides
- 4 mm coroplast office identification sign
- Imprinted with DBA, phone number and website
- White coroplast can be translucent in very bright areas

Choose from four photos schemes!

Model A Model B Model C Model D

3 grommets No grommet

(grommets: two (2) on top and one (1) on left side of sign)

Photo on file Sending photo by email

Forward photo in 300 DPI by Email to: hcssigns@sympatico.ca

- 6 = \$ 30.60 each
- 12 = \$ 24.40 each
- 25 = \$ 22.85 each

YARD SIGN PRINTING SPECIFICATIONS:

Company Name: **COLDWELL BANKER**

- A) DBA: _____
- B) Agent Name: _____
- C) Title: _____
- D) Agent Website or Email: _____
- F) Agent Phone Number: _____

Logos:



Model D



* Note: For quality purpose, agent photos should be taken at the highest possible resolution, but no less than 5.5" x 5.5" at 300 dpi (dots per inch). Shoot photos in black and white. Color photos can be used, but the sophistication of black and white are recommended because they are more elegant, modern and professional.

**Please Photocopy
AND ATTACH TO ORDER FORM**

Yard Signs 60" Sign Post System

ITEM C6035

Model A



Model B



36" x 32" Yard Sign with associate identifier

DESCRIPTION:

- **Printed 2 sides**
- Imprinted with DBA, Website and phone number
- 4 mm coroplast office & agent identification sign
- White coroplast can be translucent in very bright areas
- 4 grommets (two (2) on top and two (2) on left side)

Choose from two color schemes!

- Model A Model B
- 4 grommets No grommet

- 5 = \$ 45.95 each
- 10 = \$ 45.10 each
- 15 = \$ 44.40 each

Company Name: **COLDWELL BANKER**

A) DBA _____

B) Office Phone Number: _____

C) Website _____

Logos:



Please Photocopy AND ATTACH TO ORDER FORM

36" Yard Signs

ITEM C6040

Model A



Model B



36" x 24" - Yard Sign

DESCRIPTION:

- **Printed 2 sides**
- 4 mm coroplast office identification sign
- Imprinted with DBA, Website and phone number
- White coroplast can be translucent in very bright areas
- 5 grommets (two(2) on top, one (1) left and two (2) on bottom)

Choose from two color schemes!

- Model A Model B
- 5 grommets No grommet

- 6 = \$ 37.60 each
- 12 = \$ 34.65 each
- 25 = \$ 32.85 each
- 50 = \$ 32.15 each

YARD SIGN PRINTING SPECIFICATIONS:

Company Name: **COLDWELL BANKER**

A) DBA _____

B) Office Phone Number _____

C) Website: _____

Logos:



**Please Photocopy
AND ATTACH TO ORDER FORM**

Personalize Your Rider With a Photo

ITEM C6045

Model A



Model B



Model C



Model D



36" x 8" Name Rider

Description:

- **Printed 2 sides**
- 4 mm coroplast agent identification sign
- 2 grommets (on top or bottom)

Model A Model B Model C Model D

12 = \$ 14.65 each With photo 6" x 6"

25 = \$ 13.10 each

2 grommets:

Top or Bottom

A) Agent Name: _____

A) Title: _____

C) Agent Phone Number: _____

A) Website: _____

* Note: For quality purpose, agent photos should be taken at the highest possible resolution, but no less than 5.5" x 5.5" at 300 dpi (dots per inch). Color photos can be used.

Personalize Your Rider With a Photo

ITEM C6085

Model A



Model B



Model C



Model D



24" x 6 - Agent Name Riders

Description:

- **Printed 2 sides**
- 4 mm coroplast agent identification sign

Model C Model D

12 = \$ 10.40 each

25 = \$ 8.80 each

2 grommets:

Top or Bottom

Center print for steel frames

24" x 8 - Agent Name Riders

Description:

- **Printed 2 sides**
- 4 mm coroplast agent identification sign

Model A Model B Model C Model D

12 = \$ 11.80 each With photo 5.5" x 5.5"

25 = \$ 10.25 each

2 grommets:

Top or Bottom

Sign Printing specifications:

A) Agent Name: _____

B) Title: _____

C) Agent Phone Number: _____

Photo on file **Sending photo by email**

Forward photo in 300 DPI by Email to: hcsgns@sympatico.ca

*Note: For quality purpose, agent photos should be taken at the highest possible resolution, but no less than 5.5" x 5.5" at 300 dpi (dots per inch). Color photos can be used.

**Please Photocopy
AND ATTACH TO ORDER FORM**

Complete Steel Frame Kit

ITEM C6075

SPECIAL

- (ITEM 6075) A) 8 STEEL FRAMES
- (ITEM 6005) B) 8 YARD SIGNS 24" x 18"
- (ITEM 6085) C) 8 NAME RIDERS 24" x 6"
- (ITEM 6090) D) 4 "NEW PRICE" 24" x 6"
- (ITEM 6090) E) 4 "OPEN SUNDAY 2 TO 4 P.M." 24" x 6"
- (ITEM 6090) F) 4 "SOLD" 24" x 6"

Choose from two color schemes!

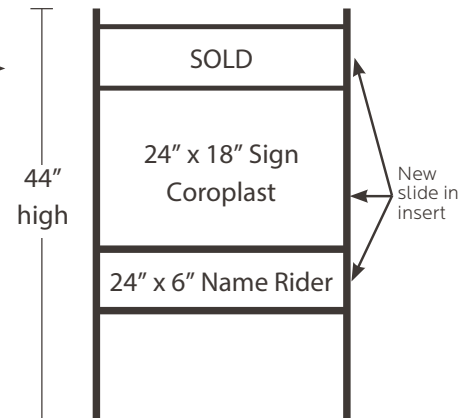
Model A



Model B



New design →



Model A

Model B

Company Name: **COLDWELL BANKER**

A) DBA _____

B) Office Phone number: _____

NAME RIDER

C) Agent Name: _____

D) Title: _____

E) Agent Phone Number: _____

Frame Item #7080 / see page 30

A value of \$ 830.15
for only **\$ 781.00**

* The CENTURY 21 Policy and Procedures Manual requires that brokers use the CENTURY 21 Colonial Post Sign made to Franchise Identification System Specifications unless prohibited from doing so by the client or by law or local ordinance. Yard signs depicted in other formats are offered for your convenience and should only be used when it is not possible to use the Colonial Post Yard Sign.

Please Photocopy
AND ATTACH TO ORDER FORM

Commercial Signs

ITEM C6070

Model A



Sample Message

Model B



Sample Message

60" x 48" Extra Large Yard Sign

LARGE, PRINTED ONE SIDED COROPLAST SIGN IDEAL FOR INDUSTRIAL, COMMERCIAL BUILDINGS, OPEN LOTS AND ACREAGE.

Ready to install on buildings, etc. Coroplast signs are inexpensive to ship and easy to install.

Signs should be supported with wooden frame (1" x 3" furring).

DESCRIPTION:

- Printed 1 side only
- 6 mm coroplast office identification sign.
- Imprinted with DBA, website and phone number

Model A **Model B**

1 = \$ 159.50 each

3 = \$ 150.70 each

6 = \$ 137.00 each

YARD SIGN PRINTING SPECIFICATIONS:

Company Name: **COLDWELL BANKER**

A) DBA _____

B) Website: _____

C) Office Phone Number: _____

D) Agent name: _____

E) Title: _____

F) Agent Phone Number: _____

G) Agent Website or Email: _____

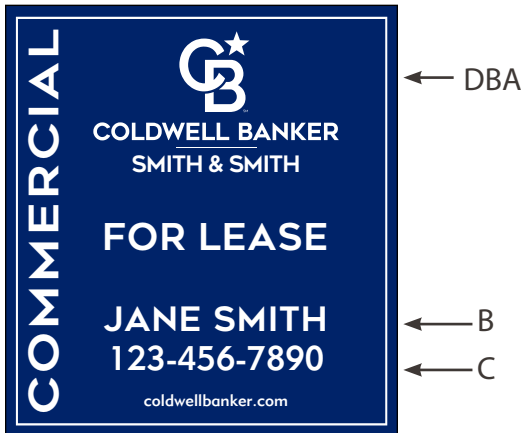
H) Message: _____

**Please Photocopy
AND ATTACH TO ORDER FORM**

Yard Signs 60" Sign Post System

ITEM C6060

Model A



24" x 26" - Commercial Yard Sign With Associate Identifier

DESCRIPTION:

- Printed 2 sides
- 4 mm coroplast office identification sign
- Imprinted with DBA and phone number

Model A Model B

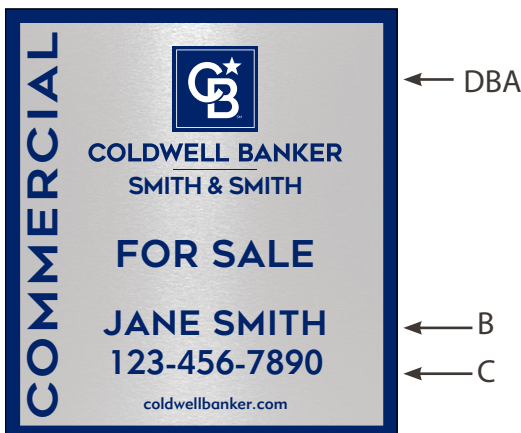
3 = \$ 35.20 each

6 = \$ 30.60 each

12 = \$ 24.40 each

3 grommets No grommets

Model B



Yard Sign Printing Specifications:

Company Name: **COLDWELL BANKER**

A) DBA _____

B) Agent Name: _____

C) Agent Phone Number: _____

Model A



24" x 8 -Message Riders

DIGITAL PRINT

Description:

2 grommets: Top or Bottom

Model A

3 = \$ 21.20 each 6 = \$ 18.10 each 12 = \$15.00 each

Your Sign Message: _____

Commercial Signs

ITEM C6065

Model A



← DBA

← B

← C

48" x 48" - Large Yard Sign

LARGE, PRINTED ON ONE SIDE COROPLAST SIGN IDEAL FOR INDUSTRIAL, COMMERCIAL BUILDINGS, OPEN LOTS AND ACREAGE.

Ready to install on buildings, etc. Coroplast signs are inexpensive to ship and easy to install. Signs should be supported with wooden frame (1" x 3" furring).

DESCRIPTION:

- Printed 1 side only
- 6 mm coroplast office identification sign

48" x 48" - with upper message

Model A Model B

1 = \$ 161.70 each

3 = \$ 146.30 each

5 = \$ 126.30 each

Your Sign Message: _____

Company Name: **COLDWELL BANKER**

A) DBA _____

B) Agent Name: _____

C) Agent Phone Number: _____

Model B



← DBA

← B

← C

Please Photocopy
AND ATTACH TO ORDER FORM

Commercial Signs

ITEM C6072

Model A



Model B



60" x 48" Extra Large Yard Sign

LARGE, ONE SIDED COROPLAST SIGN IDEAL FOR INDUSTRIAL, COMMERCIAL BUILDINGS, OPEN LOTS, ACREAGE.

Ready to install on buildings, etc. Coroplast signs are inexpensive to ship and easy to install.

Signs should be supported with wooden frame (1" x 3" furring).

DESCRIPTION:

- Printed one sided
- 6 mm coroplast office identification sign.

Model A **Model B**

- 2 = \$ 181.75 each
- 3 = \$ 167.90 each
- 6 = \$ 160.15 each

YARD SIGN PRINTING SPECIFICATIONS:

- A) Company Name: **COLDWELL BANKER** _____
- D) Agent name: _____
- F) Agent Phone Number: _____
- G) Agent Website or Email: _____

Your Sign Message: _____

Main Post 60", Cross Arm 36"

ITEM C6050

Model A



24" x 30" Global Luxury Yard Sign

DESCRIPTION:

- 4 mm coroplast office identification sign.
- Imprinted with DBA, Website and phone number

Model A

- 3 = \$ 38.30 each 4 grommets
- 6 = \$ 36.20 each No grommets
- 12 = \$ 33.45 each

Riders 24" x 8 - Die-Cut

- 3 = \$ 23.10 each



ITEM C6055



SPECIAL

COMPLETE GLOBAL LUXURY SIGN POST KIT

DESCRIPTION:

- A) 3 IMAGE MAKER 60" BLACK SIGN POSTS complete with ground stakes & 3 extra pegs
- B) 3 Yard signs (24" x 30")
- C) 3 Personalized riders with photo



Forward photo in 300 DPI by e-mail to : hcssigns@sympatico.ca

- Photo on file Sending photo by email

Logos



Company Name: **COLDWELLBANKER**

- A) DBA _____
- B) Agent name: _____
- C) Agent Phone Number: _____
- D) Agent Website or Email: _____

**Please Photocopy
AND ATTACH TO ORDER FORM**

60" Sign post system

ITEM C9000



SPECIAL

COMPLETE SIGN POST KIT WITH PICTURE

Model A

DESCRIPTION:

- A) 6 IMAGE MAKER 60" SIGN POSTS
complete with ground stakes & pegs
- B) 6 Yard signs (24" x 26") with associated identifier
- C) 12 Message riders (24" x 6")
 - 3 "NEW PRICE"
 - 3 "OPEN SUNDAY 2 - 4"
 - 3 "JUST LISTED"
 - 3 "SOLD"

- Photo on file* Sending photo by email*

Logos:



Company Name: **COLDWELL BANKER**

- A) DBA: _____
- B) Website: _____
- C) Office Phone Number: _____
- D) Agent name: _____
- E) Title: _____
- F) Agent Phone Number: _____
- G) Agent Website or Email: _____

* Note: For quality purpose, agent photos should be taken at the highest possible resolution, but no less than 5.5" x 5.5" at 300 dpi (dots per inch). Color photos can be used.

Please E-mail photo to: hcssigns@sympatico.ca

A value of \$ 764.90
for only **\$714.50**

60" Sign post system

SPECIAL 
COMPLETE SIGN POST KIT

ITEM C9000

Model B

DESCRIPTION:

- A) 6 IMAGE MAKER 60" BLACK SIGN POSTS
complete with ground stakes & pegs
- B) 6 Yard signs (24" x 26") with associated identifier
- C) 12 Message riders (24" x 6")
 - 3 "NEW PRICE"
 - 3 "OPEN SUNDAY 2 - 4"
 - 3 "JUST LISTED"
 - 3 "SOLD"

- Photo on file*
- Sending photo by email*

Logos:



Company Name: **COLDWELL BANKER**

- A) DBA _____
- B) Agent name: _____
- C) Title: _____
- D) Agent Phone Number: _____
- E) Agent Email: _____
- F) Agent Website: _____

* Note: For quality purpose, agent photos should be taken at the highest possible resolution, but no less than 5.5" x 5.5" at 300 dpi (dots per inch). Color photos can be used.

Please E-mail photo to: hcssigns@sympatico.ca

**Please Photocopy
AND ATTACH TO ORDER FORM**



A value of \$ 784.40
for only **\$ 736.50**

ITEM C6090

Model A

FOR SALE

Model B

OPEN HOUSE

Model C

SOLD

Model D

OPEN HOUSE

Special Features And Activities

DESCRIPTION:

- Printed 2 sides
- 4 mm coroplast sign riders.

White coroplast can be translucent in very bright areas

NOTE: Minimum of 12 signs, **no mixing.**

Model A Model B Model C Model D

Sign no. _____ Quantity _____

Description _____

Sign size: 24" x 6" 36" x 8"

• 2 grommets:

Top Bottom Center print for steel frames

24" x 6"

100 = \$ 4.85 each

50 = \$ 5.60 each

25 = \$ 6.60 each

12 = \$ 7.30 each

36" x 8"

100 = \$ 6.20 each

50 = \$ 6.80 each

25 = \$ 7.40 each

12 = \$ 8.70 each

7 0 0	COMMERCIAL	7 1 2	OPEN →	7 2 3	OPEN HOUSE	7 3 8	OPEN SUNDAY 2-4	7 5 1	MUST SEE INSIDE!
7 0 1	OFFICE	7 1 3	AUCTION	7 2 4	FOR LEASE	7 4 0	MODEL OPEN →	7 5 2	NEW PRICE!
7 0 2	3 BEDROOM	7 1 4	→	7 2 7	LOT	7 4 1	FARM	7 5 3	OPEN SUNDAY 1-3
7 0 5	LAKEFRONT	7 1 5	OPEN SUNDAY 1-4	7 2 8	SALE PENDING	7 4 2	OPEN SATURDAY	7 5 4	OPEN SAT. ____ TO ____
7 0 6	SWIMMING POOL	7 1 6	FOR SALE	7 2 9	RENTALS	7 4 3	OPEN SUNDAY	7 5 6	LAKE RIGHTS
7 0 7	BY APPT. ONLY	7 1 7	OWNER FINANCE	7 3 0	WATERFRONT	7 4 4	SOLD BUT WE HAVE OTHERS	7 5 7	LOT # ____
7 0 8	SOLD	7 1 8	EXCLUSIVE	7 3 1	INCOME PROPERTY	7 4 5	ACREAGE	7 5 8	NEW LISTING
7 0 9	2 FAMILY	7 1 9	LOTS	7 3 2	OPEN HOUSE →	7 4 8	DUPLEX	7 5 9	IN CONTRACT
7 1 0	4 BEDROOM	7 2 0	PRICE REDUCED	7 3 3	FOR RENT	7 4 9	HOME FOR SALE →	7 6 0	MULTI-FAMILY
7 1 1	____ ACRES	7 2 2	AVAILABLE	7 3 5	BUILT TO SUIT	7 5 0	HOME WARRANTY	7 6 1	CONDO

ITEM C6095

CUSTOM VINYL GRAPHIC STICKERS

- Black sticker, white lettering Size of Sticker: _____
- White sticker, black lettering
- Transparent sticker, white or black lettering

Message print: _____

ITEM C7000

WHITE OR BLACK STICKERS WITH BLACK OR WHITE LETTERING

SIZE	QUANTITY			
	15	25	50	100
<input type="checkbox"/> 15" X 3"	\$4.85 each	\$3.65 each	\$3.25 each	\$2.20 each
<input type="checkbox"/> 21" X 3"	\$5.45 each	\$4.15 each	\$3.75 each	\$3.15 each

Message print: _____

ITEM C7005

TRANSPARENT STICKERS WITH WHITE OR BLACK LETTERING

SIZE	QUANTITY			
	15	25	50	100
<input type="checkbox"/> 15" X 4"	\$5.60 each	\$4.15 each	\$3.65 each	\$2.90 each

Message print: _____

ITEM C7010

EXTRA LARGE PERSONALIZED STICKERS

SIZE	QUANTITY	
	15	25
<input type="checkbox"/> 24" X 7.5"	\$8.50 each	\$10.70 each

Message print: _____

ITEM C7015

Model A



24" x 18" Open House Signs

DESCRIPTION:

- Printed 1 side only
 - 4 mm coroplast sign
- White coroplast can be translucent in very bright areas

Minimum order = 12

Specify:

MODEL A

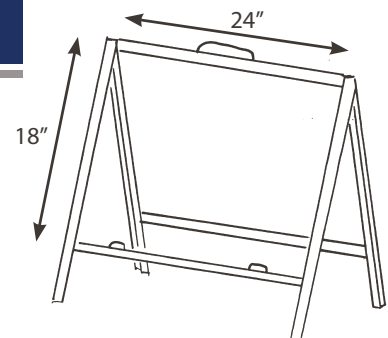
- FOR SALE → QTY: _____ ← QTY: _____
 OPEN HOUSE → QTY: _____ ← QTY: _____
 12 = \$ 15.35 each 50 = \$ 13.95 each
 24 = \$ 14.70 each

Yard Sign Printing Specifications:

- A) Company Name: **COLDWELL BANKER**
 DBA _____
 B) Agent name: _____
 C) Agent Phone Number: _____
 D) Agent website or Email: _____

ITEM C7070

page 29



ITEM C7015

Model B



24" x 18" Open House Signs

DESCRIPTION:

- Printed 1 side only
 - 4 mm coroplast sign
- White coroplast can be translucent in very bright areas

Minimum order = 12

Specify:

MODEL B

FOR SALE QTY: ____ QTY: ____

OPEN HOUSE → QTY: ____ ← QTY: ____

12 = \$ 15.35 each 50 = \$ 13.95 each

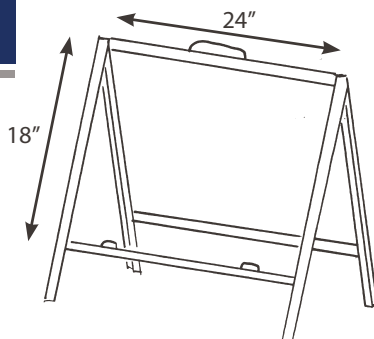
24 = \$ 14.70 each

Yard Sign Printing Specifications:

- A) Company Name: **COLDWELL BANKER**
 DBA _____
- B) Agent name: _____
- C) Agent Phone Number: _____
- D) Agent website or Email: _____

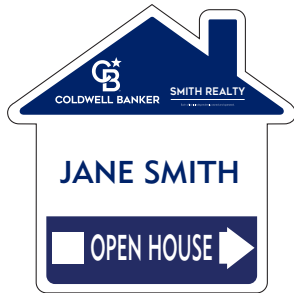
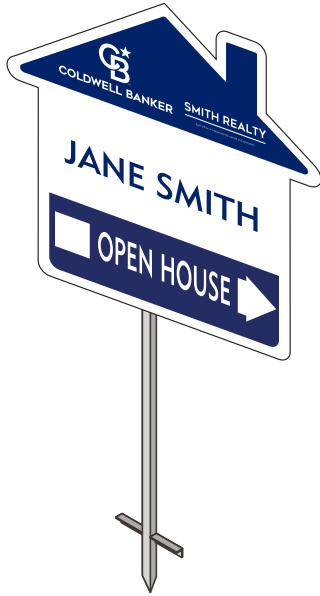
ITEM C7070

page 29



Please Photocopy
AND ATTACH TO ORDER FORM

ITEM C7051



Little House die-cut sign 18" X 18" Directional sign with step stake

DESCRIPTION:

- Printed one side
- 2 X 4 mm coroplast signs glued back to back
- Includes step stake, nuts and bolts
- Weight: 4.75 pounds each

SIGN PRINTING SPECIFICATIONS:

Company Name: **COLDWELL BANKER**

A) DBA _____

B) Agent name: _____

C) Title: _____

D) Agent Phone Number: _____

Specify: **OPEN HOUSE** **FOR SALE**

10 = \$ 38.50 each

15 = \$ 37.00 each

25 = \$ 35.20 each

ITEM C 7052



20 = \$ 12.90 each
Minimum order
10 per direction

Single sided directional signs

DESCRIPTION:

- 1 X 4 mm coroplast sign
- Printed 1 side only

SIGN PRINTING SPECIFICATIONS:

Company Name: **COLDWELL BANKER**

A) DBA _____

B) Agent name: _____

C) Title: _____

D) Agent Phone Number: _____

Indicate direction of arrow:

Arrow right QTY: _____

Arrow left QTY: _____

Specify: **OPEN HOUSE** **FOR SALE**

Please Photocopy
AND ATTACH TO ORDER FORM

ITEM C7045



**24" X 18" Arrow die-cut sign
Directional sign with step stake**

DESCRIPTION:

- 2 X 4 mm coroplast signs glued back to back
- Printed 1 side only
- Includes step stake, nuts and bolts
- Weight: 4.75 pounds each

SPECIFICATIONS:

FOR SALE • QTY: _____ OPEN HOUSE • QTY: _____

QUANTITY AND PRICE:

NO MIXING

10 = \$ 48.75 each 25 = \$ 45.65 each

Company Name: **COLDWELL BANKER**

- A) DBA _____
 B) Agent name: _____
 C) Title: _____
 D) Agent Phone Number: _____
 E) Website or Email: _____

ITEM C7050



Single sided Arrow directional signs

DESCRIPTION:

- 4 mm coroplast sign
- Printed 1 side only

SPECIFICATIONS:

FOR SALE → QTY: _____ ← QTY: _____
 OPEN HOUSE → QTY: _____ ← QTY: _____

QUANTITY AND PRICE:

NO MIXING - **Minimum order 10 per direction**

20 = \$ 15.25 each 50 = \$ 12.55 each

Company Name: **COLDWELL BANKER**

- A) DBA _____
 B) Agent name: _____
 C) Title: _____
 D) Agent Phone Number: _____

Please Photocopy
AND ATTACH TO ORDER FORM

ITEM C7025



Model A



Model B



- 10 = \$ 29.70 each
- 15 = \$ 29.15 each
- 25 = \$ 27.50 each

24" x 8" Directional Sign With Step Stake

DESCRIPTION:

- 2 X 4 mm coroplast signs glued back to back
- Printed one side only
- Includes step stake, nuts and bolts
- Weight: 3.75 lbs each

Choose from two color schemes!

White coroplast can be translucent in very bright areas

Model: A B

Specify: OPEN HOUSE FOR SALE

SIGN PRINTING SPECIFICATIONS:

A) Company Name: **COLDWELL BANKER**

DBA _____

B) Agent name: _____

ITEM C7030

Model A



Model B



- 20 = \$ 7.70 each
- 30 = \$ 7.45 each
- 50 = \$ 7.30 each

No mixing

* SAME SIGN PRINTED 2 SIDES:

- 10 = \$ 15.30 each
- 15 = \$ 13.90 each
- 25 = \$ 13.10 each

24" x 8" Directional sign

DESCRIPTION:

- 4 mm coroplast sign
- Printed one side only

SIGN PRINTING SPECIFICATIONS:

A) Company Name: **COLDWELL BANKER**

DBA _____

B) Agent name: _____

B) Specify: Minimum 10 each direction

Model: A OPEN HOUSE → QTY: _____ ← QTY: _____

Model: B FOR SALE → QTY: _____ ← QTY: _____

ITEM C7055

Model A



Model B



Model C



Model D



24" X 12" Directional sign with wire stakes

DESCRIPTION:

- **Printed 2 sides**
- With 30" galvanized wire stakes
- Use these lightweight, moisture proof, 4 mm corrugated plastic signs where cost is a factor. They will fit our H-Frame Wire Stake (sold separately. Signs are available with vertical flutes only and are printed on both sides. Personalized at no extra charge
- Weight: 4.75 pounds each

YARD SIGN PRINTING SPECIFICATIONS:

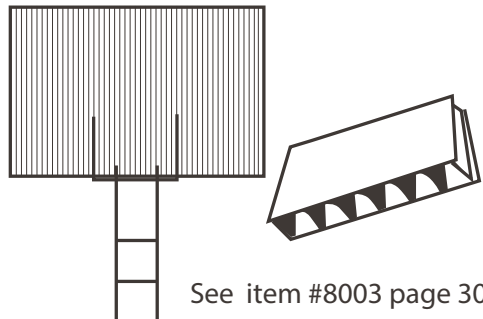
- A) Company Name: **COLDWELL BANKER**
- B) DBA: _____
- C) Title: _____
- D) Agent name: _____
- E) Agent Phone Number: _____

Specify: OPEN HOUSE **or FOR SALE**
Model A **Model B** **Model C** **Model D**

- 12 Directional signs & stakes = \$ 20.20 each**
- 24 Directional signs & stakes = \$ 19.55 each**
- 36 Directional signs & stakes = \$ 18.60 each**

Galvanized Wire Stake

- 10" X 30" galvanised stake
- 1/8" Wire construction
- For use with 4mm Corrugated sign panels
- Affordable and easy to use



See item #8003 page 30

**Please Photocopy
AND ATTACH TO ORDER FORM**

ITEM C7085

Extra Yard Sign Ground Stakes

DESCRIPTION:

- Powder coated
- Available only in a packages of 3 ground stakes

PRICE: \$38.70 per package



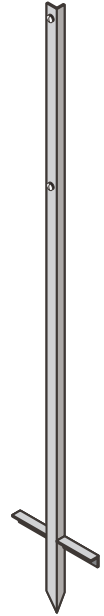
ITEM C7090

Step Stakes

DESCRIPTION:

- Step Stake 48"
- Weight: 2.75 lbs each
- 5 per box (minimum order of 5)
- Includes nylon nuts, bolts and washers
- Powder coated

PRICE: \$74.25 per box



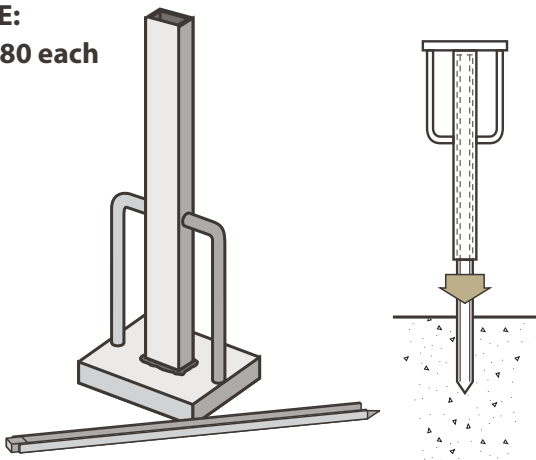
ITEM C7095

Stake Hammer

DESCRIPTION:

- For installing sign stakes
- Avoid flaring top of steel stakes
- Weight: 15 lbs.
- Powder coated

PRICE: \$ 52.80 each



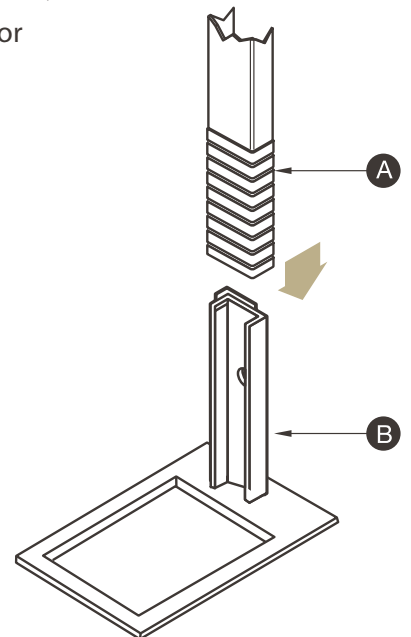
ITEM C8000

Portable Display Base

DESCRIPTION:

- Office sign and post display
- To be used for display or office special events.
- Powder coated

PRICE: \$51.20 each



ITEM C7060

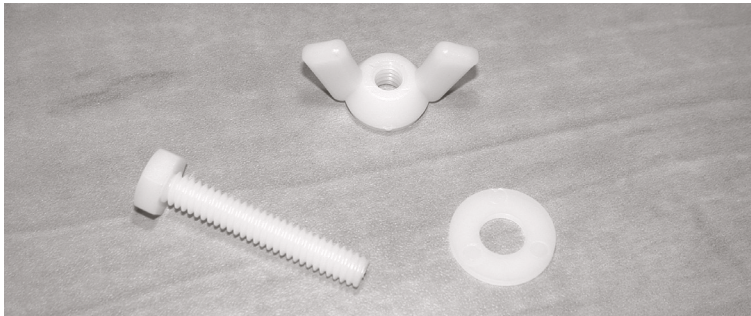
Step Stake Nuts And Bolts

DESCRIPTION:

- 1 Bag =** 10 bolts
10 wing nuts
20 washers

PRICE:

\$4.70 each bag



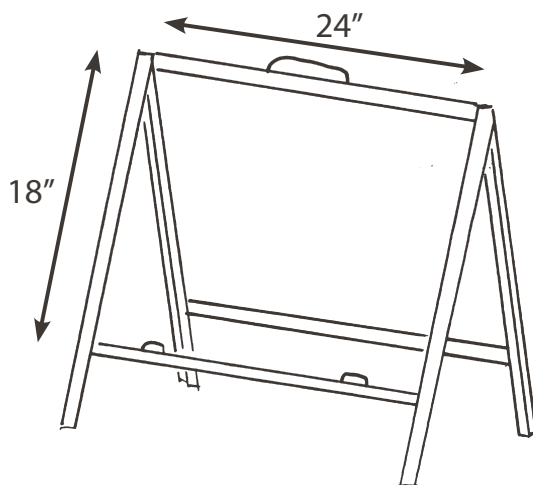
ITEM C7070

A-Frame or Tent Frame

DESCRIPTION:

- Powder coated For OPEN HOUSE, FOR SALE and DIRECTIONAL
- Available only in boxes of 4

PRICE: \$ 42.90each frame



Please Photocopy
AND ATTACH TO ORDER FORM

ITEM C7065

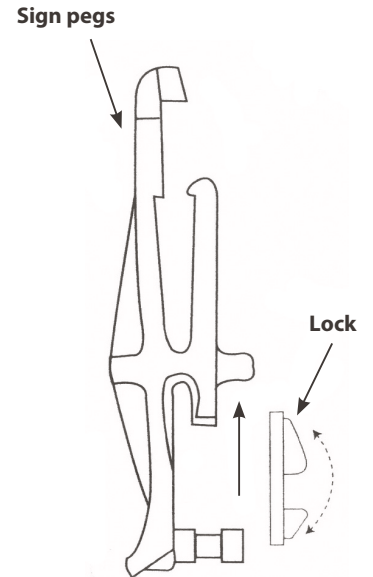
Sign Pegs

DESCRIPTION:

- Plastic Sign Holder Pegs
- Packages of 9

PRICE:

\$19.80 per bag



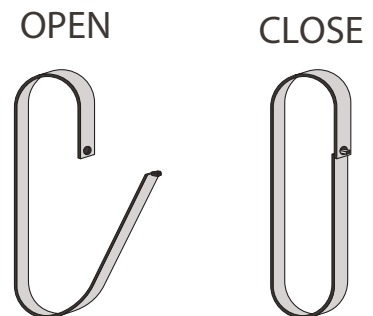
ITEM C7075

Rider Sign Hanger Clips

DESCRIPTION:

- 100% Stainless Steel Clips, For Hanging Name Rider Signs
- 36 clips per bag

PRICE: \$29.30 per bag



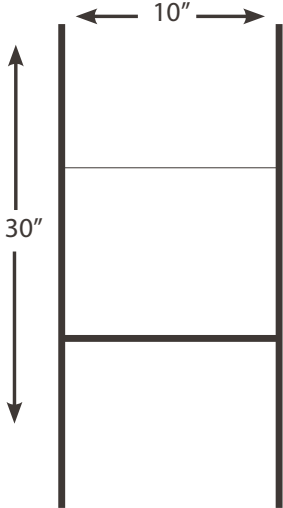
ITEM C8003

Quick-Up Coro Stakes

DESCRIPTION:

- 1/8" Galvanized Wire Stakes
(12 wire stakes per box)

PRICE: \$ 40.70 each
per box



ITEM C7080

Residential Steel Yard Frame

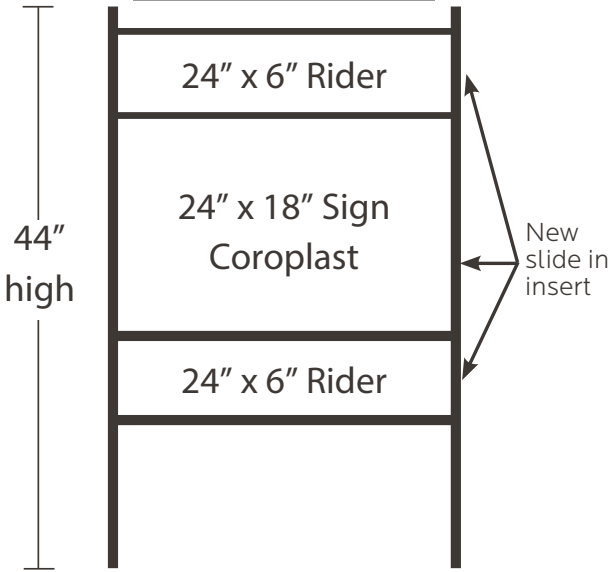
NEW DESIGN

NO INSTALLER NECESSARY

QUICK AND EASY TO INSTALL

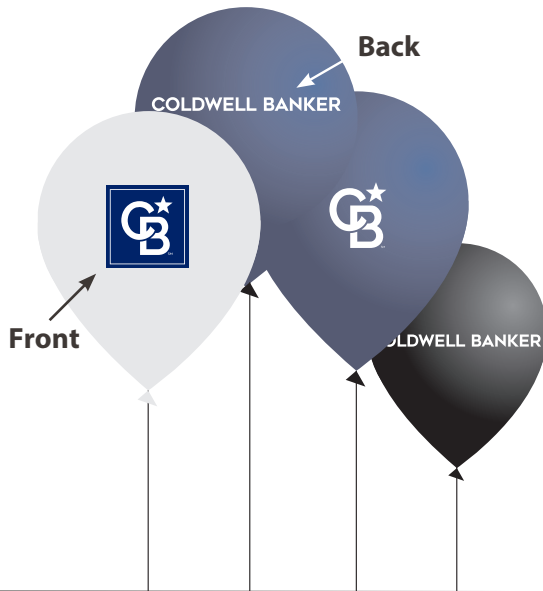
- Accomodates our 24" x 18" 4 mm Coroplast sign (Item #6005) and has special feature for holding sign riders 24" x 6"
- Black powder coat
- 3/4" Steel angle frame

QTY	4-20	24-100
PRICE	\$57.20 each frame	\$ 53.90 each frame



Promotion Products

ITEM C8015



Balloons

DESCRIPTION:

- Black or white 12" balloons with Century 21 logo printed 2 sides
- Helium quality pure latex

QTY	250	500	1000
PRICE	\$ 77.00	\$ 154.00	\$ 302.50

- Black Balloon, white writing
- White Balloon, black writing
- Black Balloon, gold writing
- Gold Balloon, black print

Umbrella

ITEM C8010

DESCRIPTION:

32" rib length, 64" arc

- Huge 64" umbrella
- 190T eight-panel polyester umbrella
- 14 mm black fiberglass shaft and 4 mm fiberglass ribs
- Black plastic top and metal tips
- Matching coloured PVC grip handle
- Manual open with hook fastener tie closure
- Wind proof
- Plenty of room two or three people

SP PP PS – 11" W x 10" H (panel)

PRICE: \$23.10 each



**NEW!
LARGER AND IMPROVED!**

Promotion Products

ITEM C8025

Zippered Legal Portfolio

DESCRIPTION:

- Koskin material
- Three-sided zipper closure
- Full-length outside zippered pocket
- Inside compartment for CD's and DVD's accordion pocket for files
- Inside zippered pocket

PRICE: \$30.70 each

- Left front pocket center (4"x 8")
- Top front pocket center (8"x 4")
- Left front pocket center (3"x 6")
- Top pocket center (6"x 3")



ITEM C8030

Ultrasonic Range Finder

Realtors convenient distance measuring tool

- Automatic conversion between imperial & metric units with the push of a single button
- Measuring range 0.3 - 15 m or 1 foot - 50 feet

PRICE: \$33.00 each



Promotion Products

ITEM C8035

Model A



Model B



Model C



Model D



Model E



Model F



Feather flag

DESCRIPTION:

- Made with polyester material
- Double sticked pole pocket
- Fits poles up to 3/4"
- Height: 86"
- Width: 28.5"
- Weight: 4 lbs.



Specify:

- MODEL A**
 MODEL B
 MODEL C
MODEL D
 MODEL E
 MODEL F

Feather Flag Kit includes

- 1 Feather Flag
- 1 Feather Flag with pole
- 1 Carrying Bag
- Printed 1 side

Yard Sign Printing Specifications:

Company Name: **COLDWELL BANKER**

A) DBA _____

B) Agent Name: _____

C) Agent Phone Number: _____

Forward photo in 300 DPI by Email to:
hcssigns@sympatico.ca

EXTRA

ITEM C8036

Feather Flag

Office Floor Base \$ 82.50 each



ITEM C8037

Feather Flag

Ground Stake \$ 42.90 each





1699 Station Road, Mascouche, QC J7L 2J6

T. 450 477-2828 | F. 450 477-6819 | hcssigns@sympatico.ca