

# HOME COLONIAL SIGNPOST

DIVISION OF ROBWOOD INC



## WE SHIP ACROSS CANADA



## CENTURY 21<sup>®</sup>

Approved Vendor

OUR NEW ILLUSTRATED CATALOGUE #12

T. 450 477-2828 | F. 450 477-6819 | [hcssigns@sympatico.ca](mailto:hcssigns@sympatico.ca)



Applicable to all of Canada except Ontario

Each CENTURY 21<sup>®</sup> Office is Independently Owned and Operated. <sup>®</sup> Registered trademark of Century 21 Real Estate LLC, used under license. TM Trademark of Century 21 Real Estate LLC, used under license.

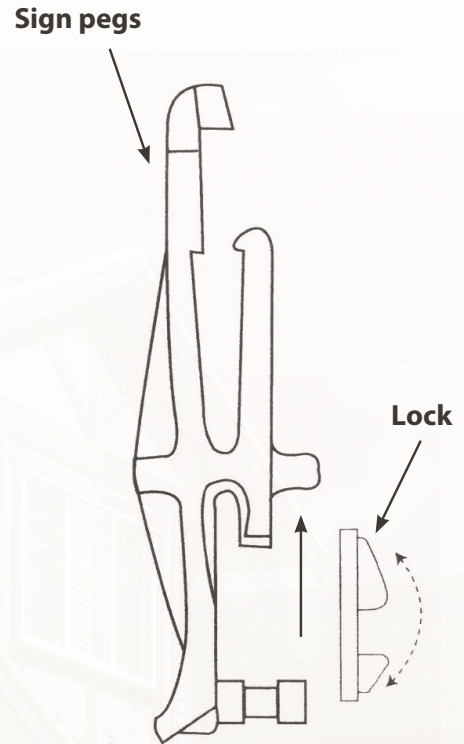
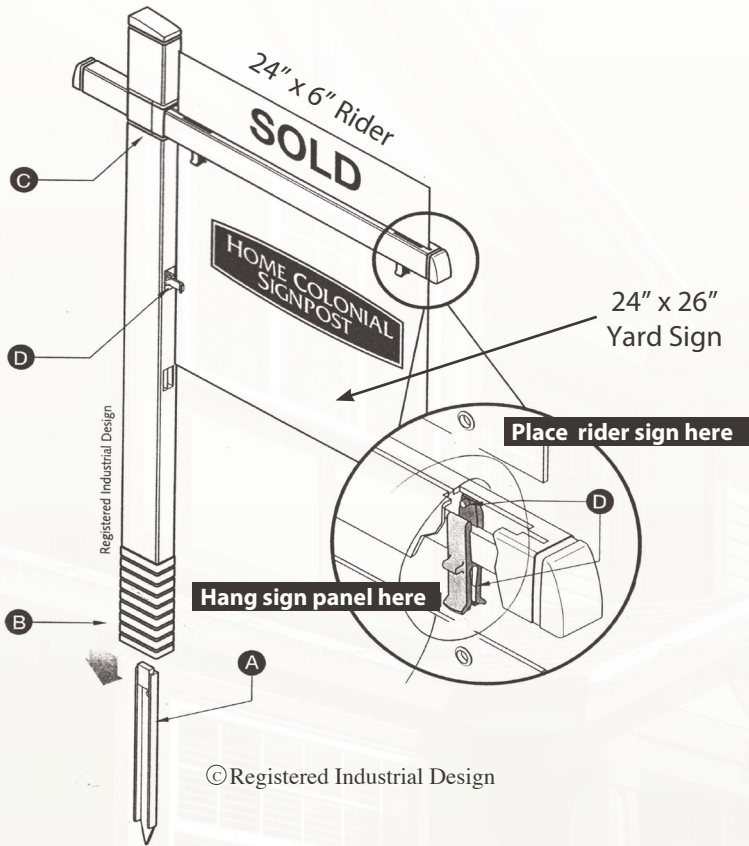
Applicable to Ontario only

Independently Owned and Operated. <sup>®</sup> Registered trademark of Century 21 Real Estate LLC, used under license. TM Trademark of Century 21 Real Estate LLC, used under license.



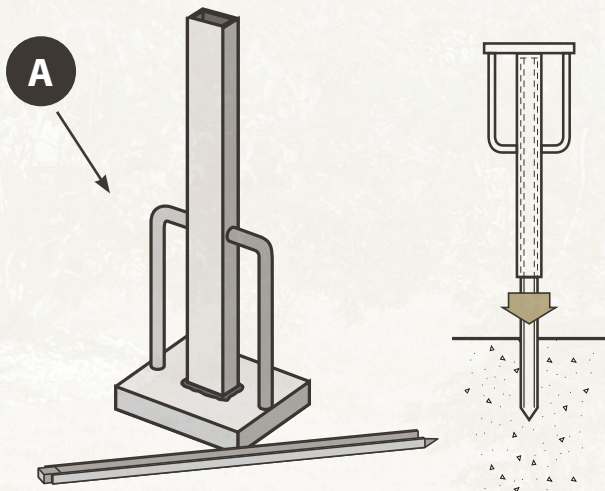
- ▶ How to install ..... 4
- ▶ Imagemaker sign post..... 5
- ▶ Residential Yard Signs 60” Post System ..... 6-7-8-9
- ▶ Residential 36” Yard Signs ..... 10-11-12
- ▶ Name Riders Personalize your Rider with a photo..... 13
- ▶ Complete Steel Frame Kit Special ..... 14
- ▶ Extra large Commercial Signs ..... 15
- ▶ Commercial Signs ..... 16-17-18
- ▶ Fine Homes and Estates ..... 19
- ▶ Sign Post kit ..... 20-21-22
- ▶ Sign Riders..... 23
- ▶ Sign Stickers ..... 24
- ▶ Open House Signs ..... 25-26
- ▶ Sign Accessories.....27-28
- ▶ Directional Sign ..... 29
- ▶ Quick-up Directional Signs ..... 30
- ▶ Sign Accessories..... 31-32
- ▶ Personal Promotional Products ..... 33-37
- ▶ Order Form ..... 38

## The Imagemaker Sign Post



(For hanging main sign panel beneath cross-arm, and, for attaching side of main sign panel to upright post to prevent swinging)

### QUICK'N EASY



- A** Pound stake into soil using a stake hammer (stop at the yellow line):
- B** Slide upright portion of post onto top of stake;
- C** Slide cross arm portion into upright until snap;
- D** Insert sign pegs in post and hang sign panel;
- E** Slide message rider sign into slot of cross arm;

« Snap Assembly » Sign Post System

**Main Post 60", Cross Arm 36"**

**ITEM #2005P**



Includes sign post assembly & ground stake.

- QTY: 3 Per Box**
- Model A = \$ 82.30 each post**
  - Model B = \$ 87.80 each post**
  - Model C = \$ 86.30 each post**

**Available in boxes of 3 only**

**Quick'n easy to install:**

- A) Pound stake into ground with stake hammer  
**Item #7095, page 30**
- B) Slide upright portion of post onto top of stake;
- C) Slide cross arm portion into upright until it snaps;
- D) Insert sign pegs in post until they clip, hang sign panel, and then slide rider sign into slot of cross arm.

**2 PRODUCT WARRANTY YEARS!\***

\*Your Imagemaker Signpost warranty covers all defects in materials and workmanship.

The following are not covered by the warranty:

- 1- **Units on which the manufacture date has been defaced, modified or removed.**
- 2- **Damage or deterioration resulting from:**
  - A- Installation or removal of the signpost
  - B- Accident, misuse, abuse, neglect, unauthorized product modification.
  - C- Installation of parts or accessories that do not conform to the quality or specification of the original sign post or accessories

**Please Photocopy  
AND ATTACH TO ORDER FORM**

## Yard Signs 60" Sign Post System

ITEM #6005

### Model A

**Logos**



← DBA

← B

### 24" x 18" - Corrugated Plastic Sign Panel - 4 mm

- Choose from two color schemes!
- 24" x 18" sign panel
- Printed 2 sides
- Imprinted with DBA, phone number and website
- Standard 5 grommets hole pattern

**Yard sign printing specifications:**

Sign model - A  B  C

5 grommets  or no grommets

To fit Steel Frames

### Model B

**Logos**



← DBA

← B

### DIGITAL PRINT

6 = \$ 25.00 each

12 = \$ 18.70 each

25 = \$ 18.20 each

**Same sign printed 1 side only**

Sign model - A  B  C

6 = \$ 21.55 each

12 = \$ 15.35 each

25 = \$ 14.70 each

### Model C

**Logos**



← DBA

← B

← C

← D

← E

A) Company Name: **CENTURY 21**

DBA \_\_\_\_\_

B) Agent Name: \_\_\_\_\_

C) Title: \_\_\_\_\_

D) Agent Website or Email Agent Name: \_\_\_\_\_

E) Agent Phone Number: \_\_\_\_\_

\* Note: For quality purpose, agent photos should be taken at the highest possible resolution, but no less than 5.5" x 5.5" at 300 dpi (dots per inch). Color photos can be used.

**Please Photocopy  
AND ATTACH TO ORDER FORM**

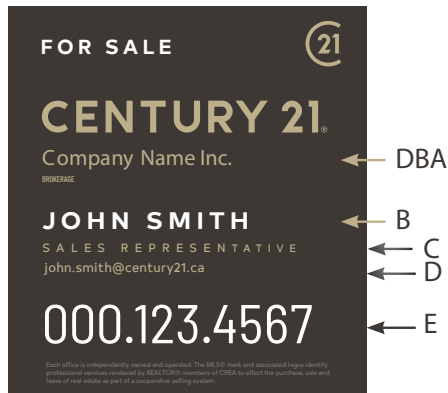
**Yard Signs 60" Sign Post System**

**ITEM #6010**

**Model A**



**Model B**



**Model C**



**24" x 26" Yard Sign With Associate Identifier**

**DIGITAL PRINT**

**DESCRIPTION:**

- Printed 2 sides
- 4 mm coroplast office identification sign Imprinted with DBA, Website and phone number
- White coroplast can be translucent in very bright areas

**Choose from three color schemes!**

**Logos**



Model A

Model B

Model C

Model D

Model E

- 6 = \$ 30.60 each
- 12 = \$ 24.35 each
- 25 = \$ 22.80 each

**Yard sign printing specifications:**

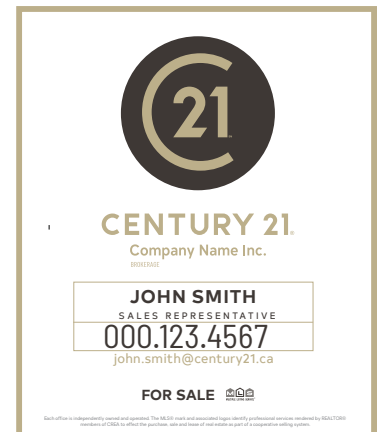
**3 grommets**  or **no grommets**

- A) Company Name: **CENTURY 21**  
DBA \_\_\_\_\_
- B) Agent Name: \_\_\_\_\_
- C) Title: \_\_\_\_\_
- D) Agent Website or Email: \_\_\_\_\_
- E) Agent Phone Number: \_\_\_\_\_

**Model D**



**Model E**



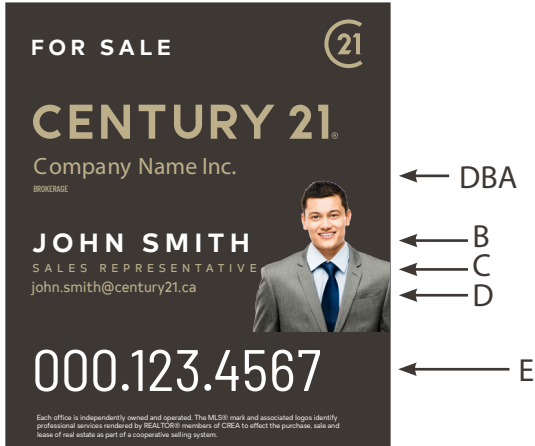
**Model D & E also available in kit form.**

**Please Photocopy  
AND ATTACH TO ORDER FORM**

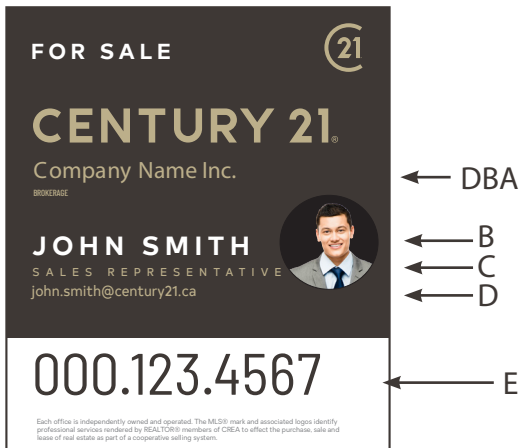
## Yard Signs 60" Sign Post System

**ITEM #6015**

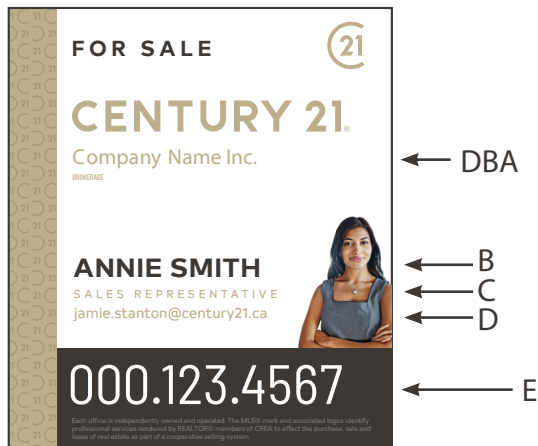
### Model A



### Model B



### Model C



### 24" x 26" - Yard Sign With Associate Identifier & Agent Photo

#### DIGITAL PRINT DESCRIPTION:

#### Yard sign printing specifications:

- 4 mm coroplast office identification sign
- Printed 2 sides

#### Choose from two photos schemes!

Logos  (MLS)

Model A  Model B  Model C  Model D

- 3 grommets (two (2) on top and one (1) on left side of sign)

6 = \$ 30.60 each

25 = \$ 22.80 each

12 = \$ 24.35 each

3 grommets  or no grommets

\* Note: For quality purpose, agent photos should be taken at the highest possible resolution, but no less than 5.5" x 5.5" at 300 dpi (dots per inch). Color photos can be used.

Photo on file  Sending photo by email

Forward photo in 300 DPI by Email to: [hcssigns@sympatico.ca](mailto:hcssigns@sympatico.ca)

Company Name: **CENTURY 21**

DBA \_\_\_\_\_

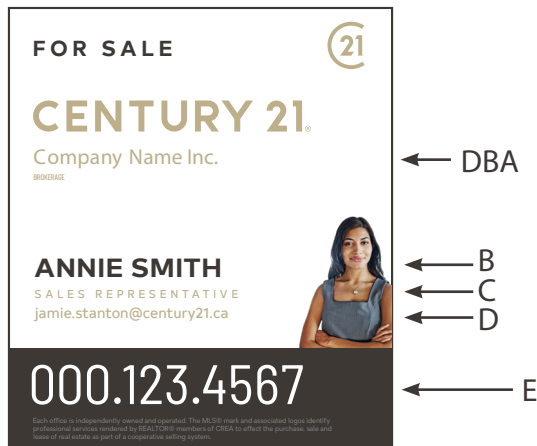
B) Agent Name: \_\_\_\_\_

C) Title: \_\_\_\_\_

D) Agent Website or Email Agent Name: \_\_\_\_\_

E) Agent Phone Number: \_\_\_\_\_

### Model D



Please Photocopy  
AND ATTACH TO ORDER FORM



## Yard Signs 60" Sign Post System

ITEM #6020

### Model A



### 24"x 26" - Yard Sign With Associate Identifier

**DESCRIPTION:**

- **Printed 1 side only**
- 4 mm coroplast office identification sign Imprinted with DBA, Website and phone number

**Choose from two color schemes!**

**Logos**



**DIGITAL PRINT**

Model A  Model B

- 15 = \$ 19.50 each
- 30 = \$ 18.80 each
- 50 = \$ 18.05 each

A) Company Name: **CENTURY 21**  
DBA \_\_\_\_\_

B) Agent Name: \_\_\_\_\_

C) Title: \_\_\_\_\_

D) Agent Website or Email Agent Name: \_\_\_\_\_

E) Agent Phone Number: \_\_\_\_\_

ITEM #6025

### Model B



### 24"x 26" Yard sign with associate identifier

**DESCRIPTION: DOUBLE**

- **2 coroplast signs back to back glued 4 corners**
- 4 mm coroplast office identification sign Imprinted with DBA, Website and phone number

**Choose from two color schemes!**

**Logos**



**DIGITAL PRINT**

Model A  Model B

- 5 = \$ 37.50 each
- 10 = \$ 36.60 each

A) Company Name: **CENTURY 21**  
DBA \_\_\_\_\_

B) Agent Name: \_\_\_\_\_

C) Title: \_\_\_\_\_

D) Agent Website or Email Agent Name: \_\_\_\_\_

E) Agent Phone Number: \_\_\_\_\_

Please Photocopy  
AND ATTACH TO ORDER FORM

## 36" Yard Signs

ITEM #6030

### Model A



### 36" x 32" Yard Sign with associate identifier

#### DESCRIPTION:

- **Printed 2 sides**

Choose from two color schemes!

Imprinted with DBA, Website and phone number

- 4 mm coroplast office & agent identification sign
- 4 grommets (2 on top and 2 on left side)

#### Logos



#### DIGITAL PRINT

Model A     Model B     Model A

5 = \$ 45.90 each

10 = \$ 45.10 each

15 = \$ 44.40 each

### Model B



A) Company Name: **CENTURY 21**

DBA \_\_\_\_\_

B) Agent Name: \_\_\_\_\_

C) Title: \_\_\_\_\_

D) Agent Website or Email: \_\_\_\_\_

E) Agent Phone Number: \_\_\_\_\_

\* The CENTURY 21 Policy and Procedures Manual requires that brokers use the CENTURY 21 Colonial Post Sign made to Franchise Identification System Specifications unless prohibited from doing so by the client or by law or local ordinance. Yard signs depicted in other formats are offered for your convenience and should only be used when it is not possible to use the Colonial Post Yard Sign.

**Please Photocopy  
AND ATTACH TO ORDER FORM**

## 36" Yard Signs

ITEM #6040

### Model A



### 36" x 24" - Yard Sign

#### DESCRIPTION:

- **Printed 2 sides**
- Imprinted with DBA, Website and phone number

#### Choose from two color schemes!

White coroplast can be translucent in very bright areas

#### Logos



Sign model - A  or B

- 4 mm coroplast office identification sign
- 5 grommets (two(2) on top, one (1) left and two (2) on bottom)

### Model B



### DIGITAL PRINT

- 6 = \$ 37.55 each
- 12 = \$ 34.65 each
- 25 = \$ 32.85 each
- 50 = \$ 32.10 each

#### Yard sign printing specifications:

5 grommets  or no grommets

A) Company Name: **CENTURY 21**

DBA \_\_\_\_\_

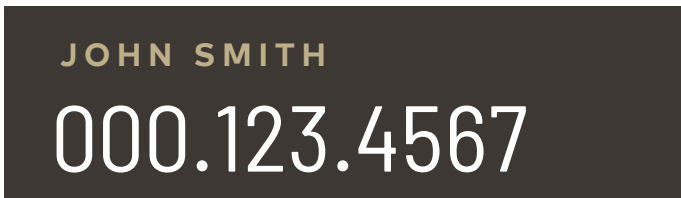
B) Office Phone Number: \_\_\_\_\_

Please Photocopy  
AND ATTACH TO ORDER FORM

## 36" Yard Signs

ITEM #6045

### Model A



### Model B



### Model C



### Model D



### 36" x 8" Name Rider

#### DIGITAL PRINT

##### Description:

• **Printed 2 sides**

- 4 mm coroplast agent identification sign
- 2 grommets (on top or bottom)

Sign model - A  or B  or C  or D

12 = \$ 14.65 each With photo 6" x 6"

25 = \$ 13.10 each

2 grommets Top  or Bottom

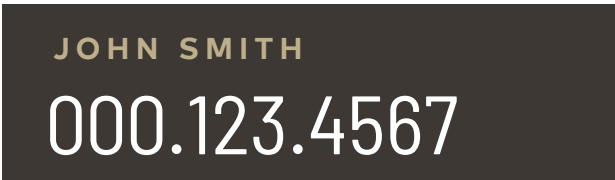
A) Agent Name: \_\_\_\_\_

C) Agent Phone Number: \_\_\_\_\_

## Personalize Your Rider With a Photo

ITEM #6085

### Model A



### Model B



### Model C



### Model D



\*Note: For quality purpose, agent photos should be taken at the highest possible resolution, but no less than 5.5" x 5.5" at 300 dpi (dots per inch). Color photos can be used.

Please E-mail photo to: [hcssigns@sympatico.ca](mailto:hcssigns@sympatico.ca)

Please Photocopy  
AND ATTACH TO ORDER FORM

### 24" x 6 - Agent Name Riders

#### DIGITAL PRINT

#### Description:

- Printed 2 sides
- 4 mm coroplast agent identification sign

Model A

12 = \$ 10.40 each

25 = \$ 8.80 each

#### 2 grommets:

Top  or Bottom

Center print for steel frames

### 24" x 8 - Agent Name Riders

#### Description:

- Printed 2 sides
- 4 mm coroplast agent identification sign

Model A  Model B  Model C  Model D

12 = \$ 11.75 each With photo 5.5" x 5.5"

25 = \$ 10.25 each

#### 2 grommets:

Top  or Bottom

#### Sign Printing specifications:

A) Agent Name: \_\_\_\_\_

C) Agent Phone Number: \_\_\_\_\_

Photo on file

Sending photo by email

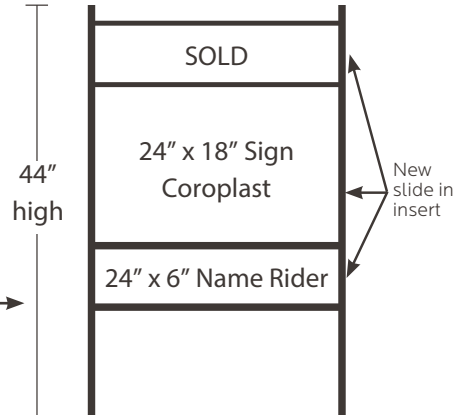
## Complete Steel Frame Kit

**ITEM #6075**

# SPECIAL

- (ITEM 6075) A) 8 STEEL FRAMES
- (ITEM 6005) B) 8 YARD SIGNS 24" x 18"
- (ITEM 6085) C) 8 NAME RIDERS 24" x 6"
- (ITEM 6090) D) 4 "NEW PRICE" 24" x 6"
- (ITEM 6090) E) 4 "OPEN SUNDAY 2 TO 4 P.M." 24" x 6"
- (ITEM 6090) F) 4 "SOLD" 24" x 6"

**Logos**



**Choose from two color schemes! DIGITAL PRINT**

**Model A**



**Model B**



**Model C**



Model A       Model B       Model C

A) Company Name: **CENTURY 21**  
 DBA \_\_\_\_\_  
 B) Office Phone number: \_\_\_\_\_

**NAME RIDER**

C) Agent Name: \_\_\_\_\_  
 D) Title: \_\_\_\_\_  
 E) Agent Phone Number: \_\_\_\_\_

Frame Item #7080 / see page 31

A value of \$ 830.10  
 for only **\$781.00**

\* The CENTURY 21 Policy and Procedures Manual requires that brokers use the CENTURY 21 Colonial Post Sign made to Franchise Identification System Specifications unless prohibited from doing so by the client or by law or local ordinance. Yard signs depicted in other formats are offered for your convenience and should only be used when it is not possible to use the Colonial Post Yard Sign.

**Please Photocopy  
 AND ATTACH TO ORDER FORM**

**Commercial Signs**

**ITEM #6070**

**Model A**



**Model B**



**60" x 48" Extra Large Yard Sign**

**LARGE, ONE SIDED COROPLAST SIGN IDEAL FOR INDUSTRIAL, COMMERCIAL BUILDINGS, OPEN LOTS, ACREAGE.**

**DIGITAL PRINT**

Ready to install on buildings, etc. Coroplast signs are inexpensive to ship and easy to install.

Signs should be supported with wooden frame (1" x 3" furring).

**DESCRIPTION:**

- Printed one sided
- 6 mm coroplast office identification sign.

**Model A**

**Model B**

1 = \$ 159.50 each

3 = \$ 157.00 each

6 = \$ 136.95 each

**YARD SIGN PRINTING SPECIFICATIONS:**

- A) Company Name: **CENTURY 21**  
DBA \_\_\_\_\_
- B) Website: \_\_\_\_\_
- C) Office Phone Number: \_\_\_\_\_
- D) Agent name: \_\_\_\_\_
- E) Title: \_\_\_\_\_
- F) Agent Phone Number: \_\_\_\_\_
- G) Agent Website or Email: \_\_\_\_\_

Your Sign Message: \_\_\_\_\_

\_\_\_\_\_

\_\_\_\_\_

\_\_\_\_\_

\_\_\_\_\_

\_\_\_\_\_

\_\_\_\_\_

\_\_\_\_\_

**Please Photocopy  
AND ATTACH TO ORDER FORM**

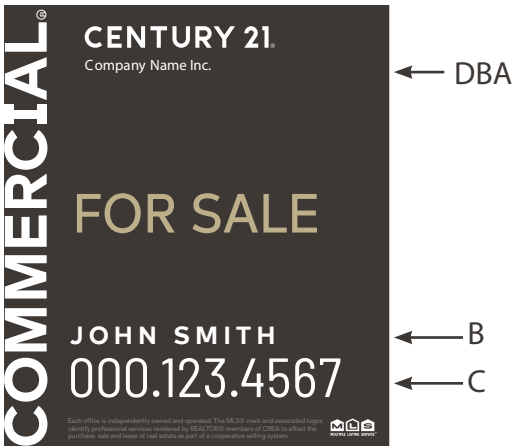
## Yard Signs 60" Sign Post System

ITEM #6060

### Model A



### Model B



## 24" x 26" - Commercial Yard Sign With Associate Identifier **DIGITAL PRINT**

### DESCRIPTION:

- Printed 2 sides
- 4 mm coroplast office identification sign
- Imprinted with DBA and phone number

Model A  Model B

3 = \$ 35.20 each

6 = \$ 30.60 each

12 = \$ 24.37 each

3 grommets  or no grommets

### Yard Sign Printing Specificaitons:

A) Company Name: **CENTURY 21**

DBA \_\_\_\_\_

B) Agent Name: \_\_\_\_\_

C) Agent Phone Number: \_\_\_\_\_

### Model A



## 24" x 8 -Message Riders **DIGITAL PRINT**

### Description:

2 grommets: Top  or Bottom

Model A

3 = \$ 21.18 each  6 = \$ 18.10 each  12 = \$15.00 each

Your Sign Message: \_\_\_\_\_

Please Photocopy  
AND ATTACH TO ORDER FORM



# Commercial Signs

ITEM #6065

## Model A



← DBA

← B

← C

## 48" x 48" - Large Yard Sign

**LARGE, PRINTED ON ONE SIDE COROPLAST SIGN IDEAL FOR INDUSTRIAL, COMMERCIAL BUILDINGS, OPEN LOTS AND ACREAGE.**

### DIGITAL PRINT

Ready to install on buildings, etc. Coroplast signs are inexpensive to ship and easy to install. Signs should be supported with wooden frame (1" x 3" furring).

#### DESCRIPTION:

- Printed 1 side only
- 6 mm coroplast office identification sign

## Model B



← DBA

← B

← C

## 48" x 48" - with upper message

Model A  Model B

1 = \$ 161.70 each

3 = \$ 146.30 each

5 = \$ 126.30 each

Your Sign Message: \_\_\_\_\_  
 \_\_\_\_\_  
 \_\_\_\_\_  
 \_\_\_\_\_

A) Company Name: **CENTURY 21**

DBA \_\_\_\_\_

B) Agent Name: \_\_\_\_\_

C) Agent Phone Number: \_\_\_\_\_

Please Photocopy  
AND ATTACH TO ORDER FORM

## Commercial Signs

ITEM #6072

### Model A



### Model B



## 60" x 48" Extra Large Yard Sign

**LARGE, ONE SIDED COROPLAST SIGN IDEAL FOR INDUSTRIAL, COMMERCIAL BUILDINGS, OPEN LOTS, ACREAGE.**

### DIGITAL PRINT

Ready to install on buildings, etc. Coroplast signs are inexpensive to ship and easy to install.

Signs should be supported with wooden frame (1" x 3" furring).

#### DESCRIPTION:

- Printed one sided
- 6 mm coroplast office identification sign.

Model A       Model B

2 = \$ 181.70 each

3 = \$ 167.85 each

6 = \$ 160.15 each

#### YARD SIGN PRINTING SPECIFICATIONS:

- A) Company Name: **CENTURY 21**
- DBA \_\_\_\_\_
- D) Agent name: \_\_\_\_\_
- F) Agent Phone Number: \_\_\_\_\_
- G) Agent Website or Email: \_\_\_\_\_

Your Sign Message: \_\_\_\_\_

\_\_\_\_\_

\_\_\_\_\_

\_\_\_\_\_

Please Photocopy  
AND ATTACH TO ORDER FORM

**Main Post 60", Cross Arm 36"**

ITEM #6050

**Model A**



**24" x 32" Fine Home & Estates Yard Sign**  
**DIGITAL PRINT**

**DESCRIPTION:**

- 4 mm coroplast office identification sign.
- Imprinted with DBA, Website and phone number

**Model A**

- 3 = \$ 38.30 each       4 grommets
- 6 = \$ 36.20 each       No grommets
- 12 = \$ 33.45 each

**Riders 24" x 8 - Die-Cut**

- 3 = \$ 23.10 each



ITEM #6055



**SPECIAL**

**COMPLETE FINE HOMES & ESTATES SIGN POST KIT**  
**DIGITAL PRINT**

**DESCRIPTION:**

- A) 3 IMAGE MAKER 60" BLACK SIGN POSTS complete with ground stakes & 3 extra pegs
- B) 3 Yard signs (24" x 32")
- C) 3 Personalized riders with photo



**Forward photo in 300 DPI by e-mail to : [hcssigns@sympatico.ca](mailto:hcssigns@sympatico.ca)**

- Photo on file       Sending photo by email

**Logos**



Company Name: **CENTURY 21**

- A) DBA \_\_\_\_\_
- B) Agent name: \_\_\_\_\_
- C) Agent Phone Number: \_\_\_\_\_
- D) Agent Website or Email: \_\_\_\_\_

Please Photocopy  
AND ATTACH TO ORDER FORM

## 60" Sign post system

CENTURY 21

ITEM #9000

# SPECIAL

## COMPLETE SIGN POST KIT

### Model A **DIGITAL PRINT**

#### DESCRIPTION:

- A) 6 IMAGE MAKER 60" SIGN POSTS  
complete with ground stakes & pegs
- B) 6 Yard signs (24" x 26") with associated identifier
- C) 12 Message riders (24" x 6")
  - 3 "NEW PRICE"
  - 3 "Open Sunday 2 to 4 p.m."
  - 3 "JUST LISTED"
  - 3 "SOLD"

- Photo on file\*
- Sending photo by email\*

#### Logos



Company Name: **CENTURY 21**

- A) DBA \_\_\_\_\_
- B) Agent name: \_\_\_\_\_
- C) Title: \_\_\_\_\_
- D) Agent Phone Number: \_\_\_\_\_
- E) Agent Email: \_\_\_\_\_
- F) Agent Website: \_\_\_\_\_

\* Note: For quality purpose, agent photos should be taken at the highest possible resolution, but no less than 5.5" x 5.5" at 300 dpi (dots per inch). Color photos can be used.

Please E-mail photo to: [hcssigns@sympatico.ca](mailto:hcssigns@sympatico.ca)



A value of \$ 764.90  
for only **\$714.50**

\* The CENTURY 21 Policy and Procedures Manual requires that brokers use the CENTURY 21 Colonial Post Sign made to Franchise Identification System Specifications unless prohibited from doing so by the client or by law or local ordinance. Yard signs depicted in other formats are offered for your convenience and should only be used when it is not possible to use the Colonial Post Yard Sign.

Please Photocopy  
AND ATTACH TO ORDER FORM

## 60" Sign post system

# SPECIAL

## COMPLETE SIGN POST KIT

### Model B **DIGITAL PRINT**

#### DESCRIPTION:

- A) 6 IMAGE MAKER 60" SIGN POSTS  
complete with ground stakes & pegs
- B) 6 Yard signs (24" x 26") with associated identifier
- C) 12 Message riders (24" x 6")
  - 3 "NEW PRICE"
  - 3 "Open Sunday 2 to 4 p.m."
  - 3 "JUST LISTED"
  - 3 "SOLD"

Photo on file\*     Sending photo by email\*

#### Logos



Company Name: **CENTURY 21**

- A) DBA \_\_\_\_\_
- B) Agent name: \_\_\_\_\_
- C) Title: \_\_\_\_\_
- D) Agent Phone Number: \_\_\_\_\_
- E) Agent Email: \_\_\_\_\_
- F) Agent Website: \_\_\_\_\_

\* Note: For quality purpose, agent photos should be taken at the highest possible resolution, but no less than 5.5" x 5.5" at 300 dpi (dots per inch). Color photos can be used.

Please E-mail photo to: [hcssigns@sympatico.ca](mailto:hcssigns@sympatico.ca)

ITEM #9000



A value of \$ 797.90  
for only **\$753.00**

\* The CENTURY 21 Policy and Procedures Manual requires that brokers use the CENTURY 21 Colonial Post Sign made to Franchise Identification System Specifications unless prohibited from doing so by the client or by law or local ordinance. Yard signs depicted in other formats are offered for your convenience and should only be used when it is not possible to use the Colonial Post Yard Sign.

Please Photocopy  
AND ATTACH TO ORDER FORM

## 60" Sign post system

ITEM #9000



A value of \$ 784.40  
for only **\$ 736.50**

# SPECIAL

## COMPLETE SIGN POST KIT

**Model C DIGITAL PRINT**

### DESCRIPTION:

- A) 6 IMAGE MAKER 60" SIGN POSTS  
complete with ground stakes & pegs
- B) 6 Yard signs (24" x 26") with associated identifier
- C) 12 Message riders (24" x 6")
  - 3 "NEW PRICE"
  - 3 "Open Sunday 2 to 4 p.m."
  - 3 "JUST LISTED"
  - 3 "SOLD"

- Photo on file\*       Sending photo by email\*

### Logos



Company Name: **CENTURY 21**

- A) DBA \_\_\_\_\_
- B) Agent name: \_\_\_\_\_
- C) Title: \_\_\_\_\_
- D) Agent Phone Number: \_\_\_\_\_
- E) Agent Email: \_\_\_\_\_
- F) Agent Website: \_\_\_\_\_

\* Note: For quality purpose, agent photos should be taken at the highest possible resolution, but no less than 5.5" x 5.5" at 300 dpi (dots per inch). Color photos can be used.

Please E-mail photo to: [hcssigns@sympatico.ca](mailto:hcssigns@sympatico.ca)

\* The CENTURY 21 Policy and Procedures Manual requires that brokers use the CENTURY 21 Colonial Post Sign made to Franchise Identification System Specifications unless prohibited from doing so by the client or by law or local ordinance. Yard signs depicted in other formats are offered for your convenience and should only be used when it is not possible to use the Colonial Post Yard Sign.

Please Photocopy  
AND ATTACH TO ORDER FORM

ITEM #6090

Model A

**FOR SALE**

Model B

**OPEN HOUSE**

Model C

**SOLD**

Model D

**SOLD**

**Special Features And Activities** **SILK SCREEN PRINT**

**DESCRIPTION:**

- Printed 2 sides
- 4 mm coroplast sign riders.

White coroplast can be translucent in very bright areas

**NOTE:** Minimum of 12 signs, **no mixing.**

Model A  Model B  Model C  Model D

Sign no. \_\_\_\_\_ Quantity \_\_\_\_\_

Description \_\_\_\_\_

Sign size: 24" x 6"  36" x 8"

**• 2 grommets:**

- Top  Bottom  Center print for steel frames

24" x 6"

100 = \$ 4.85 each

50 = \$ 5.55 each

25 = \$ 6.60 each

12 = \$ 7.25 each

36" x 8"

100 = \$ 6.15 each

50 = \$ 6.80 each

25 = \$ 7.40 each

12 = \$ 8.70 each

7 0 0	<b>COMMERCIAL</b>	7 1 2	<b>OPEN</b>	7 2 3	<b>OPEN HOUSE</b>	7 3 8	<b>OPEN SUNDAY 2-4</b>	7 5 1	<b>MUST SEE INSIDE!</b>
7 0 1	<b>OFFICE</b>	7 1 3	<b>AUCTION</b>	7 2 4	<b>FOR LEASE</b>	7 4 0	<b>MODEL OPEN</b>	7 5 2	<b>NEW PRICE!</b>
7 0 2	<b>3 BEDROOM</b>	7 1 4		7 2 7	<b>LOT</b>	7 4 1	<b>FARM</b>	7 5 3	<b>OPEN SUNDAY 1-3</b>
7 0 5	<b>LAKEFRONT</b>	7 1 5	<b>OPEN SUNDAY 1-4</b>	7 2 8	<b>SALE PENDING</b>	7 4 2	<b>OPEN SATURDAY</b>	7 5 4	<b>OPEN SAT. ____ TO ____</b>
7 0 6	<b>SWIMMING POOL</b>	7 1 6	<b>FOR SALE</b>	7 2 9	<b>RENTALS</b>	7 4 3	<b>OPEN SUNDAY</b>	7 5 6	<b>LAKE RIGHTS</b>
7 0 7	<b>BY APPT. ONLY</b>	7 1 7	<b>OWNER FINANCE</b>	7 3 0	<b>WATERFRONT</b>	7 4 4	<b>SOLD</b> BUT WE HAVE OTHERS	7 5 7	<b>LOT # _____</b>
7 0 8	<b>SOLD</b>	7 1 8	<b>EXCLUSIVE</b>	7 3 1	<b>INCOME PROPERTY</b>	7 4 5	<b>ACREAGE</b>	7 5 8	<b>NEW LISTING</b>
7 0 9	<b>2 FAMILY</b>	7 1 9	<b>LOTS</b>	7 3 2	<b>OPEN HOUSE</b>	7 4 8	<b>DUPLEX</b>	7 5 9	<b>IN CONTRACT</b>
7 1 0	<b>4 BEDROOM</b>	7 2 0	<b>PRICE REDUCED</b>	7 3 3	<b>FOR RENT</b>	7 4 9	<b>HOME FOR SALE</b>	7 6 0	<b>MULTI-FAMILY</b>
7 1 1	<b>_____ ACRES</b>	7 2 2	<b>AVAILABLE</b>	7 3 5	<b>BUILT TO SUIT</b>	7 5 0	<b>HOME WARRANTY</b>	7 6 1	<b>CONDO</b>

**FAX US YOUR PRINT AND SIZE FOR A PRICE QUOTE**

**ITEM #6095**

**CUSTOM VINYL GRAPHIC STICKERS**

Black sticker, white lettering      Size of Sticker: \_\_\_\_\_

White sticker, black lettering

Transparent sticker, white or black lettering

Message print: \_\_\_\_\_  
 \_\_\_\_\_  
 \_\_\_\_\_  
 \_\_\_\_\_

**ITEM #7000**

**WHITE OR BLACK STICKERS WITH BLACK OR WHITE LETTERING**

SIZE	QUANTITY			
	15	25	50	100
<input type="checkbox"/> 15" X 3"	\$4.85 each	\$3.65 each	\$3.25 each	\$2.20 each
<input type="checkbox"/> 21" X 3"	\$5.45 each	\$4.15 each	\$3.75 each	\$3.15 each

Message print: \_\_\_\_\_

**ITEM #7005**

**TRANSPARENT STICKERS WITH WHITE OR BLACK LETTERING**

SIZE	QUANTITY			
	15	25	50	100
<input type="checkbox"/> 15" X 4"	\$5.65 each	\$4.15 each	\$3.65 each	\$2.90 each

Message print: \_\_\_\_\_

**ITEM #7010**

**EXTRA LARGE PERSONALIZED STICKERS**

SIZE	QUANTITY	
	15	25
<input type="checkbox"/> 24" X 7.5"	\$8.50 each	\$10.70 each

Message print: \_\_\_\_\_

**Please Photocopy  
AND ATTACH TO ORDER FORM**



ITEM #7015

## Model A



## 24" x 18" Open House Signs

### DIGITAL PRINT

#### DESCRIPTION:

- Printed 1 side only
  - 4 mm coroplast sign
- White coroplast can be translucent in very bright areas

Minimum order = 12

#### Specify:

#### MODEL A

FOR SALE → QTY: \_\_\_\_  ← QTY: \_\_\_\_

OPEN HOUSE → QTY: \_\_\_\_  ← QTY: \_\_\_\_

12 = \$ 15.35 each       50 = \$ 13.95 each

24 = \$ 14.70 each

#### Yard Sign Printing Specifications:

A) Company Name: **CENTURY 21**

DBA \_\_\_\_\_

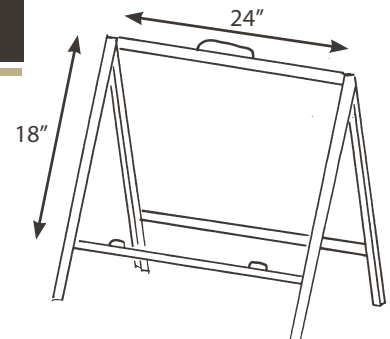
B) Agent name: \_\_\_\_\_

C) Agent Phone Number: \_\_\_\_\_

D) Agent website or Email: \_\_\_\_\_

ITEM #7070

page 27



Please Photocopy  
AND ATTACH TO ORDER FORM

**ITEM #7015**

**Model B**



**24" x 18" Open House Signs**  
**DIGITAL PRINT**

**DESCRIPTION:**

- Printed 1 side only
- 4 mm coroplast sign
- White coroplast can be translucent in very bright areas

**Minimum order = 12**

**Specify:**

**MODEL B**

FOR SALE → QTY: \_\_\_\_\_  ← QTY: \_\_\_\_\_

OPEN HOUSE → QTY: \_\_\_\_\_  ← QTY: \_\_\_\_\_

12 = \$ 15.35 each       50 = \$ 13.95 each

24 = \$ 14.70 each

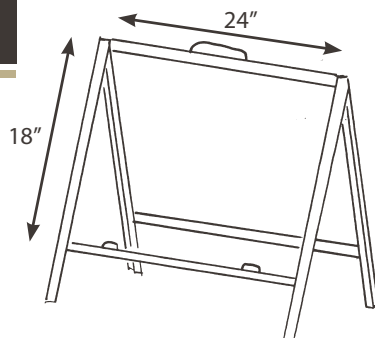


**Yard Sign Printing Specifications:**

- A) Company Name: **CENTURY 21**
- DBA \_\_\_\_\_
- B) Agent name: \_\_\_\_\_
- C) Agent Phone Number: \_\_\_\_\_
- D) Agent website or Email: \_\_\_\_\_

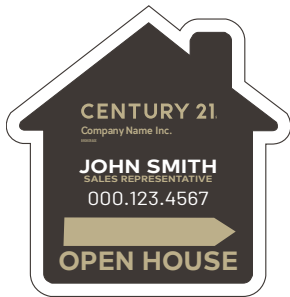
**ITEM #7070**

page 31



Please Photocopy  
AND ATTACH TO ORDER FORM

**ITEM #7051**



**Little House die-cut sign  
18" X 18" Directional sign with step stake**

DESCRIPTION: **DIGITAL PRINT**

- Printed
- 2 X 4 mm coroplast signs glued back to back
- Includes step stake, nuts and bolts
- Weight: 4.75 pounds each

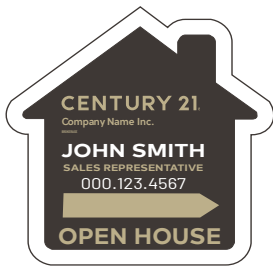
**SIGN PRINTING SPECIFICATIONS:**

- A) Company Name: **CENTURY 21**  
DBA \_\_\_\_\_
- B) Agent name: \_\_\_\_\_
- C) Title: \_\_\_\_\_
- D) Agent Phone Number: \_\_\_\_\_

Specify: **OPEN HOUSE**  **FOR SALE**

- 10 = \$ 38.50 each
- 15 = \$ 36.85 each
- 25 = \$ 35.20 each

**ITEM #7052**



20 = \$ 12.90 each  
**Minimum order  
10 per direction**

**Single sided directional signs**

**DESCRIPTION:**

- 1 X 4 mm coroplast sign
- Printed 1 side only

**SIGN PRINTING SPECIFICATIONS:**

- A) Company Name: **CENTURY 21**  
DBA \_\_\_\_\_
- B) Agent name: \_\_\_\_\_
- C) Title: \_\_\_\_\_
- D) Agent Phone Number: \_\_\_\_\_

Indicate direction of arrow:

Arrow right QTY: \_\_\_\_\_

Arrow left QTY: \_\_\_\_\_

Specify: **OPEN HOUSE**  **FOR SALE**

Please Photocopy  
AND ATTACH TO ORDER FORM

## and Stakes

ITEM #7035

### Model A



### Model B



- 10 = \$ 30.80 each
- 15 = \$ 29.70 each
- 25 = \$ 28.60 each



## 24" x 12" - Directional Sign With Step Stake

DESCRIPTION: **DIGITAL PRINT**

- 2 X 4 mm coroplast signs glued back to back
- Includes step stake, nuts and bolts
- Imprinted with DBA and Agent identifier
- Weight: 4.75 lbs each

Choose from two color schemes!

Model A  Model B

Specify: OPEN HOUSE  FOR SALE   
AGENT PHOTO  ADDRESS

### SIGN PRINTING SPECIFICATIONS:

- A) Company Name: **CENTURY 21**  
DBA \_\_\_\_\_
- B) Agent Name: \_\_\_\_\_
- C) Title: \_\_\_\_\_

ITEM #7040

### Model A



### Model B



- 20 = \$ 10.00 each
- 30 = \$ 9.35 each
- 50 = \$ 8.80 each

## 24" x 12" - Single Sided Directional Sign

DESCRIPTION: **DIGITAL PRINT**

- 1 X .150" coroplast sign
- Printed one side only
- Imprinted with DBA and Agent identifier

Choose from two color schemes!

Model A  Model B

Specify: OPEN HOUSE  FOR SALE

Indicate direction of arrow:

Arrow Right QTY: \_\_\_\_\_

Arrow Left QTY: \_\_\_\_\_

- A) Company Name: **CENTURY 21**  
DBA \_\_\_\_\_
- B) Agent Name: \_\_\_\_\_
- C) Title: \_\_\_\_\_

Please Photocopy  
AND ATTACH TO ORDER FORM

**ITEM #7025**



**Model A**



**Model B**



- 10 = \$ 29.70 each
- 15 = \$ 29.15 each
- 25 = \$ 27.50 each

**24" x 8" Directional Sign With Step Stake**

**DESCRIPTION: DIGITAL PRINT**

- 2 X 4 mm coroplast signs glued back to back
- Printed one side only
- Includes step stake, nuts and bolts
- Weight: 3.75 lbs each

**Choose from two color schemes!**

White coroplast can be translucent in very bright areas

**Model: A**  **B**

**Specify: OPEN HOUSE**  **FOR SALE**

**SIGN PRINTING SPECIFICATIONS:**

- A) Company Name: **CENTURY 21**  
DBA \_\_\_\_\_
- B) Agent name: \_\_\_\_\_
- C) Agent Phone Number: \_\_\_\_\_

**ITEM #7030**

**Model A**



**Model B**



- 20 = \$ 7.70 each
- 30 = \$ 7.45 each
- 50 = \$ 7.35 each

**No mixing**

**\* SAME SIGN PRINTED 2 SIDES:**

- 10 = \$ 15.30 each
- 15 = \$ 13.90 each
- 25 = \$ 13.10 each

**24" x 8" Directional sign**

**DESCRIPTION: DIGITAL PRINT**

- 4 mm coroplast sign
- Printed one side only

**SIGN PRINTING SPECIFICATIONS:**

- A) Company Name: **CENTURY 21**  
DBA \_\_\_\_\_
- B) Agent name: \_\_\_\_\_
- C) Agent Phone Number: \_\_\_\_\_

B) Specify: Minimum 10 each direction

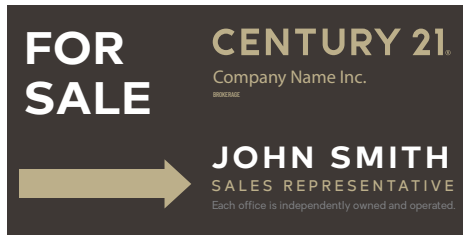
**Model: A** OPEN HOUSE  QTY: \_\_\_\_\_  QTY: \_\_\_\_\_

**Model: B** FOR SALE  QTY: \_\_\_\_\_  QTY: \_\_\_\_\_

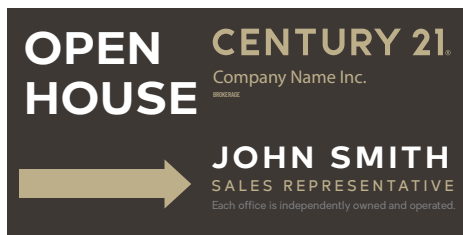
Please Photocopy  
AND ATTACH TO ORDER FORM

ITEM #7055

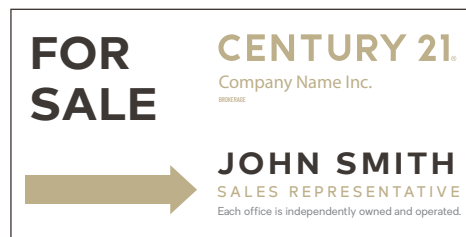
### Model A



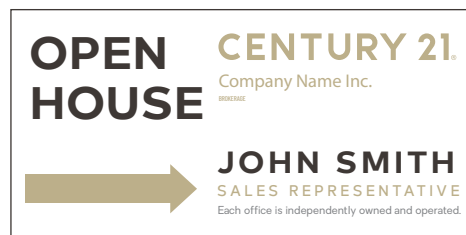
### Model B



### Model C



### Model D



## 24" X 12" Directional sign with wire stakes

DESCRIPTION: **DIGITAL PRINT**

- Printed 2 sides
- With 30" galvanized wire stakes
- Use these lightweight, moisture proof, 4 mm corrugated plastic signs where cost is a factor. They will fit our H-Frame Wire Stake (sold separately). Signs are available with vertical flutes only and are printed on both sides. Personalized at no extra charge
- Weight: 4.75 pounds each

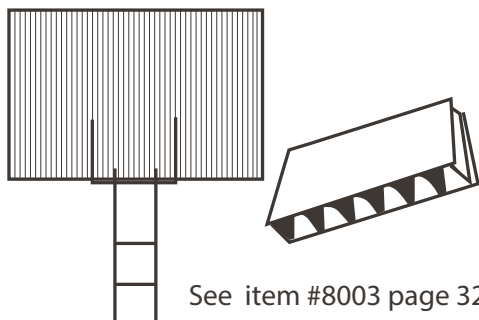
### YARD SIGN PRINTING SPECIFICATIONS:

- A) Company Name: **CENTURY 21**
- B) DBA: \_\_\_\_\_
- C) Title: \_\_\_\_\_
- D) Agent name: \_\_\_\_\_
- E) Agent Phone Number: \_\_\_\_\_

Specify: **OPEN HOUSE**  or **FOR SALE**

**Model A**  **Model B**  **Model C**  **Model D**

- 12 Directional signs & stakes = \$ 20.20 each
- 24 Directional signs & stakes = \$ 19.55 each
- 36 Directional signs & stakes = \$ 18.60 each



See item #8003 page 32

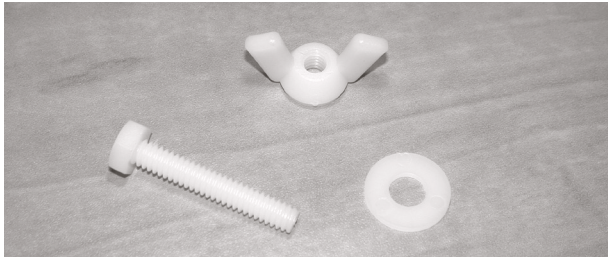
### Galvanized Wire Stake

- 10" X 30" galvanized stake
- 1/8" Wire construction
- For use with 4mm Corrugated sign panels
- Affordable and easy to use

**PLEASE PHOTOCOPY  
AND ATTACH TO ORDER FORM**

**ITEM #7060**

**Step Stake Nuts And Bolts**



**1 Bag =**  
10 bolts  
10 wing nuts  
20 washers

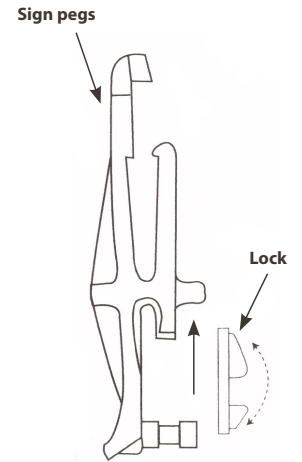
**PRICE: \$4.70 each bag**

**ITEM #7065**

**Sign Pegs**

**DESCRIPTION:**

- Plastic Sign Holder Pegs
- Packages of 9

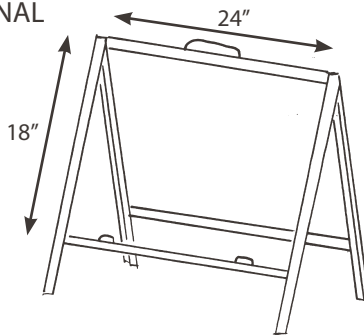


**PRICE: \$19.80 per bag**

**ITEM #7070**

**A-Frame or Tent Frame**

**DESCRIPTION:** Powder coated For OPEN HOUSE, FOR SALE and DIRECTIONAL



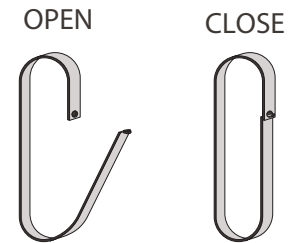
**PRICE:** Available only in boxes of 4: **\$ 42.90each frame**

**ITEM #7075**

**Rider Sign Hanger Clips**

**DESCRIPTION:**

- 100% Stainless Steel Clips, For Hanging Name Rider Signs
- 36 clips per bag



**PRICE: \$29.30 per bag**

**ITEM #7080**

**Residential Steel Yard Frame**

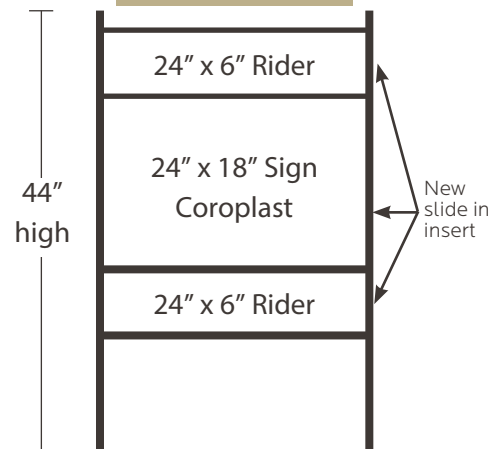
**NO INSTALLER NECESSARY**

**QUICK AND EASY TO INSTALL**

- Accomodates our 24" x 18" 4 mm Coroplast sign (Item #6005) and has special feature for holding sign riders 24" x 6"
- Black powder coat
- 3/4" Steel angle frame

QTY	4-20	24-100
PRICE	<b>\$57.20</b> each frame	<b>\$ 53.90</b> each frame

**NEW DESIGN**



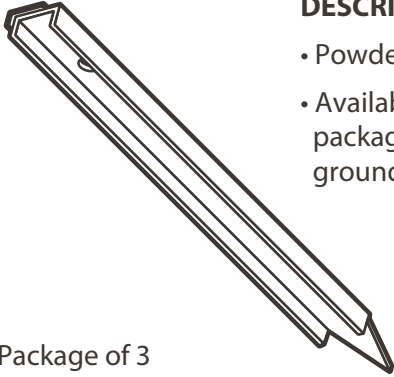
Please Photocopy  
AND ATTACH TO ORDER FORM

## ITEM #7085

### Extra Yard Sign Ground Stakes

**DESCRIPTION:**

- Powder coated
- Available only in a packages of 3 ground stakes



Package of 3

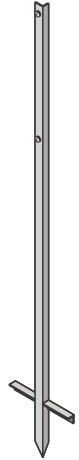
**PRICE: \$38.70 per package**

## ITEM #7090

### Step Stakes

**DESCRIPTION:**

- Step Stake 48"
- Weight: 2.75 lbs each
- (minimum order of 5)
- Includes nylon nuts, bolts and washers
- Powder coated



5 per box

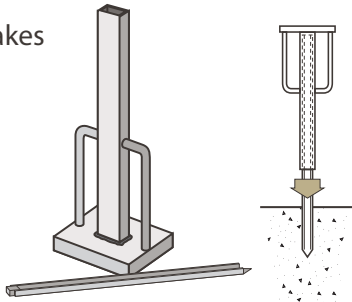
**PRICE: \$74.25 per box**

## ITEM #7095

### Stake Hammer

**DESCRIPTION:**

- For installing sign stakes
- Avoid flaring top of steel stakes
- Weight: 15 lbs.
- Powder coated



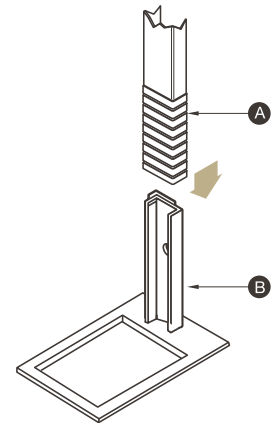
**PRICE: \$ 52.80 each**

## ITEM #8000

### Portable Display Base

**DESCRIPTION:**

- Office sign and post display
- To be used for display or office special events.
- Powder coated



**PRICE: \$51.20 each**

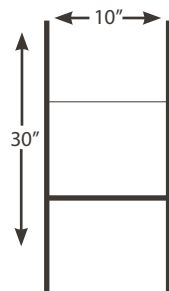
## ITEM #8003

### Quick-Up Coro Stakes

**DESCRIPTION:**

- 1/8" Galvanized Wire Stakes
- (12 wire stakes per box)

**PRICE: \$ 40.70 each**  
per box





**Promotion Products**

**Pins**

**D= 30mm = 1.25"**

**ITEM #8005**

**DESCRIPTION:**

- Black background with gold logo
- Anti-swivel bracket

QTY	10-100	101-500
PRICE	<b>\$ 2.50</b>	<b>\$ 2.20</b>

**Front**



**Back**



**Umbrella**

**ITEM #8010**

**DESCRIPTION:**

32" rib length, 64" arc

- Huge 64" umbrella
- 190T eight-panel polyester umbrella
- 14 mm black fiberglass shaft and 4 mm fiberglass ribs
- Black plastic top and metal tips
- Matching coloured PVC grip handle
- Manual open with hook fastener tie closure
- Wind proof
- Plenty of room two or three people

SP PP PS – 11" W x 10" H (panel)

**PRICE: \$23.10 each**

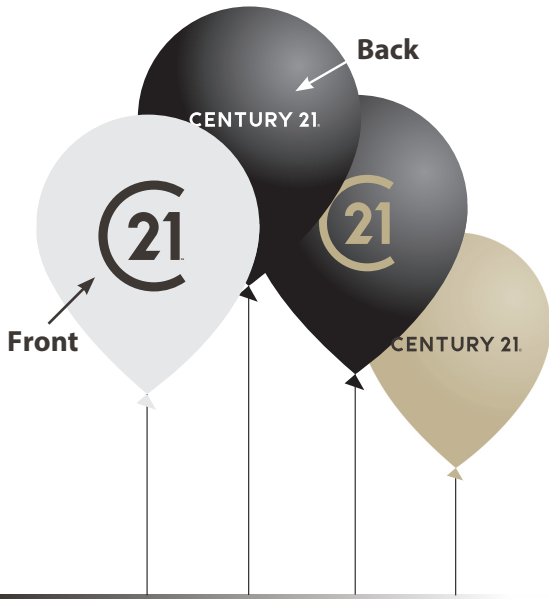


**NEW!  
LARGER AND IMPROVED!**

Please Photocopy  
AND ATTACH TO ORDER FORM

**Promotion Products**

**ITEM #8015**



**Balloons**

**DESCRIPTION:**

- Black or white 12" balloons with Century 21 logo printed 2 sides
- Helium quality pure latex

QTY	250	500	1000
PRICE	\$ 77.00	\$ 154.00	\$ 303.00

- Black Balloon, white writting
- White Balloon, black writting
- Black Balloon, gold writting
- Gold Balloon, black print

**ITEM #8020**



**Teddy Bear**

**DESCRIPTION:**

- High quality stuffed bear wearing a black t-shirt with imprint of Century 21 logo

SIZE: 8" x 11"

**PRICE: \$16.50 each**

Please Photocopy  
AND ATTACH TO ORDER FORM

**Promotion Products**

**ITEM #8025**

**Zippered Legal Portfolio**

**DESCRIPTION:**

- Koskin material
- Three-sided zipper closure
- Full-length outside zippered pocket
- Inside compartment for CD's and DVD's accordion pocket for files
- Inside zippered pocket
- Century 21 gold logo

**PRICE: \$30.70 each**

- Left front pocket center (4"x 8")
- Top front pocket center (8"x 4")
- Left front pocket center (3"x 6")
- Top pocket center (6"x 3")



**Ultrasonic Range Finder**

**Realtors convenient distance measuring tool**

- Automatic conversion between imperial & metric units with the push of a single button
- Measuring range 0.3 - 15 m or 1 foot - 50 feet

**PRICE: \$33.00 each**

**ITEM #8030**



Please Photocopy  
AND ATTACH TO ORDER FORM

## Promotion Products

ITEM #8040



### Desktop signs Colonial Post Business card holder\*

**DESCRIPTION:**

- The best business card holder you will ever have!
- Sturdy colonial post mounted on a PVC base
- Great for open houses, incentives, rewards or gifts
- Each unit comes complete with both "Sold" top rider and "Vendu" top rider

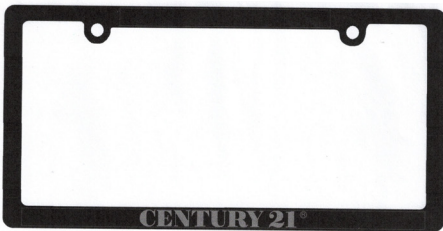
SIZE: 12" high x 8" wide

**PRICE: \$8.00 each**

\* Until depletion of stock, all items will be sold with the slogan «The Local Experts»™.  
– New CENTURY 21 slogan will be Connected to More»™.

**REDUCED PRICE WHILE QUANTITIES LAST**

ITEM #8045



### Licence Plate Frames\*

**DESCRIPTION:**

- Black PVC frames with gold print
- Top print: "Connected to More"™\*
- Bottom print: "CENTURY 21"

**PRICE: \$2.20 each**

\* Until depletion of stock, all items will be sold with the slogan «The Local Experts»™.  
– New CENTURY 21 slogan will be Connected to More»™.

Please Photocopy  
AND ATTACH TO ORDER FORM

**Promotion Products**

**ITEM #8035**

**Model A**



**Model B**



**Model C**



**Model D**



**Model E**



**Model F**



**Feather flag**

**DESCRIPTION:**

- Made with polyester material
- Double stucked pole pocket
- Fits poles up to 3/4"
- Height: 86"
- Widht: 28.5"
- Weight: 4 lbs.



**Specify:**

- MODEL A**    
 **MODEL B**    
 **MODEL C**   
**MODEL D**    
 **MODEL E**    
 **MODEL F**

**Feather Flag Kit includes**

- 1 Feather Flag
- 1 Feather Flag with pole
- 1 Carring Bag
- Printed 1 side

**Yard Sign Printing Specifications:**

- A) Company Name: **CENTURY 21**  
 DBA \_\_\_\_\_  
 B) Agent Name: \_\_\_\_\_  
 C) Agent Phone Number: \_\_\_\_\_

Forward photo in 300 DPI by Email to:  
[hcssigns@sympatico.ca](mailto:hcssigns@sympatico.ca)

**EXTRA**

**ITEM #8036**

**Feather Flag**

Office Floor Base \$ 82.50 each



**ITEM #8037**

**Feather Flag**

Ground Stake \$ 42.90 each



Please Photocopy  
 AND ATTACH TO ORDER FORM







VISA



AMERICAN EXPRESS

1699 Station Street, Mascouche, QC J7L 2J6

T. 450 477-2828 | F. 450 477-6819 | [hcssigns@sympatico.ca](mailto:hcssigns@sympatico.ca)