

# HOME COLONIAL SIGNPOST

DIVISION OF ROBWOOD INC



## WE SHIP ACROSS CANADA



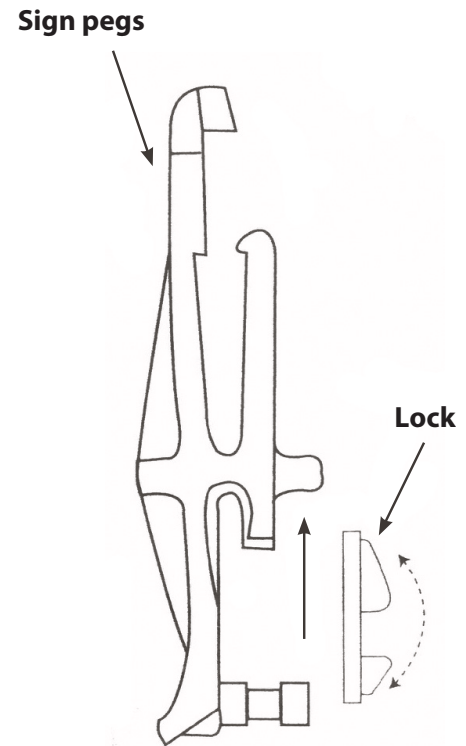
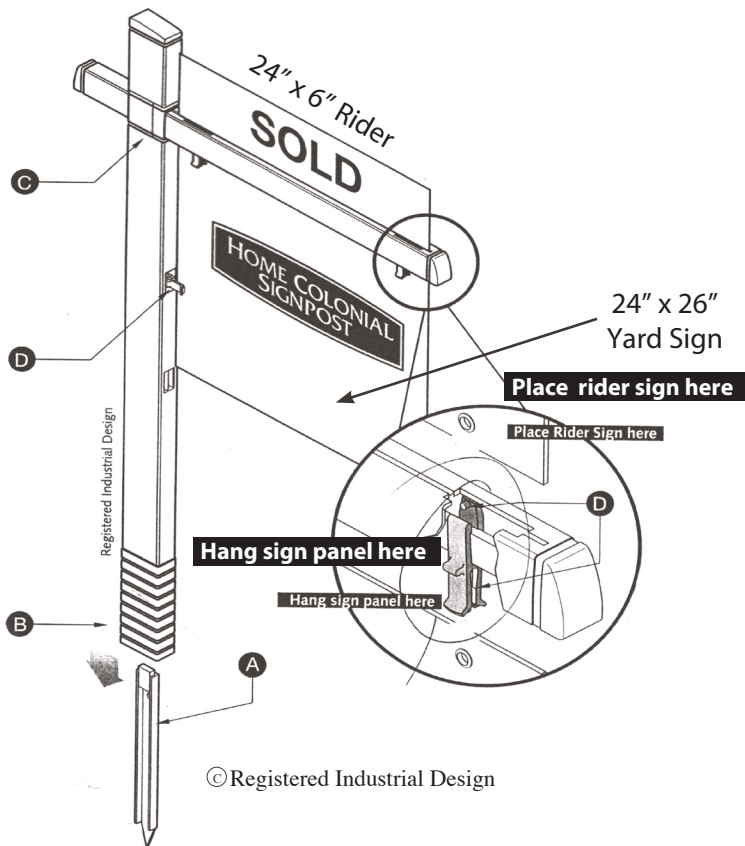
FOR CATALOGUE UPDATES AND SALE'S PROMOTIONS, PLEASE REFER TO  
**[homecolonialsignpost.com](http://homecolonialsignpost.com)**

**REAL ESTATE YARD SIGN CATALOGUE**  
TEL.: 450-477-2828 • E-mail: [hcssigns@sympatico.ca](mailto:hcssigns@sympatico.ca)



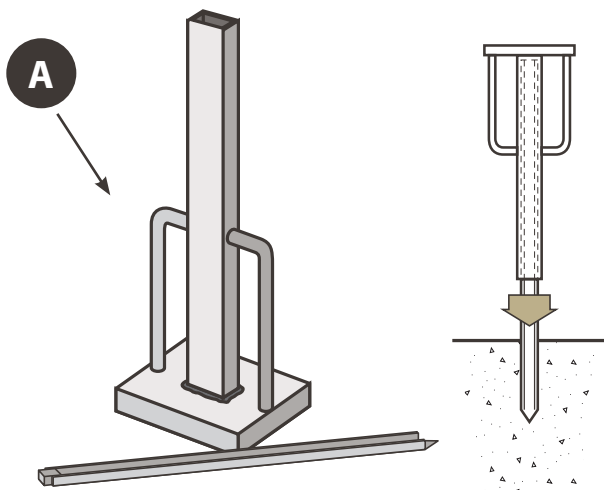
- ▶ How to install ..... 3
- ▶ Imagemaker sign post..... 4
- ▶ Residential Yard Signs 60” Post System ..... 5-6-7-8
- ▶ Residential 36” Yard Signs ..... 9
- ▶ Name Riders Personalize your Rider with a photo.....10-11
- ▶ Complete Steel Frame Kit Special ..... 12
- ▶ Commercial Signs ..... 13-14-15-16
- ▶ Global Luxury Yard Signs ..... 17
- ▶ Sign Post kit ..... 18-19
- ▶ Sign Riders..... 20
- ▶ Sign Stickers ..... 21
- ▶ Open House Signs ..... 22-23
- ▶ Directional Sign ..... 24-25-26
- ▶ Wire Stakes Directional Signs .....27
- ▶ Sign Accessories.....28-29-30
- ▶ Personal .....31-32-33
- ▶ Order Form ..... 34

**The Iimagemaker Sign Post**



(For hanging main sign panel beneath cross-arm, and, for attaching side of main sign panel to upright post to prevent swinging)

**QUICK'N EASY**



- A** Pound stake into soil using a stake hammer (stop at the yellow line);
- B** Slide upright portion of post onto top of stake;
- C** Slide cross arm portion into upright until snap;
- D** Insert sign pegs in post and hang sign panel;
- E** Slide message rider sign into slot of cross arm;

## « Snap Assembly » Sign Post System

### Main Post 60", Cross Arm 36"

**ITEM C2005P**



Includes sign post assembly & ground stake.

**QTY: 3 Per Box**  **Model A = \$ 65.75 each post**  
 **Model B = \$ 68.75 each post**

**Available in boxes of 3 only**

### Quick'n easy to install:

- A) Pound stake into ground with stake hammer  
**Item #7095, page 28**
- B) Slide upright portion of post onto top of stake;
- C) Slide cross arm portion into upright until it snaps;
- D) Insert sign pegs in post until they clip, hang sign panel, and then slide rider sign into slot of cross arm.

## 2 PRODUCT WARRANTY YEARS!\*

\*Your Imagemaker Signpost warranty covers all defects in materials and workmanship.

The following are not covered by the warranty:

- 1- **Units on which the manufacture date has been defaced, modified or removed.**
- 2- **Damage or deterioration resulting from:**
  - A- Installation or removal of the signpost
  - B- Accident, misuse, abuse, neglect, unauthorized product modification.
  - C- Installation of parts or accessories that do not conform to the quality or specification of the original sign post or accessories

**Yard Signs 60" Sign Post System**

**ITEM C6005**

**24" x 18" - Corrugated Plastic Sign Panel - 4 mm**

**Model A**



**Model B**



**DESCRIPTION:**

- Printed 2 sides
- Imprinted with DBA, phone number and website
- Standard 5 grommets hole pattern

**Choose from two color schemes!**

Model A       Model B

5 grommets       No grommet

To fit Steel Frames

- 6 = \$ 22.75 each
- 12 = \$ 17.00 each
- 25 = \$ 16.55 each

**Same sign printed 1 side only**

- 6 = \$ 19.60 each
- 12 = \$ 13.95 each
- 25 = \$ 13.35 each

**YARD SIGN PRINTING SPECIFICATIONS:**

Company Name: **COLDWELL BANKER**

A) DBA: \_\_\_\_\_

D) Website: \_\_\_\_\_

E) Office Phone Number: \_\_\_\_\_

**Logos**



Yard Signs 60" Sign Post System

ITEM C6010

Model A



Model B



Model C



24" x 26"

Yard Sign With Associate Identifier

DESCRIPTION:

- Printed 2 sides
- 4 mm coroplast office identification sign
- Imprinted with DBA, phone number and website
- White coroplast can be translucent in very bright areas

Choose from four color schemes!

Model A  Model B

Model C  Model D

3 grommets  No grommet

(grommets: two (2) on top and one (1) on left side of sign)

6 = \$ 27.80 each

12 = \$ 22.15 each

25 = \$ 20.75 each

YARD SIGN PRINTING SPECIFICATIONS:

Company Name: **COLDWELL BANKER**

A) DBA \_\_\_\_\_

B) Office Phone Number \_\_\_\_\_

C) Website: \_\_\_\_\_

Logos



Model D



Please Photocopy  
AND ATTACH TO ORDER FORM

**Yard Signs 60" Sign Post System**

**ITEM C6015**

**Model A**



**Model B**



**Model C**



**24" x 26"**

**Yard Sign With Associate Identifier  
& Agent Photo**

**DESCRIPTION:**

- Printed 2 sides
- 4 mm coroplast office identification sign
- Imprinted with DBA, phone number and website
- White coroplast can be translucent in very bright areas

**Choose from four photos schemes!**

Model A  Model B  Model C  Model D

3 grommets  No grommet

(grommets: two (2) on top and one (1) on left side of sign)

Photo on file  Sending photo by email

Forward photo in 300 DPI by Email to: [hcssigns@sympatico.ca](mailto:hcssigns@sympatico.ca)

6 = \$ 27.80 each

12 = \$ 22.15 each

25 = \$ 20.75 each

**YARD SIGN PRINTING SPECIFICATIONS:**

Company Name: **COLDWELL BANKER**

A) DBA: \_\_\_\_\_

B) Agent Name: \_\_\_\_\_

C) Title: \_\_\_\_\_

D) Agent Website or Email: \_\_\_\_\_

F) Agent Phone Number: \_\_\_\_\_

**Logos:**



**Model D**



\* Note: For quality purpose, agent photos should be taken at the highest possible resolution, but no less than 5.5" x 5.5" at 300 dpi (dots per inch). Shoot photos in black and white. Color photos can be used, but the sophistication of black and white are recommended because they are more elegant, modern and professional.

Please Photocopy  
AND ATTACH TO ORDER FORM

## Yard Signs 60" Sign Post System

**ITEM C6035**

### Model A



### Model B



### 36" x 32" Yard Sign with associate identifier

#### DESCRIPTION:

- **Printed 2 sides**

Imprinted with DBA, Website and phone number

- 4 mm coroplast office & agent identification sign
- White coroplast can be translucent in very bright areas
- 4 grommets (two (2) on top and two (2) on left side)

#### Choose from two color schemes!

Model A  Model B

4 grommets  No grommet

5 = \$ 41.75 each

10 = \$ 41.00 each

15 = \$ 40.35 each

Company Name: **COLDWELL BANKER**

A) DBA \_\_\_\_\_

B) Office Phone Number: \_\_\_\_\_

C) Website \_\_\_\_\_

#### Logos:





**36" Yard Signs**

**ITEM C6040**

**Model A**



**Model B**



**36" x 24" - Yard Sign**

**DESCRIPTION:**

- **Printed 2 sides**
- 4 mm coroplast office identification sign
- Imprinted with DBA, Website and phone number
- White coroplast can be translucent in very bright areas
- 5 grommets (two(2) on top, one (1) left and two (2) on bottom)

**Choose from two color schemes!**

Model A       Model B

5 grommets       No grommet

- 6 = \$ 34.15 each
- 12 = \$ 31.50 each
- 25 = \$ 29.85 each
- 50 = \$ 29.20 each

**YARD SIGN PRINTING SPECIFICATIONS:**

Company Name: **COLDWELL BANKER**

A) DBA \_\_\_\_\_

B) Office Phone Number \_\_\_\_\_

C) Website: \_\_\_\_\_

**Logos:**



**Please Photocopy  
AND ATTACH TO ORDER FORM**

## Personalize Your Rider With a Photo

ITEM C6045

### Model A



### Model B



### Model C



### Model D



### 36" x 8" Name Rider

#### Description:

- **Printed 2 sides**

- 4 mm coroplast agent identification sign
- 2 grommets (on top or bottom)

Model A  Model B  Model C  Model D

12 = \$ 13.30 each With photo 6" x 6"

25 = \$ 11.90 each

#### 2 grommets:

Top  or Bottom

A) Agent Name: \_\_\_\_\_

A) Title: \_\_\_\_\_

C) Agent Phone Number: \_\_\_\_\_

A) Website: \_\_\_\_\_

\* Note: For quality purpose, agent photos should be taken at the highest possible resolution, but no less than 5.5" x 5.5" at 300 dpi (dots per inch). Color photos can be used.

**Personalize Your Rider With a Photo**

**ITEM C6085**

**Model A**



**Model B**



**Model C**



**Model D**



**24" x 6 - Agent Name Riders**

**Description:**

- **Printed 2 sides**
- 4 mm coroplast agent identification sign

**Model A**

12 = \$ 9.45 each

25 = \$ 8.00 each

**2 grommets:**

Top  or Bottom

Center print for steel frames

**24" x 8 - Agent Name Riders**

**Description:**

- **Printed 2 sides**
- 4 mm coroplast agent identification sign

**Model A**     **Model B**     **Model C**     **Model D**

12 = \$ 10.70 each    With photo 5.5" x 5.5"

25 = \$ 9.30 each

**2 grommets:**

Top  or Bottom

**Sign Printing specifications:**

A) Agent Name: \_\_\_\_\_

B) Title: \_\_\_\_\_

C) Agent Phone Number: \_\_\_\_\_

**Photo on file**     **Sending photo by email**

Forward photo in 300 DPI by Email to: [hcsigns@sympatico.ca](mailto:hcsigns@sympatico.ca)

\*Note: For quality purpose, agent photos should be taken at the highest possible resolution, but no less than 5.5" x 5.5" at 300 dpi (dots per inch). Color photos can be used.

**Please Photocopy  
AND ATTACH TO ORDER FORM**

## Complete Steel Frame Kit

# SPECIAL

**ITEM C6075**

- (ITEM 6075)     A) 8 STEEL FRAMES
- (ITEM 6005)     B) 8 YARD SIGNS 24" x 18"
- (ITEM 6085)     C) 8 NAME RIDERS 24" x 6"
- (ITEM 6090)     D) 4 "NEW PRICE" 24" x 6"
- (ITEM 6090)     E) 4 "OPEN SUNDAY 2 TO 4 P.M." 24" x 6"
- (ITEM 6090)     F) 4 "SOLD" 24" x 6"

### Choose from two color schemes!

**Model A**



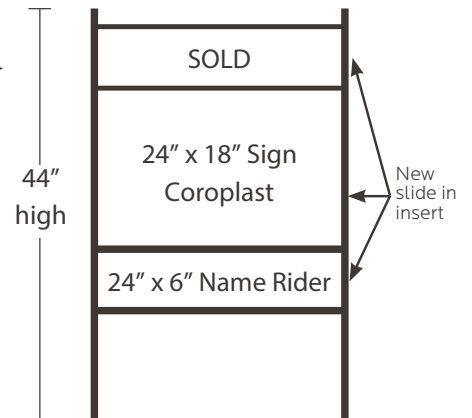
**Model A**

**Model B**



**Model B**

New design →



Company Name: **COLDWELL BANKER**

A) DBA \_\_\_\_\_

B) Office Phone number: \_\_\_\_\_

**NAME RIDER**

C) Agent Name: \_\_\_\_\_

D) Title: \_\_\_\_\_

E) Agent Phone Number: \_\_\_\_\_

Frame Item #7080 / see page 30

A value of \$ 754.65  
for only **\$710.00**

\* The CENTURY 21 Policy and Procedures Manual requires that brokers use the CENTURY 21 Colonial Post Sign made to Franchise Identification System Specifications unless prohibited from doing so by the client or by law or local ordinance. Yard signs depicted in other formats are offered for your convenience and should only be used when it is not possible to use the Colonial Post Yard Sign.

Please Photocopy  
AND ATTACH TO ORDER FORM

**Commercial Signs**

**ITEM C6070**

**Model A**



Sample Message

**Model B**



Sample Message

**60" x 48" Extra Large Yard Sign**

**LARGE, PRINTED ONE SIDED COROPLAST SIGN IDEAL FOR INDUSTRIAL, COMMERCIAL BUILDINGS, OPEN LOTS AND ACREAGE.**

Ready to install on buildings, etc. Coroplast signs are inexpensive to ship and easy to install.

Signs should be supported with wooden frame (1" x 3" furring).

**DESCRIPTION:**

- Printed 1 side only
- 6 mm coroplast office identification sign.
- Imprinted with DBA, website and phone number

**Model A**       **Model B**

- 1 = \$ 145.00 each
- 3 = \$ 137.00 each
- 6 = \$ 124.50 each

**YARD SIGN PRINTING SPECIFICATIONS:**

Company Name: **COLDWELL BANKER**

A) DBA \_\_\_\_\_

B) Website: \_\_\_\_\_

C) Office Phone Number: \_\_\_\_\_

D) Agent name: \_\_\_\_\_

E) Title: \_\_\_\_\_

F) Agent Phone Number: \_\_\_\_\_

G) Agent Website or Email: \_\_\_\_\_

H) Message: \_\_\_\_\_

\_\_\_\_\_

\_\_\_\_\_

\_\_\_\_\_

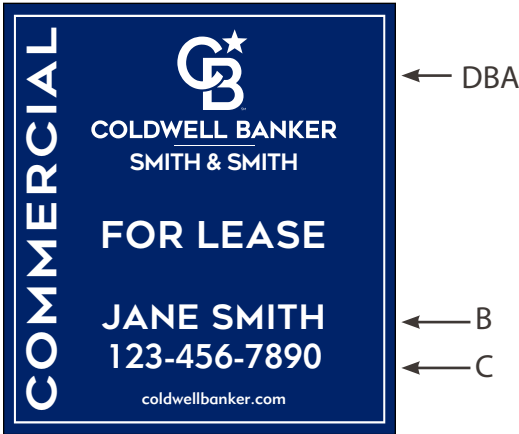
\_\_\_\_\_

**Please Photocopy  
AND ATTACH TO ORDER FORM**

## Yard Signs 60" Sign Post System

**ITEM C6060**

### Model A



### 24" x 26" - Commercial Yard Sign With Associate Identifier

**DESCRIPTION:**

- Printed 2 sides
- 4 mm coroplast office identification sign
- Imprinted with DBA and phone number

Model A  Model B

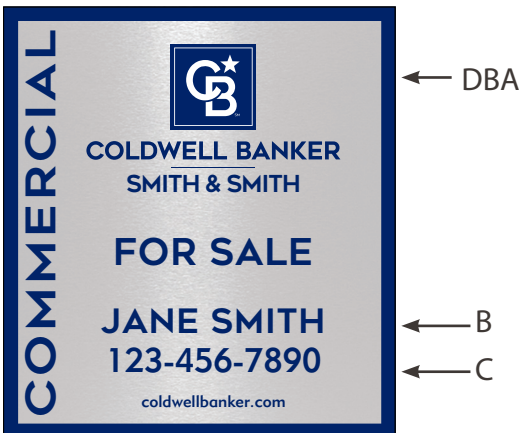
3 = \$ 32.00 each

6 = \$ 27.80 each

12 = \$ 22.15 each

3 grommets  No grommets

### Model B



**Yard Sign Printing Specifications:**

Company Name: **COLDWELL BANKER**

A) DBA \_\_\_\_\_

B) Agent Name: \_\_\_\_\_

C) Agent Phone Number: \_\_\_\_\_

### Model A



### 24" x 8 -Message Riders

**DIGITAL PRINT**

**Description:**

2 grommets: Top  or Bottom

Model A

3 = \$ 19.25 each  6 = \$ 16.45 each  12 = \$13.65 each

Your Sign Message: \_\_\_\_\_

Please Photocopy  
AND ATTACH TO ORDER FORM

**Commercial Signs**

**ITEM C6065**

**Model A**



← DBA

← B

← C

**48" x 48" - Large Yard Sign**

**LARGE, PRINTED ON ONE SIDE COROPLAST SIGN IDEAL FOR INDUSTRIAL, COMMERCIAL BUILDINGS, OPEN LOTS AND ACREAGE.**

Ready to install on buildings, etc. Coroplast signs are inexpensive to ship and easy to install. Signs should be supported with wooden frame (1" x 3" furring).

**DESCRIPTION:**

- Printed 1 side only
- 6 mm coroplast office identification sign

**48" x 48" - with upper message**

Model A  Model B

1 = \$ 147.00 each

3 = \$ 133.00 each

5 = \$ 114.80 each

Your Sign Message: \_\_\_\_\_  
 \_\_\_\_\_  
 \_\_\_\_\_  
 \_\_\_\_\_

Company Name: **COLDWELL BANKER**

A) DBA \_\_\_\_\_

B) Agent Name: \_\_\_\_\_

C) Agent Phone Number: \_\_\_\_\_

**Model B**



← DBA

← B

← C

Please Photocopy

AND ATTACH TO ORDER FORM

## Commercial Signs

**ITEM C6072**

**Model A**



**Model B**



### 60" x 48" Extra Large Yard Sign

**LARGE, ONE SIDED COROPLAST SIGN IDEAL FOR INDUSTRIAL, COMMERCIAL BUILDINGS, OPEN LOTS, ACREAGE.**

Ready to install on buildings, etc. Coroplast signs are inexpensive to ship and easy to install.

Signs should be supported with wooden frame (1" x 3" furring).

**DESCRIPTION:**

- Printed one sided
- 6 mm coroplast office identification sign.

**Model A**       **Model B**

- 2 = \$ 165.20 each
- 3 = \$ 152.60 each
- 6 = \$ 145.60 each

**YARD SIGN PRINTING SPECIFICATIONS:**

- A) Company Name: **COLDWELL BANKER** \_\_\_\_\_
- D) Agent name: \_\_\_\_\_
- F) Agent Phone Number: \_\_\_\_\_
- G) Agent Website or Email: \_\_\_\_\_

Your Sign Message: \_\_\_\_\_

\_\_\_\_\_

\_\_\_\_\_

\_\_\_\_\_



**Main Post 60", Cross Arm 36"**

**ITEM C6050**

**Model A**



**24" x 32" Global Luxury Yard Sign**

**DESCRIPTION:**

- 4 mm coroplast office identification sign.
- Imprinted with DBA, Website and phone number

**Model A**

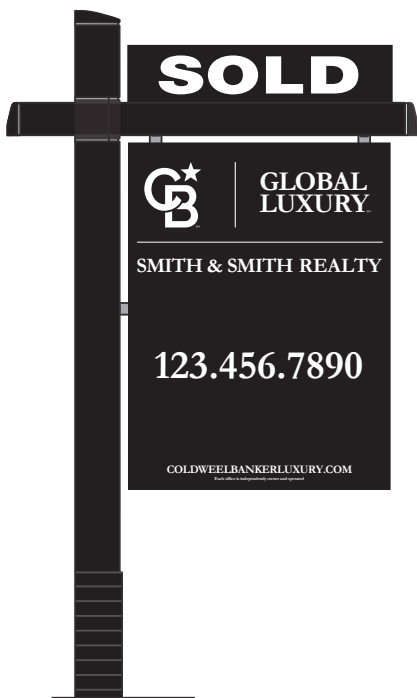
- 3 = \$ 34.80 each       4 grommets
- 6 = \$ 32.90 each       No grommets
- 12 = \$ 30.40 each

**Riders 24" x 8 - Die-Cut**

- 3 = \$ 21.00 each



**ITEM C6055**



**SPECIAL**

**COMPLETE GLOBAL LUXURY SIGN POST KIT**

**DESCRIPTION:**

- A) 3 IMAGE MAKER 60" BLACK SIGN POSTS complete with ground stakes & 3 extra pegs
- B) 3 Yard signs (24" x 32")
- C) 3 Personalized riders with photo



**Forward photo in 300 DPI by e-mail to : [hcassigns@sympatico.ca](mailto:hcassigns@sympatico.ca)**

- Photo on file       Sending photo by email

**Logos**



Company Name: **COLDWELLBANKER**

- A) DBA \_\_\_\_\_
- B) Agent name: \_\_\_\_\_
- C) Agent Phone Number: \_\_\_\_\_
- D) Agent Website or Email: \_\_\_\_\_

**Please Photocopy  
AND ATTACH TO ORDER FORM**

## 60" Sign post system

ITEM C9000



A value of \$ 640.80  
for only **\$ 595.00**

# SPECIAL

## COMPLETE SIGN POST KIT WITH PICTURE

### Model A

#### DESCRIPTION:

- A) 6 IMAGE MAKER 60" SIGN POSTS  
complete with ground stakes & pegs
- B) 6 Yard signs (24" x 26") with associated identifier
- C) 12 Message riders (24" x 6")
  - 3 "NEW PRICE"
  - 3 "OPEN SUNDAY 2 - 4"
  - 3 "JUST LISTED"
  - 3 "SOLD"

- Photo on file\*       Sending photo by email\*

#### Logos:



Company Name: **COLDWELL BANKER**

- A) DBA: \_\_\_\_\_
- B) Website: \_\_\_\_\_
- C) Office Phone Number: \_\_\_\_\_
- D) Agent name: \_\_\_\_\_
- E) Title: \_\_\_\_\_
- F) Agent Phone Number: \_\_\_\_\_
- G) Agent Website or Email: \_\_\_\_\_

\* Note: For quality purpose, agent photos should be taken at the highest possible resolution, but no less than 5.5" x 5.5" at 300 dpi (dots per inch). Color photos can be used.

Please E-mail photo to: [hcssigns@sympatico.ca](mailto:hcssigns@sympatico.ca)

Please Photocopy  
AND ATTACH TO ORDER FORM

**60" Sign post system**

**SPECIAL**   
**COMPLETE SIGN POST KIT**

**ITEM C9000**

**Model B**

**DESCRIPTION:**

- A) 6 IMAGE MAKER 60" BLACK SIGN POSTS  
complete with ground stakes & pegs
- B) 6 Yard signs (24" x 26") with associated identifier
- C) 12 Message riders (24" x 6")
  - 3 "NEW PRICE"
  - 3 "OPEN SUNDAY 2 - 4"
  - 3 "JUST LISTED"
  - 3 "SOLD"

- Photo on file\*
- Sending photo by email\*

**Logos:**



Company Name: **COLDWELL BANKER**

- A) DBA \_\_\_\_\_
- B) Agent name: \_\_\_\_\_
- C) Title: \_\_\_\_\_
- D) Agent Phone Number: \_\_\_\_\_
- E) Agent Email: \_\_\_\_\_
- F) Agent Website: \_\_\_\_\_

\*Note: For quality purpose, agent photos should be taken at the highest possible resolution, but no less than 5.5" x 5.5" at 300 dpi (dots per inch). Color photos can be used.

Please E-mail photo to: [hcssigns@sympatico.ca](mailto:hcssigns@sympatico.ca)



A value of \$ 658.55  
for only **\$615.00**

**Please Photocopy  
AND ATTACH TO ORDER FORM**

## ITEM C6090

Model A

**FOR SALE**

Model B

**OPEN HOUSE**

Model C

**SOLD**

Model D

**OPEN HOUSE**

### Special Features And Activities

#### DESCRIPTION:

- Printed 2 sides
- 4 mm coroplast sign riders.

White coroplast can be translucent in very bright areas

**NOTE:** Minimum of 12 signs, **no mixing.**

Model A  Model B  Model C  Model D

Sign no. \_\_\_\_\_ Quantity \_\_\_\_\_

Description \_\_\_\_\_

Sign size: 24" x 6"  36" x 8"

#### • 2 grommets:

Top  Bottom  Center print for steel frames

#### 24" x 6"

100 = \$ 4.40 each

50 = \$ 5.05 each

25 = \$ 6.00 each

12 = \$ 6.60 each

#### 36" x 8"

100 = \$ 5.60 each

50 = \$ 6.15 each

25 = \$ 6.70 each

12 = \$ 7.90 each

7 0 0	COMMERCIAL	7 1 2	OPEN →	7 2 3	OPEN HOUSE	7 3 8	OPEN SUNDAY 2-4	7 5 1	MUST SEE INSIDE!
7 0 1	OFFICE	7 1 3	AUCTION	7 2 4	FOR LEASE	7 4 0	MODEL OPEN →	7 5 2	NEW PRICE!
7 0 2	3 BEDROOM	7 1 4	→	7 2 7	LOT	7 4 1	FARM	7 5 3	OPEN SUNDAY 1-3
7 0 5	LAKEFRONT	7 1 5	OPEN SUNDAY 1-4	7 2 8	SALE PENDING	7 4 2	OPEN SATURDAY	7 5 4	OPEN SAT. ____ TO ____
7 0 6	SWIMMING POOL	7 1 6	FOR SALE	7 2 9	RENTALS	7 4 3	OPEN SUNDAY	7 5 6	LAKE RIGHTS
7 0 7	BY APPT. ONLY	7 1 7	OWNER FINANCE	7 3 0	WATERFRONT	7 4 4	SOLD BUT WE HAVE OTHERS	7 5 7	LOT # ____
7 0 8	SOLD	7 1 8	EXCLUSIVE	7 3 1	INCOME PROPERTY	7 4 5	ACREAGE	7 5 8	NEW LISTING
7 0 9	2 FAMILY	7 1 9	LOTS	7 3 2	OPEN HOUSE →	7 4 8	DUPLEX	7 5 9	IN CONTRACT
7 1 0	4 BEDROOM	7 2 0	PRICE REDUCED	7 3 3	FOR RENT	7 4 9	HOME FOR SALE →	7 6 0	MULTI-FAMILY
7 1 1	____ ACRES	7 2 2	AVAILABLE	7 3 5	BUILT TO SUIT	7 5 0	HOME WARRANTY	7 6 1	CONDO

**ITEM C6095**

**CUSTOM VINYL GRAPHIC STICKERS**

- Black sticker, white lettering      Size of Sticker: \_\_\_\_\_
- White sticker, black lettering
- Transparent sticker, white or black lettering

Message print: \_\_\_\_\_  
 \_\_\_\_\_  
 \_\_\_\_\_  
 \_\_\_\_\_

**ITEM C7000**

**WHITE OR BLACK STICKERS WITH BLACK OR WHITE LETTERING**

SIZE	QUANTITY			
	15	25	50	100
<input type="checkbox"/> 15" X 3"	\$4.40 each	\$3.30 each	\$2.95 each	\$2.00 each
<input type="checkbox"/> 21" X 3"	\$4.95 each	\$3.75 each	\$3.40 each	\$2.85 each

Message print: \_\_\_\_\_

**ITEM C7005**

**TRANSPARENT STICKERS WITH WHITE OR BLACK LETTERING**

SIZE	QUANTITY			
	15	25	50	100
<input type="checkbox"/> 15" X 4"	\$5.10 each	\$3.75 each	\$3.30 each	\$2.60 each

Message print: \_\_\_\_\_

**ITEM C7010**

**EXTRA LARGE PERSONALIZED STICKERS**

SIZE	QUANTITY	
	15	25
<input type="checkbox"/> 24" X 7.5"	\$7.70 each	\$9.70 each

Message print: \_\_\_\_\_

## ITEM C7015

### Model A



## 24" x 18" Open House Signs

### DESCRIPTION:

- Printed 1 side only
  - 4 mm coroplast sign
- White coroplast can be translucent in very bright areas

**Minimum order = 12**

### Specify:

#### MODEL A

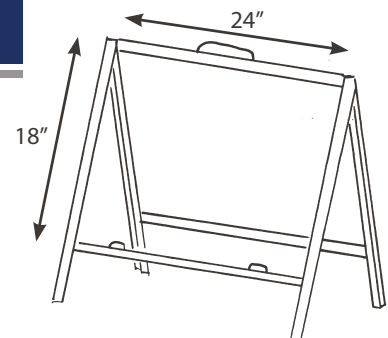
- FOR SALE → QTY: \_\_\_\_\_  ← QTY: \_\_\_\_\_
- OPEN HOUSE → QTY: \_\_\_\_\_  ← QTY: \_\_\_\_\_
- 12 = \$ 13.95 each       50 = \$ 12.65 each
- 24 = \$ 13.35 each

### Yard Sign Printing Specifications:

- A) Company Name: **COLDWELL BANKER**  
DBA \_\_\_\_\_
- B) Agent name: \_\_\_\_\_
- C) Agent Phone Number: \_\_\_\_\_
- D) Agent website or Email: \_\_\_\_\_

## ITEM C7070

page 29



**ITEM C7015**

**Model B**



**24" x 18" Open House Signs**

**DESCRIPTION:**

- Printed 1 side only
  - 4 mm coroplast sign
- White coroplast can be translucent in very bright areas

**Minimum order = 12**

**Specify:**

**MODEL B**

FOR SALE QTY:  QTY:

OPEN HOUSE → QTY:  ← QTY:

12 = \$ 13.95 each →  50 = \$ 2.65 each

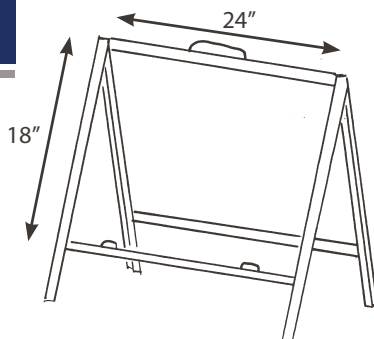
24 = \$ 13.35 each

**Yard Sign Printing Specifications:**

- A) Company Name: **COLDWELL BANKER**  
 DBA \_\_\_\_\_
- B) Agent name: \_\_\_\_\_
- C) Agent Phone Number: \_\_\_\_\_
- D) Agent website or Email: \_\_\_\_\_

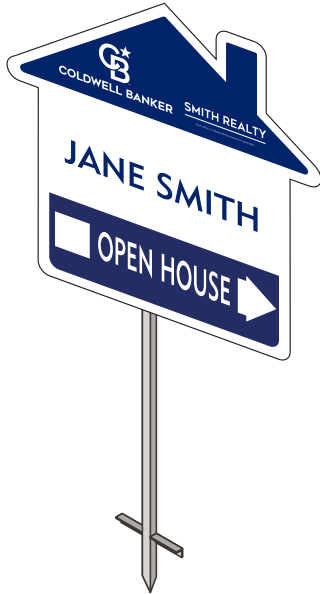
**ITEM C7070**

page 29



Please Photocopy  
AND ATTACH TO ORDER FORM

## ITEM C7051



### Little House die-cut sign 18" X 18" Directional sign with step stake

#### DESCRIPTION:

- Printed one side
- 2 X 4 mm coroplast signs glued back to back
- Includes step stake, nuts and bolts
- Weight: 4.75 pounds each

#### SIGN PRINTING SPECIFICATIONS:

Company Name: **COLDWELL BANKER**

A) DBA \_\_\_\_\_

B) Agent name: \_\_\_\_\_

C) Title: \_\_\_\_\_

D) Agent Phone Number: \_\_\_\_\_

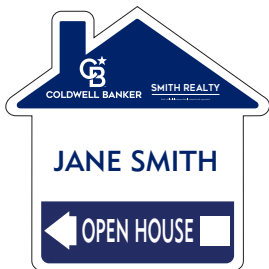
Specify: **OPEN HOUSE**  **FOR SALE**

10 = \$ 35.00 each

15 = \$ 33.50 each

25 = \$ 32.00 each

## ITEM C 7052



20 = \$ 11.70 each  
Minimum order  
10 per direction

### Single sided directional signs

#### DESCRIPTION:

- 1 X 4 mm coroplast sign
- Printed 1 side only

#### SIGN PRINTING SPECIFICATIONS:

Company Name: **COLDWELL BANKER**

A) DBA \_\_\_\_\_

B) Agent name: \_\_\_\_\_

C) Title: \_\_\_\_\_

D) Agent Phone Number: \_\_\_\_\_

Indicate direction of arrow:

Arrow right QTY: \_\_\_\_\_

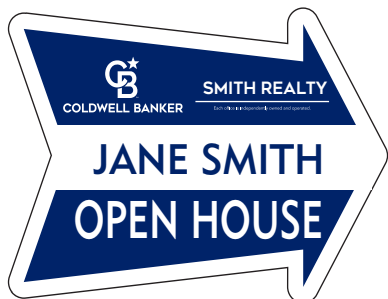
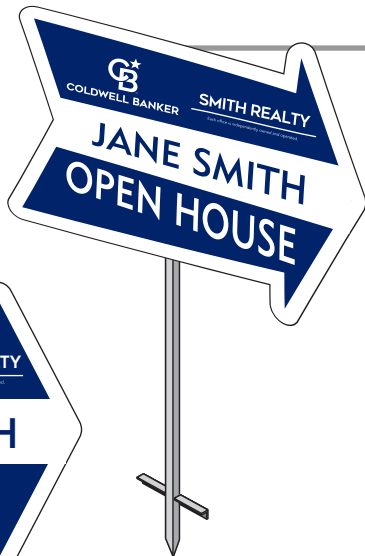
Arrow left QTY: \_\_\_\_\_

Specify: **OPEN HOUSE**  **FOR SALE**

Please Photocopy  
AND ATTACH TO ORDER FORM



**ITEM C7045**



**24" X 18" Arrow die-cut sign  
Directional sign with step stake**

**DESCRIPTION:**

- 2 X 4 mm coroplast signs glued back to back
- Printed 1 side only
- Includes step stake, nuts and bolts
- Weight: 4.75 pounds each

**SPECIFICATIONS:**

FOR SALE • QTY: \_\_\_\_\_  OPEN HOUSE • QTY: \_\_\_\_\_

**QUANTITY AND PRICE:**

NO MIXING

10 = \$ 44.30 each  25 = \$ 41.50 each

Company Name: **COLDWELL BANKER**

A) DBA \_\_\_\_\_

B) Agent name: \_\_\_\_\_

C) Title: \_\_\_\_\_

D) Agent Phone Number: \_\_\_\_\_

E) Website or Email: \_\_\_\_\_

**ITEM C7050**



**Single sided Arrow directional signs**

**DESCRIPTION:**

- 4 mm coroplast sign
- Printed 1 side only

**SPECIFICATIONS:**

FOR SALE → QTY: \_\_\_\_\_ ← QTY: \_\_\_\_\_  
 OPEN HOUSE → QTY: \_\_\_\_\_ ← QTY: \_\_\_\_\_

**QUANTITY AND PRICE:**

NO MIXING - **Minimum order 10 per direction**

20 = \$ 13.85 each  50 = \$ 11.40 each

Company Name: **COLDWELL BANKER**

A) DBA \_\_\_\_\_

B) Agent name: \_\_\_\_\_

C) Title: \_\_\_\_\_

D) Agent Phone Number: \_\_\_\_\_

Please Photocopy  
AND ATTACH TO ORDER FORM

## ITEM C7025



### Model A



### Model B



- 10 = \$ 27.00 each
- 15 = \$ 26.50 each
- 25 = \$ 25.00 each

## 24" x 8" Directional Sign With Step Stake

### DESCRIPTION:

- 2 X 4 mm coroplast signs glued back to back
- Printed one side only
- Includes step stake, nuts and bolts
- Weight: 3.75 lbs each

### Choose from two color schemes!

White coroplast can be translucent in very bright areas

Model: A  B

Specify: OPEN HOUSE  FOR SALE

### SIGN PRINTING SPECIFICATIONS:

A) Company Name: **COLDWELL BANKER**

DBA \_\_\_\_\_

B) Agent name: \_\_\_\_\_

## ITEM C7030

### Model A



### Model B



- 20 = \$ 7.00 each
- 30 = \$ 6.75 each
- 50 = \$ 6.65 each

No mixing

### \* SAME SIGN PRINTED 2 SIDES:

- 10 = \$ 13.90 each
- 15 = \$ 12.60 each
- 25 = \$ 11.90 each

## 24" x 8" Directional sign

### DESCRIPTION:

- 4 mm coroplast sign
- Printed one side only

### SIGN PRINTING SPECIFICATIONS:

A) Company Name: **COLDWELL BANKER**

DBA \_\_\_\_\_

B) Agent name: \_\_\_\_\_

B) Specify: Minimum 10 each direction

Model: A OPEN HOUSE  → QTY: \_\_\_\_\_  ← QTY: \_\_\_\_\_

Model: B FOR SALE  → QTY: \_\_\_\_\_  ← QTY: \_\_\_\_\_

**ITEM C7055**

**Model A**



**Model B**



**Model C**



**Model D**



**24" X 12" Directional sign with wire stakes**

DESCRIPTION:

- **Printed 2 sides**
- With 30" galvanized wire stakes
- Use these lightweight, moisture proof, 4 mm corrugated plastic signs where cost is a factor. They will fit our H-Frame Wire Stake (sold separately. Signs are available with vertical flutes only and are printed on both sides. Personalized at no extra charge
- Weight: 4.75 pounds each

**YARD SIGN PRINTING SPECIFICATIONS:**

- A) Company Name: **COLDWELL BANKER**
- B) DBA: \_\_\_\_\_
- C) Title: \_\_\_\_\_
- D) Agent name: \_\_\_\_\_
- E) Agent Phone Number: \_\_\_\_\_

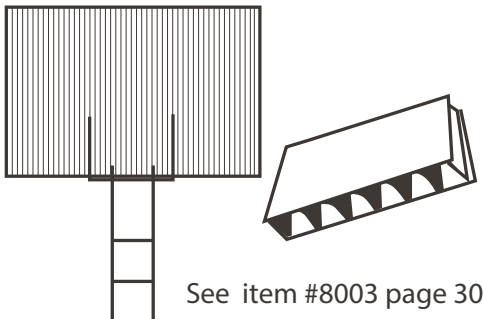
**Specify: OPEN HOUSE**  **or FOR SALE**

**Model A**  **Model B**  **Model C**  **Model D**

- 12 Directional signs & stakes = \$ 18.35 each**
- 24 Directional signs & stakes = \$ 17.75 each**
- 36 Directional signs & stakes = \$ 16.90 each**

**Galvanized Wire Stake**

- 10" X 30" galvanised stake
- 1/8" Wire construction
- For use with 4mm Corrugated sign panels
- Affordable and easy to use



See item #8003 page 30

**Please Photocopy  
AND ATTACH TO ORDER FORM**

## ITEM C7085

### Extra Yard Sign Ground Stakes

**DESCRIPTION:**

- Powder coated
- Available only in a packages of 3 ground stakes

**PRICE: \$35.15 per package**



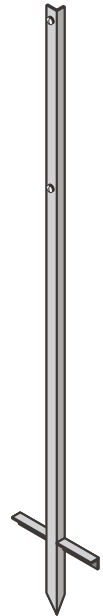
## ITEM C7090

### Step Stakes

**DESCRIPTION:**

- Step Stake 48"
- Weight: 2.75 lbs each
- 5 per box (minimum order of 5)
- Includes nylon nuts, bolts and washers
- Powder coated

**PRICE: \$67.50 per box**



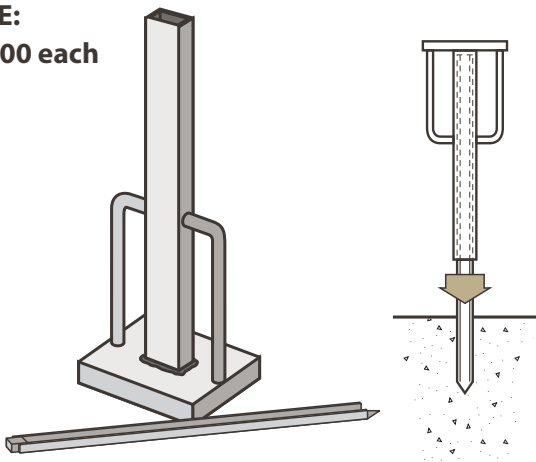
## ITEM C7095

### Stake Hammer

**DESCRIPTION:**

- For installing sign stakes
- Avoid flaring top of steel stakes
- Weight: 15 lbs.
- Powder coated

**PRICE: \$48.00 each**



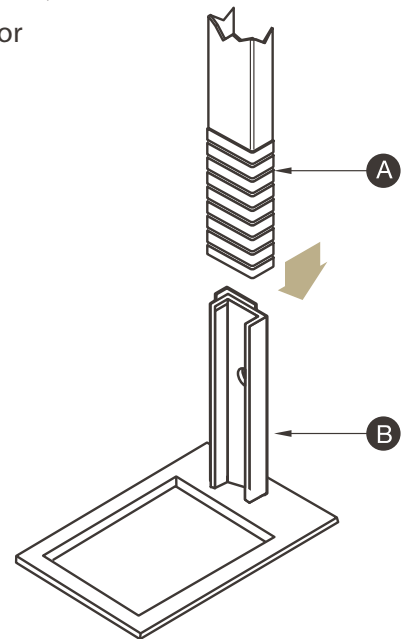
## ITEM C8000

### Portable Display Base

**DESCRIPTION:**

- Office sign and post display
- To be used for display or office special events.
- Powder coated

**PRICE: \$46.50 each**



## ITEM C7060

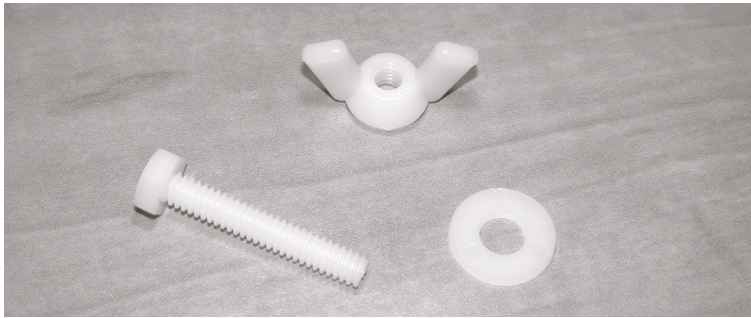
### Step Stake Nuts And Bolts

**DESCRIPTION:**

- 1 Bag =** 10 bolts  
10 wing nuts  
20 washers

**PRICE:**

**\$4.25 each bag**



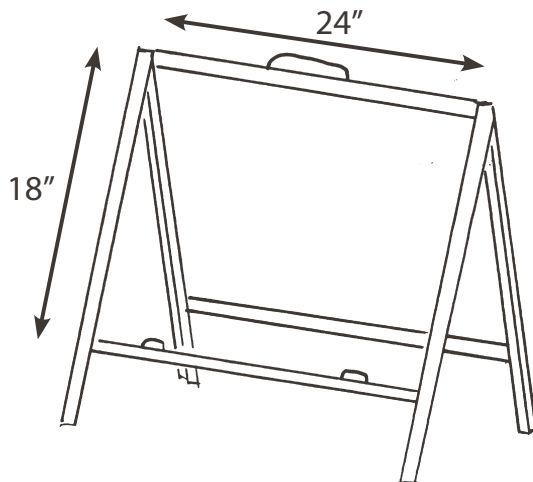
## ITEM C7070

### A-Frame or Tent Frame

**DESCRIPTION:**

- Powder coated For OPEN HOUSE, FOR SALE and DIRECTIONAL
- Available only in boxes of 4

**PRICE: \$ 39.00each frame**



Please Photocopy  
AND ATTACH TO ORDER FORM

## ITEM C7065

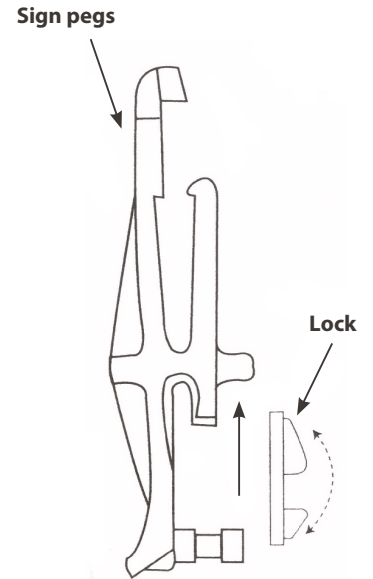
### Sign Pegs

**DESCRIPTION:**

- Plastic Sign Holder Pegs
- Packages of 9

**PRICE:**

**\$18.00 per bag**



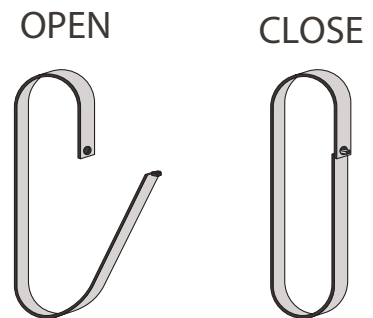
## ITEM C7075

### Rider Sign Hanger Clips

**DESCRIPTION:**

- 100% Stainless Steel Clips, For Hanging Name Rider Signs
- 36 clips per bag

**PRICE: \$26.60 per bag**



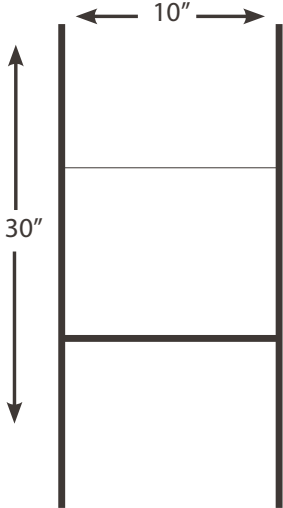
## ITEM C8003

### Quick-Up Coro Stakes

**DESCRIPTION:**

- 1/8" Galvanized Wire Stakes  
(12 wire stakes per box)

**PRICE: \$ 37.00 each**  
per box



## ITEM C7080

### Residential Steel Yard Frame

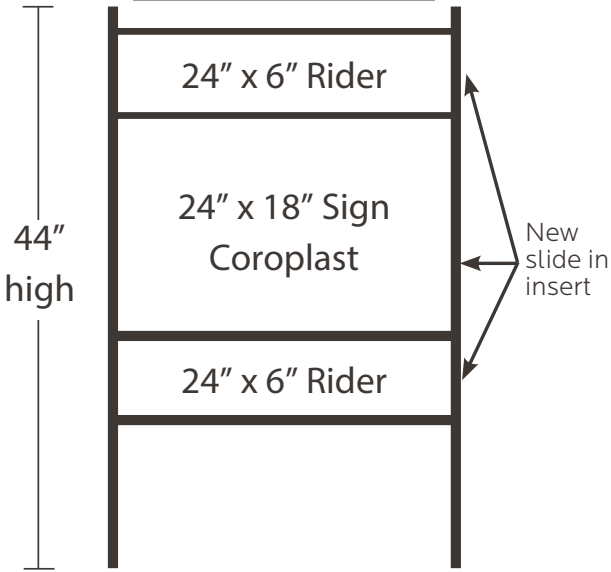
## NEW DESIGN

**NO INSTALLER NECESSARY**

**QUICK AND EASY TO INSTALL**

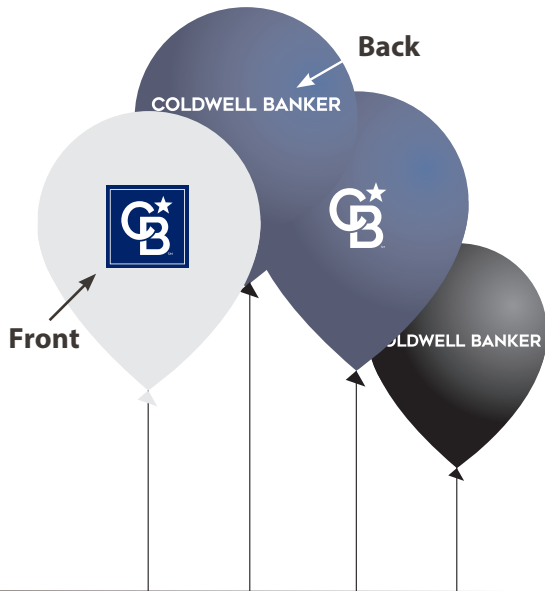
- Accommodates our 24" x 18" 4 mm Coroplast sign (Item #6005) and has special feature for holding sign riders 24" x 6"
- Black powder coat
- 3/4" Steel angle frame

QTY	4-20	24-100
PRICE	<b>\$52.00</b> each frame	<b>\$ 49.00</b> each frame



**Promotion Products**

**ITEM C8015**



**Balloons**

**DESCRIPTION:**

- Black or white 12" balloons with Century 21 logo printed 2 sides
- Helium quality pure latex

QTY	250	500	1000
PRICE	<b>\$ 70.00</b>	<b>\$ 140.00</b>	<b>\$ 275.00</b>

- Black Balloon, white writing
- White Balloon, black writing
- Black Balloon, gold writing
- Gold Balloon, black print

**Umbrella**

**ITEM C8010**

**DESCRIPTION:**

32" rib length, 64" arc

- Huge 64" umbrella
- 190T eight-panel polyester umbrella
- 14 mm black fiberglass shaft and 4 mm fiberglass ribs
- Black plastic top and metal tips
- Matching coloured PVC grip handle
- Manual open with hook fastener tie closure
- Wind proof
- Plenty of room two or three people

SP PP PS – 11" W x 10" H (panel)

**PRICE: \$21.00 each**



Promotion Products

ITEM C8025

**Zippered Legal Portfolio**

**DESCRIPTION:**

- Koskin material
- Three-sided zipper closure
- Full-length outside zippered pocket
- Inside compartment for CD's and DVD's accordion pocket for files
- Inside zippered pocket

**PRICE: \$27.90 each**

- Left front pocket center (4"x 8")
- Top front pocket center (8"x 4")
- Left front pocket center (3"x 6")
- Top pocket center (6"x 3")



ITEM C8030

**Ultrasonic Range Finder**

**Realtors convenient distance measuring tool**

- Automatic conversion between imperial & metric units with the push of a single button
- Measuring range 0.3 - 15 m or 1 foot - 50 feet

**PRICE: \$29.99 each**





**Promotion Products**

**ITEM C8035**

**Model A**



**Model B**



**Model C**



**Model D**



**Model E**



**Model F**



**Feather flag**

**DESCRIPTION:**

- Made with polyester material
- Double sticked pole pocket
- Fits poles up to 3/4"
- Height: 86"
- Width: 28.5"
- Weight: 4 lbs.



**Specify:**

- MODEL A**    
 **MODEL B**    
 **MODEL C**   
**MODEL D**    
 **MODEL E**    
 **MODEL F**

**Feather Flag Kit includes**

- 1 Feather Flag
- 1 Feather Flag with pole
- 1 Carrying Bag
- Printed 1 side

**Yard Sign Printing Specifications:**

Company Name: **COLDWELL BANKER**

A) DBA \_\_\_\_\_

B) Agent Name: \_\_\_\_\_

C) Agent Phone Number: \_\_\_\_\_

Forward photo in 300 DPI by Email to:  
hcssigns@sympatico.ca

**EXTRA**

**ITEM C8036**

**Feather Flag**

Office Floor Base \$ 75.00 each



**ITEM C8037**

**Feather Flag**

Ground Stake \$ 39.00 each

1699 Station Street, Mascouche, QC J7L 2J6  
T. 450 477-2828 | F. 450 477-6819 | hcssigns@sympatico.ca

**HOW TO ORDER:**

1. Photocopy catalogue page
2. Complete order form
3. Order directly by sending the order form via mail, fax or Email.
4. Orders must be accompanied by payment to begin processing.

**ORDER FORM:**

**Terms:**

You may pay for your merchandise by Visa, MasterCard or American Express. Check or money order in full (including shipping and applicable sales/tax). Shipping charges will automatically be added on charge card orders. When ordering by check or money order, and you would like to prepay shipping charges, you may call for exact freight charges. No C.O.D.'s accepted. Our minimum order is \$40.00. Prices subject to change without notice. Home Colonial Signs Post is not responsible for following individual local or municipal sign restrictions and specifications. If your area has specific sign codes or restrictions you must inform us in writing at the time you place your order.

**Sales/Tax:**

The appropriate tax will be added to all orders shipped.

**Returns:**

Merchandise can not be returned without written permission. No refunds can be given on personalized merchandise. All returned merchandise must be shipped freight prepaid.

Company name: **COLDWELL BANKER** \_\_\_\_\_

Address: \_\_\_\_\_

City: \_\_\_\_\_ Province: \_\_\_\_\_

Postal code: \_\_\_\_\_

Telephone: (\_\_\_\_) \_\_\_\_\_ Fax: (\_\_\_\_) \_\_\_\_\_

Card holder name: \_\_\_\_\_

Credit card number: \_\_\_\_\_ Expiry date: M / Y \_\_\_\_\_

Visa       Mastercard       American Express       Check

Card holder signature: \_\_\_\_\_

**FOR EXACT PRINTING DETAILS, SEE MODELS ON APPROPRIATE PAGES AND PHOTOCOPY**

QTY	ITEM NO	SIZE	DESCRIPTION	EACH	TOTAL

**SHIPPING AND BILLING CHARGES:**  
Shipping charges will automatically be included on charge card orders. When ordering by check or money order, and would like to prepay shipping charges, you may call for exact freight charges.

Total Price of items \_\_\_\_\_  
(see shipping charge information) Shipping Charges \_\_\_\_\_

Total amount of Order \_\_\_\_\_

H.S.T. or G.S.T. (Canadian Customers Only) \_\_\_\_\_

TOTAL \_\_\_\_\_

Québec clients, add Q.S.T. \_\_\_\_\_

**GRAND TOTAL** \_\_\_\_\_

**NEED A CATALOGUE?**  
Download it from our website [homecolonialsignpost.com](http://homecolonialsignpost.com)

Please Photocopy  
AND ATTACH TO ORDER FORM





**SOLD**



1699 Station Street, Mascouche, QC J7L 2J6

T. 450 477-2828 | F. 450 477-6819 | [hcssigns@sympatico.ca](mailto:hcssigns@sympatico.ca)