

HOME COLONIAL SIGNPOST

DIVISION OF ROBWOOD INC



WE SHIP ACROSS CANADA



CENTURY 21[®]

Approved Vendor

OUR NEW ILLUSTRATED CATALOGUE #12

T. 450 477-2828 | F. 450 477-6819 | hcssigns@sympatico.ca



Applicable to all of Canada except Ontario

Each CENTURY 21[®] Office is Independently Owned and Operated. [®] Registered trademark of Century 21 Real Estate LLC, used under license. TM Trademark of Century 21 Real Estate LLC, used under license.

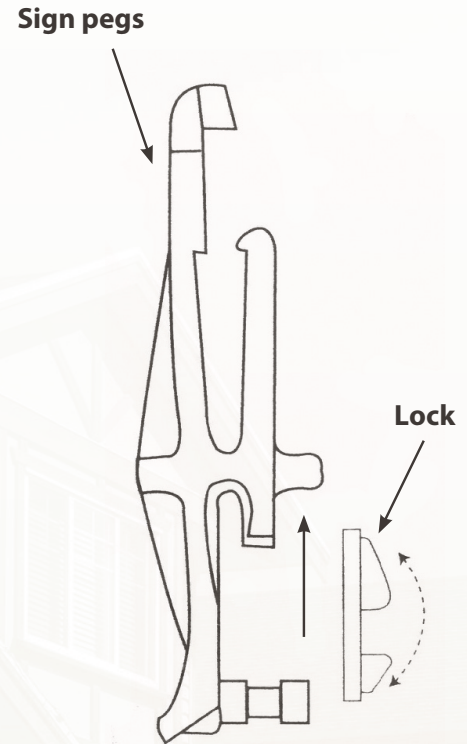
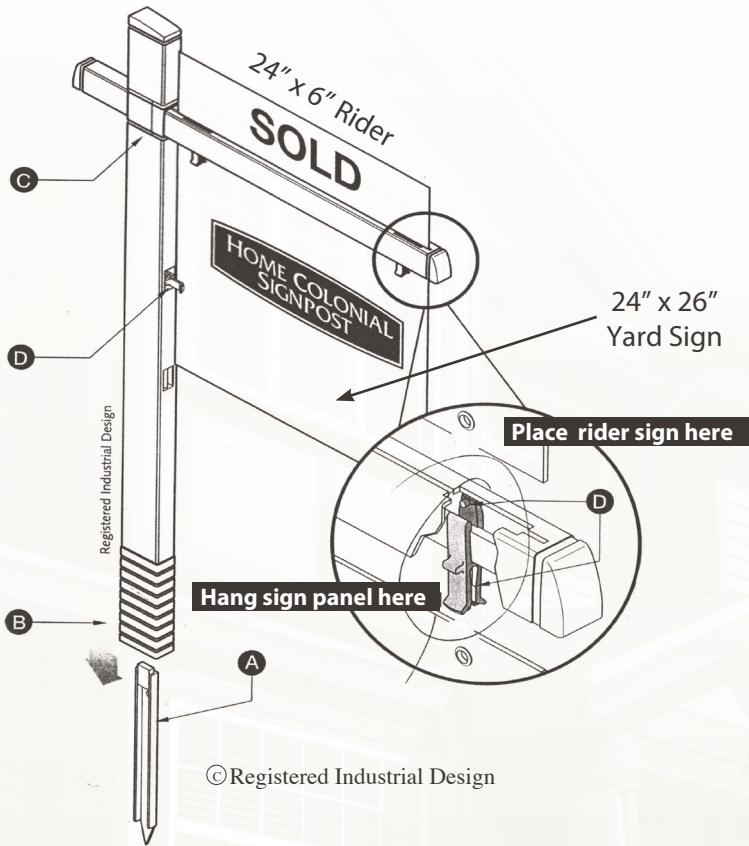
Applicable to Ontario only

Independently Owned and Operated. [®] Registered trademark of Century 21 Real Estate LLC, used under license. TM Trademark of Century 21 Real Estate LLC, used under license.



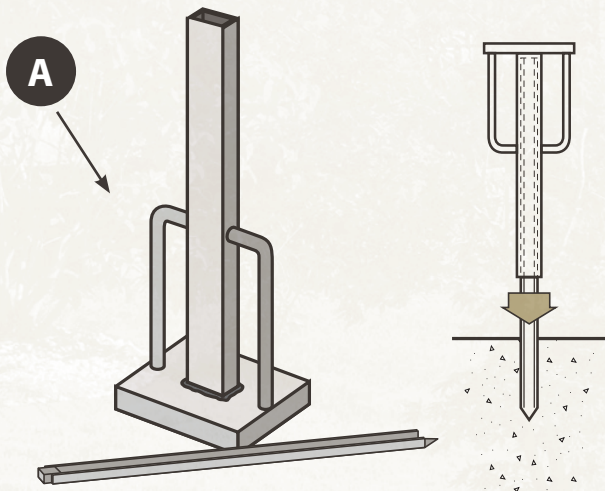
- ▶ How to install 4
- ▶ Imagemaker sign post..... 5
- ▶ Residential Yard Signs 60” Post System 6-7-8-9
- ▶ Residential 36” Yard Signs 10-11-12
- ▶ Name Riders Personalize your Rider with a photo..... 13
- ▶ Complete Steel Frame Kit Special 14
- ▶ Extra large Commercial Signs 15
- ▶ Commercial Signs 16-17-18
- ▶ Fine Homes and Estates 19
- ▶ Sign Post kit 20-21-22
- ▶ Sign Riders..... 23
- ▶ Sign Stickers 24
- ▶ Open House Signs 25-26
- ▶ Sign Accessories.....27-28
- ▶ Directional Sign 29
- ▶ Quick-up Directional Signs 30
- ▶ Sign Accessories..... 31-32
- ▶ Personal Promotional Products 33-37
- ▶ Order Form 38

The Imagemaker Sign Post



(For hanging main sign panel beneath cross-arm, and, for attaching side of main sign panel to upright post to prevent swinging)

QUICK'N EASY

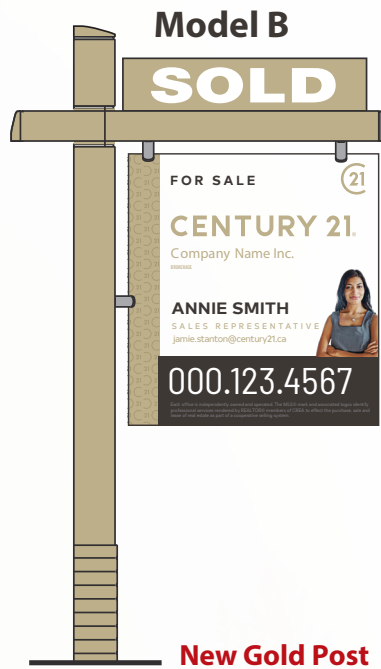


- A** Pound stake into soil using a stake hammer (stop at the yellow line):
- B** Slide upright portion of post onto top of stake;
- C** Slide cross arm portion into upright until snap;
- D** Insert sign pegs in post and hang sign panel;
- E** Slide message rider sign into slot of cross arm;

« Snap Assembly » Sign Post System

Main Post 60", Cross Arm 36"

ITEM #2005P



Includes sign post assembly & ground stake.

- QTY: 3 Per Box
- Model A = \$ 65.75 each post
 - Model B = \$ 70.75 each post
 - Model C = \$ 68.75 each post

Available in boxes of 3 only

Quick'n easy to install:

- A) Pound stake into ground with stake hammer
Item #7095, page 30
- B) Slide upright portion of post onto top of stake;
- C) Slide cross arm portion into upright until it snaps;
- D) Insert sign pegs in post until they clip, hang sign panel, and then slide rider sign into slot of cross arm.

2 PRODUCT WARRANTY YEARS!*

*Your Imagemaker Signpost warranty covers all defects in materials and workmanship.

The following are not covered by the warranty:

- 1- **Units on which the manufacture date has been defaced, modified or removed.**
- 2- **Damage or deterioration resulting from:**
 - A- Installation or removal of the signpost
 - B- Accident, misuse, abuse, neglect, unauthorized product modification.
 - C- Installation of parts or accessories that do not conform to the quality or specification of the original sign post or accessories

Please Photocopy
AND ATTACH TO ORDER FORM

Yard Signs 60" Sign Post System

ITEM #6005

Model A

Logos



← DBA

← B

24" x 18" - Corrugated Plastic Sign Panel - 4 mm

- Choose from two color schemes!
- 24" x 18" sign panel
- Printed 2 sides
- Imprinted with DBA, phone number and website
- Standard 5 grommets hole pattern

Yard sign printing specifications:

Sign model - A B C

5 grommets or no grommets

To fit Steel Frames

Model B

Logos



← DBA

← B

DIGITAL PRINT

- 6 = \$ 22.75 each
- 12 = \$ 17.00 each
- 25 = \$ 16.55 each

SILK SCREEN PRINT

Model - A & B only

- 50 = \$ 10.75 each
- 100 = \$ 9.25 each

Same sign printed 1 side only

Sign model - A B C

- 6 = \$ 19.60 each
- 12 = \$ 13.95 each
- 25 = \$ 13.35 each

Model C

Logos



← DBA

← B

← C

← D

← E

A) Company Name: **CENTURY 21**

DBA _____

B) Agent Name: _____

C) Title: _____

D) Agent Website or Email Agent Name: _____

E) Agent Phone Number: _____

* Note: For quality purpose, agent photos should be taken at the highest possible resolution, but no less than 5.5" x 5.5" at 300 dpi (dots per inch). Color photos can be used.

**Please Photocopy
AND ATTACH TO ORDER FORM**

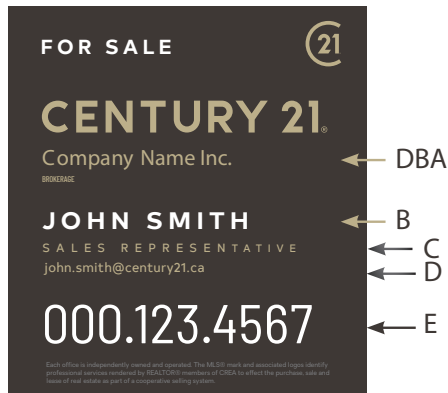
Yard Signs 60" Sign Post System

ITEM #6010

Model A



Model B



Model C



24" x 26" Yard Sign With Associate Identifier

DIGITAL PRINT

DESCRIPTION:

- Printed 2 sides
- 4 mm coroplast office identification sign Imprinted with DBA, Website and phone number
- White coroplast can be translucent in very bright areas

Choose from three color schemes!

Logos



Model A

Model B

Model C

Model D

Model E

- 6 = \$ 27.80 each
- 12 = \$ 22.15 each
- 25 = \$ 20.75 each

Yard sign printing specifications:

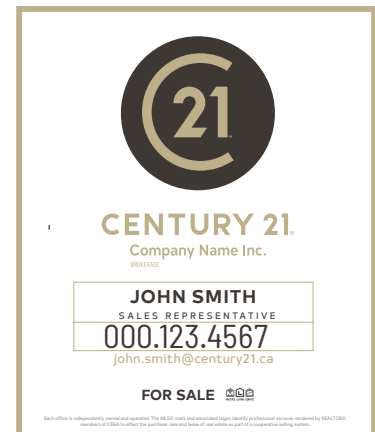
3 grommets or **no grommets**

- A) Company Name: **CENTURY 21**
DBA _____
- B) Agent Name: _____
- C) Title: _____
- D) Agent Website or Email: _____
- E) Agent Phone Number: _____

Model D



Model E



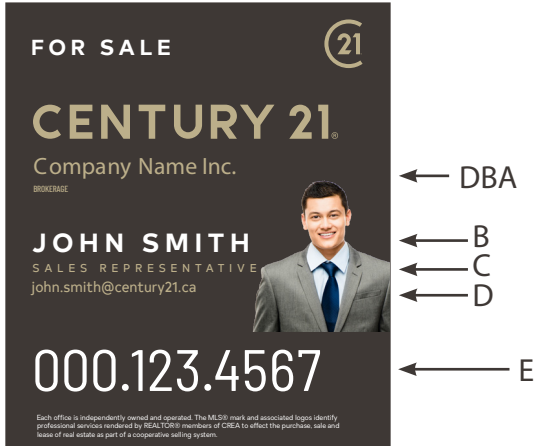
Model D & E also available in kit form.

**Please Photocopy
AND ATTACH TO ORDER FORM**

Yard Signs 60" Sign Post System

ITEM #6015

Model A



24" x 26" - Yard Sign With Associate Identifier & Agent Photo

DIGITAL PRINT

DESCRIPTION:

Yard sign printing specifications:

- 4 mm coroplast office identification sign
- Printed 2 sides

Choose from two photos schemes!

Logos



Model A Model B Model C

• 3 grommets (two (2) on top and one (1) on left side of sign)

6 = \$ 27.80 each

25 = \$ 20.75 each

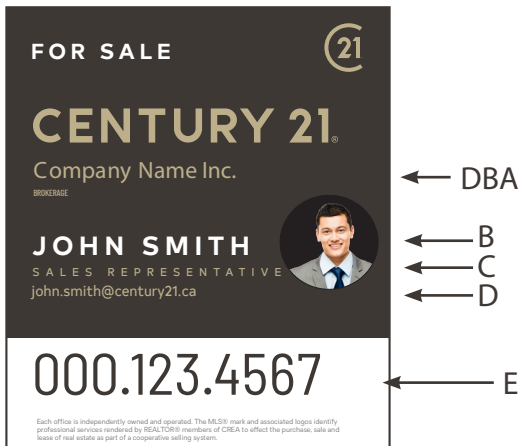
12 = \$ 22.15 each

3 grommets or no grommets

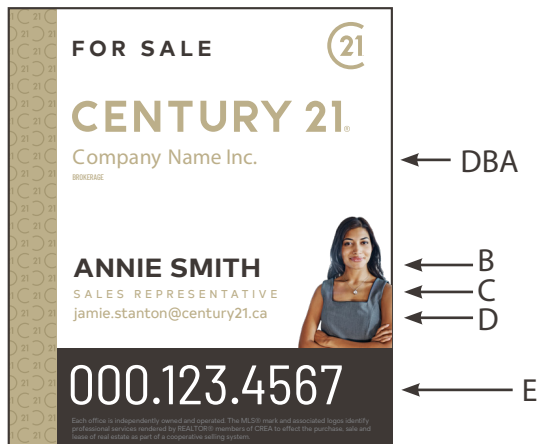
* Note: For quality purpose, agent photos should be taken at the highest possible resolution, but no less than 5.5" x 5.5" at 300 dpi (dots per inch). Color photos can be used.

Photo on file Sending photo by email

Model B



Model C

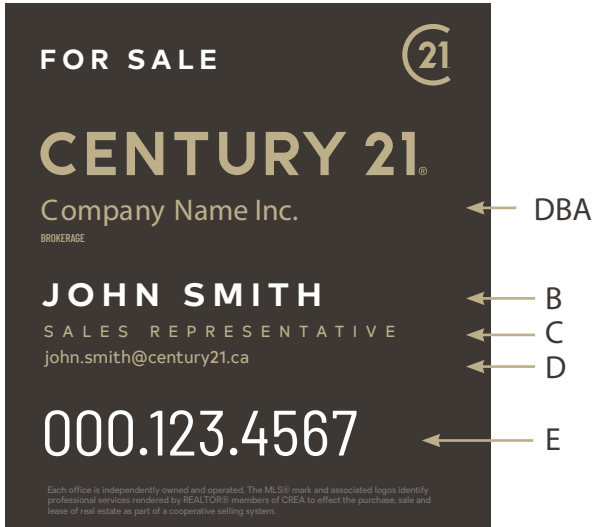


Forward photo in 300 DPI by Email to:
hcssigns@sympatico.ca

Yard Signs 60" Sign Post System

ITEM #6020

Model A



24"x 26" - Yard Sign With Associate Identifier

DESCRIPTION:

- **Printed 1 side only**
- 4 mm coroplast office identification sign Imprinted with DBA, Website and phone number

Choose from two color schemes!

Logos



DIGITAL PRINT

SILK SCREEN PRINT

Model A Model B

15 = \$ 17.70 each

15 = \$ 12.75 each

30 = \$ 17.10 each

30 = \$ 11.10 each

50 = \$ 16.40 each

50 = \$ 12.75 each

A) Company Name: **CENTURY 21**

DBA _____

B) Agent Name: _____

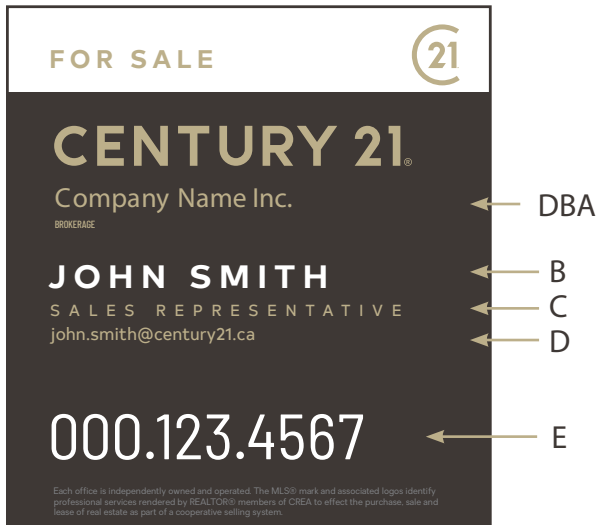
C) Title: _____

D) Agent Website or Email Agent Name: _____

E) Agent Phone Number: _____

ITEM #6025

Model B



24"x 26" Yard sign with associate identifier

DESCRIPTION: DOUBLE

- **2 coroplast signs back to back glued 4 corners**
- 4 mm coroplast office identification sign Imprinted with DBA, Website and phone number

Choose from two color schemes!

Logos



DIGITAL PRINT

SILK SCREEN PRINT

Model A Model B

5 = \$ 34.10 each

25 = \$ 20.70 each

10 = \$ 33.25 each

50 = \$ 18.00 each

A) Company Name: **CENTURY 21**

DBA _____

B) Agent Name: _____

C) Title: _____

D) Agent Website or Email Agent Name: _____

E) Agent Phone Number: _____

Please Photocopy
AND ATTACH TO ORDER FORM

36" Yard Signs

ITEM #6030

Model A



36" x 32" Yard Sign with associate identifier

DESCRIPTION:

- **Printed 2 sides**

Choose from two color schemes!

Imprinted with DBA, Website and phone number

- 4 mm coroplast office & agent identification sign
- 4 grommets (2 on top and 2 on left side)

Logos



DIGITAL PRINT

Model A Model B

5 = \$ 41.75 each

10 = \$ 41.00 each

15 = \$ 40.35 each

SILK SCREEN

Model A

5 = \$ 40.90 each

10 = \$ 34.60 each

15 = \$ 27.00 each

Model B



A) Company Name: **CENTURY 21**

DBA _____

B) Agent Name: _____

C) Title: _____

D) Agent Website or Email: _____

E) Agent Phone Number: _____

* The CENTURY 21 Policy and Procedures Manual requires that brokers use the CENTURY 21 Colonial Post Sign made to Franchise Identification System Specifications unless prohibited from doing so by the client or by law or local ordinance. Yard signs depicted in other formats are offered for your convenience and should only be used when it is not possible to use the Colonial Post Yard Sign.

**Please Photocopy
AND ATTACH TO ORDER FORM**

36" Yard Signs

ITEM #6040

Model A



36" x 24" - Yard Sign

DESCRIPTION:

- **Printed 2 sides**
- Imprinted with DBA, Website and phone number

Choose from two color schemes!

White coroplast can be translucent in very bright areas

Logos



Sign model - A or B

- 4 mm coroplast office identification sign
- 5 grommets (two(2) on top, one (1) left and two (2) on bottom)

Model B



DIGITAL PRINT

- 6 = \$ 34.15 each
- 12 = \$ 31.50 each
- 25 = \$ 29.85 each
- 50 = \$ 29.20 each

SILK SCREEN

- 25 = \$ 18.90 each
- 50 = \$ 17.90 each

Yard sign printing specifications:

5 grommets or no grommets

A) Company Name: **CENTURY 21**

DBA _____

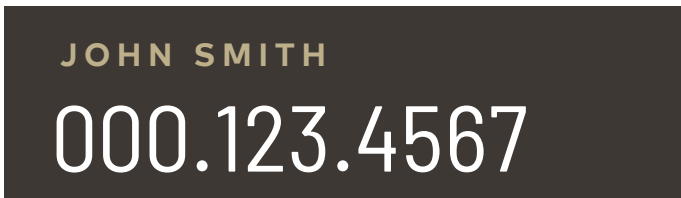
B) Office Phone Number: _____

Please Photocopy
AND ATTACH TO ORDER FORM

36" Yard Signs

ITEM #6045

Model A



Model B



Model C



Model D



36" x 8" Name Rider

DIGITAL PRINT

Description:

- **Printed 2 sides**

- 4 mm coroplast agent identification sign
- 2 grommets (on top or bottom)

Sign model - A or B or C or D

12 = \$ 13.30 each With photo 6" x 6"

25 = \$ 11.90 each

2 grommets Top or Bottom

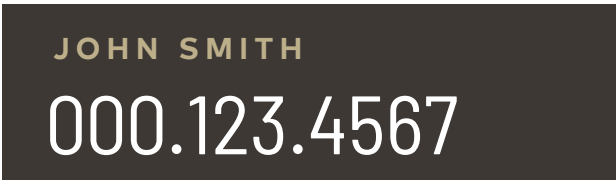
A) Agent Name: _____

C) Agent Phone Number: _____

Personalize Your Rider With a Photo

ITEM #6085

Model A



Model B



Model C



Model D



*Note: For quality purpose, agent photos should be taken at the highest possible resolution, but no less than 5.5" x 5.5" at 300 dpi (dots per inch). Color photos can be used.

Please E-mail photo to: hcssigns@sympatico.ca

Please Photocopy
AND ATTACH TO ORDER FORM

24" x 6 - Agent Name Riders

DIGITAL PRINT

Description:

- Printed 2 sides
- 4 mm coroplast agent identification sign

Model A

12 = \$ 9.45 each

25 = \$ 8.00 each

2 grommets:

Top or Bottom

Center print for steel frames

24" x 8 - Agent Name Riders

Description:

- Printed 2 sides
- 4 mm coroplast agent identification sign

Model A Model B Model C Model D

12 = \$ 10.70 each With photo 5.5" x 5.5"

25 = \$ 9.30 each

2 grommets:

Top or Bottom

Sign Printing specifications:

A) Agent Name: _____

C) Agent Phone Number: _____

Photo on file

Sending photo by email

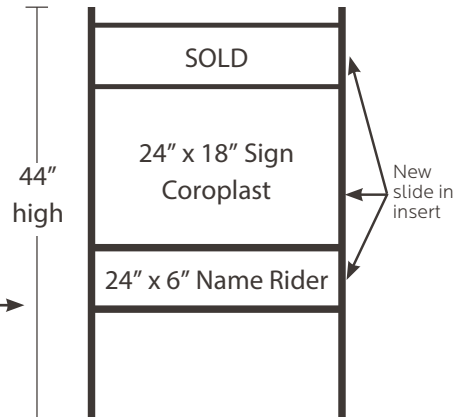
Complete Steel Frame Kit

ITEM #6075

SPECIAL

- (ITEM 6075) A) 8 STEEL FRAMES
- (ITEM 6005) B) 8 YARD SIGNS 24" x 18"
- (ITEM 6085) C) 8 NAME RIDERS 24" x 6"
- (ITEM 6090) D) 4 "NEW PRICE" 24" x 6"
- (ITEM 6090) E) 4 "OPEN SUNDAY 2 TO 4 P.M." 24" x 6"
- (ITEM 6090) F) 4 "SOLD" 24" x 6"

Logos



Choose from two color schemes! DIGITAL PRINT

Model A



Model B



Model C



Model A Model B Model C

A) Company Name: **CENTURY 21**

DBA _____

B) Office Phone number: _____

NAME RIDER

C) Agent Name: _____

D) Title: _____

E) Agent Phone Number: _____

Frame Item #7080 / see page 31

A value of \$ 754.65
for only **\$710.00**

* The CENTURY 21 Policy and Procedures Manual requires that brokers use the CENTURY 21 Colonial Post Sign made to Franchise Identification System Specifications unless prohibited from doing so by the client or by law or local ordinance. Yard signs depicted in other formats are offered for your convenience and should only be used when it is not possible to use the Colonial Post Yard Sign.

**Please Photocopy
AND ATTACH TO ORDER FORM**

Commercial Signs

ITEM #6070

Model A



Model B



60" x 48" Extra Large Yard Sign

LARGE, ONE SIDED COROPLAST SIGN IDEAL FOR INDUSTRIAL, COMMERCIAL BUILDINGS, OPEN LOTS, ACREAGE.

DIGITAL PRINT

Ready to install on buildings, etc. Coroplast signs are inexpensive to ship and easy to install.

Signs should be supported with wooden frame (1" x 3" furring).

DESCRIPTION:

- Printed one sided
- 6 mm coroplast office identification sign.

Model A

Model B

1 = \$ 145.00 each

3 = \$ 137.00 each

6 = \$ 124.50 each

YARD SIGN PRINTING SPECIFICATIONS:

- A) Company Name: **CENTURY 21**
- DBA _____
- B) Website: _____
- C) Office Phone Number: _____
- D) Agent name: _____
- E) Title: _____
- F) Agent Phone Number: _____
- G) Agent Website or Email: _____

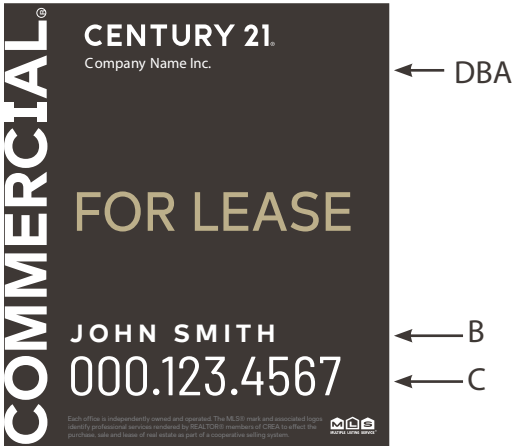
Your Sign Message: _____

**Please Photocopy
AND ATTACH TO ORDER FORM**

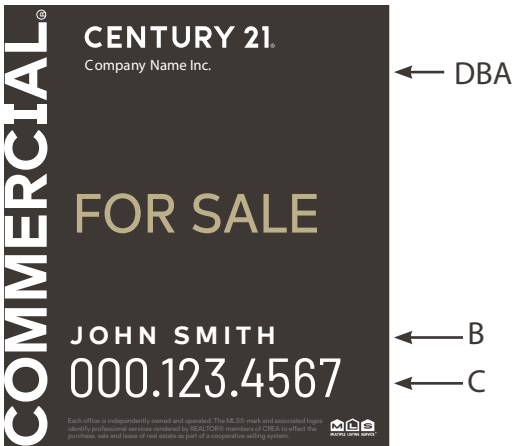
Yard Signs 60" Sign Post System

ITEM #6060

Model A



Model B



24" x 26" - Commercial Yard Sign With Associate Identifier **DIGITAL PRINT**

DESCRIPTION:

- Printed 2 sides
- 4 mm coroplast office identification sign
- Imprinted with DBA and phone number

Model A Model B

3 = \$ 32.00 each

6 = \$ 27.80 each

12 = \$ 22.15 each

3 grommets or no grommets

Yard Sign Printing Specificaitons:

A) Company Name: **CENTURY 21**

DBA _____

B) Agent Name: _____

C) Agent Phone Number: _____

Model A



24" x 8 -Message Riders **DIGITAL PRINT**

Description:

2 grommets: Top or Bottom

Model A

3 = \$ 19.25 each 6 = \$ 16.45 each 12 = \$13.65 each

Your Sign Message: _____

Please Photocopy
AND ATTACH TO ORDER FORM

Commercial Signs

ITEM #6065

Model A



← DBA

← B

← C

48" x 48" - Large Yard Sign

LARGE, PRINTED ON ONE SIDE COROPLAST SIGN IDEAL FOR INDUSTRIAL, COMMERCIAL BUILDINGS, OPEN LOTS AND ACREAGE.

DIGITAL PRINT

Ready to install on buildings, etc. Coroplast signs are inexpensive to ship and easy to install. Signs should be supported with wooden frame (1" x 3" furring).

DESCRIPTION:

- Printed 1 side only
- 6 mm coroplast office identification sign

Model B



← DBA

← B

← C

48" x 48" - with upper message

Model A Model B

1 = \$ 147.00 each

3 = \$ 133.00 each

5 = \$ 114.80 each

Your Sign Message: _____

A) Company Name: **CENTURY 21**

DBA _____

B) Agent Name: _____

C) Agent Phone Number: _____

Please Photocopy
AND ATTACH TO ORDER FORM

Commercial Signs

ITEM #6072

Model A



Model B



60" x 48" Extra Large Yard Sign

LARGE, ONE SIDED COROPLAST SIGN IDEAL FOR INDUSTRIAL, COMMERCIAL BUILDINGS, OPEN LOTS, ACREAGE.

DIGITAL PRINT

Ready to install on buildings, etc. Coroplast signs are inexpensive to ship and easy to install.

Signs should be supported with wooden frame (1" x 3" furring).

DESCRIPTION:

- Printed one sided
- 6 mm coroplast office identification sign.

Model A Model B

2 = \$ 165.20 each

3 = \$ 152.60 each

6 = \$ 145.60 each

YARD SIGN PRINTING SPECIFICATIONS:

- A) Company Name: **CENTURY 21**
 DBA _____
 D) Agent name: _____
 F) Agent Phone Number: _____
 G) Agent Website or Email: _____

Your Sign Message: _____

Please Photocopy
AND ATTACH TO ORDER FORM

Main Post 60", Cross Arm 36"

ITEM #6050

Model A



24" x 32" Fine Home & Estates Yard Sign
DIGITAL PRINT

DESCRIPTION:

- 4 mm coroplast office identification sign.
- Imprinted with DBA, Website and phone number

Model A

- 3 = \$ 34.80 each 4 grommets
- 6 = \$ 32.90 each No grommets
- 12 = \$ 30.40 each

Riders 24" x 8 - Die-Cut

- 3 = \$ 21.00 each



ITEM #6055



SPECIAL

COMPLETE FINE HOMES & ESTATES SIGN POST KIT
DIGITAL PRINT

DESCRIPTION:

- A) 3 IMAGE MAKER 60" BLACK SIGN POSTS complete with ground stakes & 3 extra pegs
- B) 3 Yard signs (24" x 32")
- C) 3 Personalized riders with photo



Forward photo in 300 DPI by e-mail to : hcssigns@sympatico.ca

- Photo on file Sending photo by email

Logos



Company Name: **CENTURY 21**

- A) DBA _____
- B) Agent name: _____
- C) Agent Phone Number: _____
- D) Agent Website or Email: _____

**Please Photocopy
AND ATTACH TO ORDER FORM**

60" Sign post system

CENTURY 21

SPECIAL

COMPLETE SIGN POST KIT

ITEM #9000



Model A **DIGITAL PRINT**

DESCRIPTION:

- A) 6 IMAGE MAKER 60" SIGN POSTS
complete with ground stakes & pegs
- B) 6 Yard signs (24" x 26") with associated identifier
- C) 12 Message riders (24" x 6")
 - 3 "NEW PRICE"
 - 3 "Open Sunday 2 to 4 p.m."
 - 3 "JUST LISTED"
 - 3 "SOLD"

- Photo on file*
- Sending photo by email*

Logos



Company Name: **CENTURY 21**

- A) DBA _____
- B) Agent name: _____
- C) Title: _____
- D) Agent Phone Number: _____
- E) Agent Email: _____
- F) Agent Website: _____

* Note: For quality purpose, agent photos should be taken at the highest possible resolution, but no less than 5.5" x 5.5" at 300 dpi (dots per inch). Color photos can be used.

Please E-mail photo to: hcssigns@sympatico.ca

A value of \$ 640.80
for only **\$ 595.00**

* The CENTURY 21 Policy and Procedures Manual requires that brokers use the CENTURY 21 Colonial Post Sign made to Franchise Identification System Specifications unless prohibited from doing so by the client or by law or local ordinance. Yard signs depicted in other formats are offered for your convenience and should only be used when it is not possible to use the Colonial Post Yard Sign.

Please Photocopy
AND ATTACH TO ORDER FORM

60" Sign post system

SPECIAL

COMPLETE SIGN POST KIT

Model B **DIGITAL PRINT**

DESCRIPTION:

- A) 6 IMAGE MAKER 60" SIGN POSTS
complete with ground stakes & pegs
- B) 6 Yard signs (24" x 26") with associated identifier
- C) 12 Message riders (24" x 6")
 - 3 "NEW PRICE"
 - 3 "Open Sunday 2 to 4 p.m."
 - 3 "JUST LISTED"
 - 3 "SOLD"

- Photo on file* Sending photo by email*

Logos



Company Name: **CENTURY 21**

- A) DBA _____
- B) Agent name: _____
- C) Title: _____
- D) Agent Phone Number: _____
- E) Agent Email: _____
- F) Agent Website: _____

* Note: For quality purpose, agent photos should be taken at the highest possible resolution, but no less than 5.5" x 5.5" at 300 dpi (dots per inch). Color photos can be used.

Please E-mail photo to: hcssigns@sympatico.ca

ITEM #9000



A value of \$ 670.80
for only **\$ 630.00**

* The CENTURY 21 Policy and Procedures Manual requires that brokers use the CENTURY 21 Colonial Post Sign made to Franchise Identification System Specifications unless prohibited from doing so by the client or by law or local ordinance. Yard signs depicted in other formats are offered for your convenience and should only be used when it is not possible to use the Colonial Post Yard Sign.

Please Photocopy
AND ATTACH TO ORDER FORM

60" Sign post system

ITEM #9000



A value of \$ 658.55
for only **\$615.00**

SPECIAL

COMPLETE SIGN POST KIT

Model C DIGITAL PRINT

DESCRIPTION:

- A) 6 IMAGE MAKER 60" SIGN POSTS
complete with ground stakes & pegs
- B) 6 Yard signs (24" x 26") with associated identifier
- C) 12 Message riders (24" x 6")
 - 3 "NEW PRICE"
 - 3 "Open Sunday 2 to 4 p.m."
 - 3 "JUST LISTED"
 - 3 "SOLD"

- Photo on file*
- Sending photo by email*

Logos



Company Name: **CENTURY 21**

- A) DBA _____
- B) Agent name: _____
- C) Title: _____
- D) Agent Phone Number: _____
- E) Agent Email: _____
- F) Agent Website: _____

* Note: For quality purpose, agent photos should be taken at the highest possible resolution, but no less than 5.5" x 5.5" at 300 dpi (dots per inch). Color photos can be used.

Please E-mail photo to: hcssigns@sympatico.ca

* The CENTURY 21 Policy and Procedures Manual requires that brokers use the CENTURY 21 Colonial Post Sign made to Franchise Identification System Specifications unless prohibited from doing so by the client or by law or local ordinance. Yard signs depicted in other formats are offered for your convenience and should only be used when it is not possible to use the Colonial Post Yard Sign.

Please Photocopy
AND ATTACH TO ORDER FORM

ITEM #6090

Model A

FOR SALE

Model B

OPEN HOUSE

Model C

SOLD

Model D

SOLD

Special Features And Activities **SILK SCREEN PRINT**

DESCRIPTION:

- Printed 2 sides
- 4 mm coroplast sign riders.

White coroplast can be translucent in very bright areas

NOTE: Minimum of 12 signs, **no mixing.**

Model A Model B Model C Model D

Sign no. _____ Quantity _____

Description _____

Sign size: 24" x 6" 36" x 8"

• 2 grommets:

Top Bottom Center print for steel frames

24" x 6"

100 = \$ 4.40 each

50 = \$ 5.05 each

25 = \$ 6.00 each

12 = \$ 6.60 each

36" x 8"

100 = \$ 5.60 each

50 = \$ 6.15 each

25 = \$ 6.70 each

12 = \$ 7.90 each

7 0 0	COMMERCIAL	7 1 2	OPEN →	7 2 3	OPEN HOUSE	7 3 8	OPEN SUNDAY 2-4	7 5 1	MUST SEE INSIDE!
7 0 1	OFFICE	7 1 3	AUCTION	7 2 4	FOR LEASE	7 4 0	MODEL OPEN →	7 5 2	NEW PRICE!
7 0 2	3 BEDROOM	7 1 4	→	7 2 7	LOT	7 4 1	FARM	7 5 3	OPEN SUNDAY 1-3
7 0 5	LAKEFRONT	7 1 5	OPEN SUNDAY 1-4	7 2 8	SALE PENDING	7 4 2	OPEN SATURDAY	7 5 4	OPEN SAT. ____ TO ____
7 0 6	SWIMMING POOL	7 1 6	FOR SALE	7 2 9	RENTALS	7 4 3	OPEN SUNDAY	7 5 6	LAKE RIGHTS
7 0 7	BY APPT. ONLY	7 1 7	OWNER FINANCE	7 3 0	WATERFRONT	7 4 4	SOLD BUT WE HAVE OTHERS	7 5 7	LOT # _____
7 0 8	SOLD	7 1 8	EXCLUSIVE	7 3 1	INCOME PROPERTY	7 4 5	ACREAGE	7 5 8	NEW LISTING
7 0 9	2 FAMILY	7 1 9	LOTS	7 3 2	OPEN HOUSE →	7 4 8	DUPLEX	7 5 9	IN CONTRACT
7 1 0	4 BEDROOM	7 2 0	PRICE REDUCED	7 3 3	FOR RENT	7 4 9	HOME FOR SALE →	7 6 0	MULTI-FAMILY
7 1 1	_____ ACRES	7 2 2	AVAILABLE	7 3 5	BUILT TO SUIT	7 5 0	HOME WARRANTY	7 6 1	CONDO

FAX US YOUR PRINT AND SIZE FOR A PRICE QUOTE

ITEM #6095

CUSTOM VINYL GRAPHIC STICKERS

Black sticker, white lettering Size of Sticker: _____

White sticker, black lettering

Transparent sticker, white or black lettering

Message print: _____

ITEM #7000

WHITE OR BLACK STICKERS WITH BLACK OR WHITE LETTERING

SIZE	QUANTITY			
	15	25	50	100
<input type="checkbox"/> 15" X 3"	\$4.40 each	\$3.30 each	\$2.95 each	\$2.00 each
<input type="checkbox"/> 21" X 3"	\$4.95 each	\$3.75 each	\$3.40 each	\$2.85 each

Message print: _____

ITEM #7005

TRANSPARENT STICKERS WITH WHITE OR BLACK LETTERING

SIZE	QUANTITY			
	15	25	50	100
<input type="checkbox"/> 15" X 4"	\$5.10 each	\$3.75 each	\$3.30 each	\$2.60 each

Message print: _____

ITEM #7010

EXTRA LARGE PERSONALIZED STICKERS

SIZE	QUANTITY	
	15	25
<input type="checkbox"/> 24" X 7.5"	\$7.70 each	\$9.70 each

Message print: _____

**Please Photocopy
AND ATTACH TO ORDER FORM**

ITEM #7015

Model A



24" x 18" Open House Signs

DIGITAL PRINT

DESCRIPTION:

- Printed 1 side only
- 4 mm coroplast sign
- White coroplast can be translucent in very bright areas

Minimum order = 12

Specify:

MODEL A

FOR SALE → QTY: ____ ← QTY: ____

OPEN HOUSE → QTY: ____ ← QTY: ____

12 = \$ 13.95 each 50 = \$ 12.65 each

24 = \$ 13.35 each

Yard Sign Printing Specifications:

A) Company Name: **CENTURY 21**

DBA _____

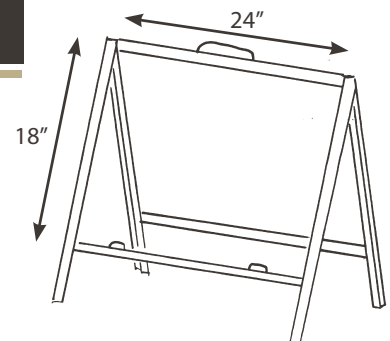
B) Agent name: _____

C) Agent Phone Number: _____

D) Agent website or Email: _____

ITEM #7070

page 27



Please Photocopy
AND ATTACH TO ORDER FORM

ITEM #7015

Model B



24" x 18" Open House Signs
DIGITAL PRINT

DESCRIPTION:

- Printed 1 side only
 - 4 mm coroplast sign
- White coroplast can be translucent in very bright areas

Minimum order = 12

Specify:

MODEL B

- FOR SALE → QTY: _____ ← QTY: _____
 OPEN HOUSE → QTY: _____ ← QTY: _____
 12 = \$ 13.95 each 50 = \$ 12.65 each
 24 = \$ 13.35 each

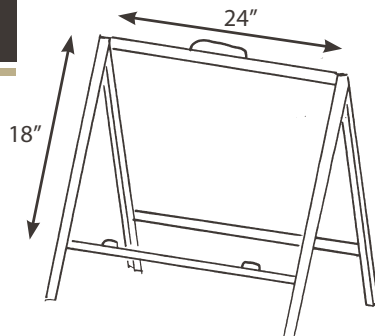


Yard Sign Printing Specifications:

- A) Company Name: **CENTURY 21**
 DBA _____
 B) Agent name: _____
 C) Agent Phone Number: _____
 D) Agent website or Email: _____

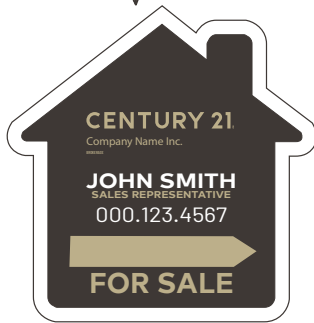
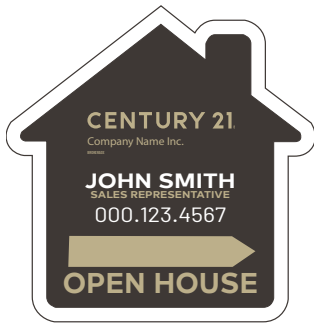
ITEM #7070

page 31



Please Photocopy
AND ATTACH TO ORDER FORM

ITEM #7051



Little House die-cut sign 18" X 18" Directional sign with step stake

DESCRIPTION: **DIGITAL PRINT**

- Printed
- 2 X 4 mm coroplast signs glued back to back
- Includes step stake, nuts and bolts
- Weight: 4.75 pounds each

SIGN PRINTING SPECIFICATIONS:

- A) Company Name: **CENTURY 21**
DBA _____
- B) Agent name: _____
- C) Title: _____
- D) Agent Phone Number: _____

Specify: **OPEN HOUSE** **FOR SALE**

- 10 = \$ 35.00 each
- 15 = \$ 33.50 each
- 25 = \$ 32.00 each

ITEM #7052



20 = \$ 11.70 each
**Minimum order
10 per direction**

Single sided directional signs

DESCRIPTION:

- 1 X 4 mm coroplast sign
- Printed 1 side only

SIGN PRINTING SPECIFICATIONS:

- A) Company Name: **CENTURY 21**
DBA _____
- B) Agent name: _____
- C) Title: _____
- D) Agent Phone Number: _____

Indicate direction of arrow:

Arrow right \longrightarrow QTY: _____

Arrow left \longleftarrow QTY: _____

Specify: **OPEN HOUSE** **FOR SALE**

Please Photocopy
AND ATTACH TO ORDER FORM

and Stakes

ITEM #7035

Model A



Model B



- 10 = \$ 28.00 each
- 15 = \$ 27.00 each
- 25 = \$ 26.00 each



24" x 12" - Directional Sign With Step Stake

DESCRIPTION: **DIGITAL PRINT**

- 2 X 4 mm coroplast signs glued back to back
- Includes step stake, nuts and bolts
- Imprinted with DBA and Agent identifier
- Weight: 4.75 lbs each

Choose from two color schemes!

Model A Model B

Specify: OPEN HOUSE FOR SALE
AGENT PHOTO ADRESS

SIGN PRINTING SPECIFICATIONS:

- A) Company Name: **CENTURY 21**
DBA _____
- B) Agent Name: _____
- C) Title: _____

ITEM #7040

Model A



Model B



- 20 = \$ 9.10 each
- 30 = \$ 8.50 each
- 50 = \$ 8.00 each

24" x 12" - Single Sided Directional Sign

DESCRIPTION: **DIGITAL PRINT**

- 1 X .150" coroplast sign
- Printed one side only
- Imprinted with DBA and Agent identifier

Choose from two color schemes!

Model A Model B

Specify: OPEN HOUSE FOR SALE

Indicate direction of arrow:

Arrow Right QTY: _____

Arrow Left QTY: _____

- A) Company Name: **CENTURY 21**
DBA _____
- B) Agent Name: _____
- C) Title: _____

Please Photocopy
AND ATTACH TO ORDER FORM

ITEM #7025



Model A



Model B



- 10 = \$ 27.00 each
- 15 = \$ 26.50 each
- 25 = \$ 25.00 each

24" x 8" Directional Sign With Step Stake

DESCRIPTION: DIGITAL PRINT

- 2 X 4 mm coroplast signs glued back to back
- Printed one side only
- Includes step stake, nuts and bolts
- Weight: 3.75 lbs each

Choose from two color schemes!

White coroplast can be translucent in very bright areas

Model: A **B**

Specify: OPEN HOUSE **FOR SALE**

SIGN PRINTING SPECIFICATIONS:

- A) Company Name: **CENTURY 21**
DBA _____
- B) Agent name: _____
- C) Agent Phone Number: _____

ITEM #7030

Model A



Model B



- 20 = \$ 7.00 each
- 30 = \$ 6.75 each
- 50 = \$ 6.65 each

No mixing

*** SAME SIGN PRINTED 2 SIDES:**

- 10 = \$ 13.90 each
- 15 = \$ 12.60 each
- 25 = \$ 11.90 each

24" x 8" Directional sign

DESCRIPTION: DIGITAL PRINT

- 4 mm coroplast sign
- Printed one side only

SIGN PRINTING SPECIFICATIONS:

- A) Company Name: **CENTURY 21**
DBA _____
- B) Agent name: _____
- C) Agent Phone Number: _____

B) Specify: Minimum 10 each direction

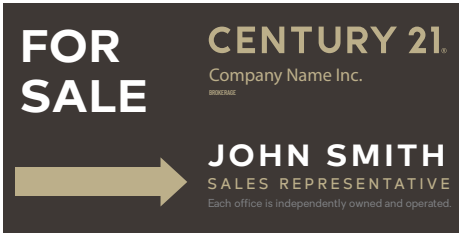
Model: A OPEN HOUSE QTY: _____ QTY: _____

Model: B FOR SALE QTY: _____ QTY: _____

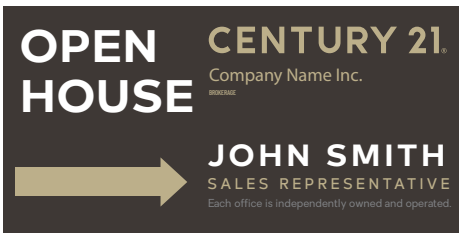
Please Photocopy
AND ATTACH TO ORDER FORM

ITEM #7055

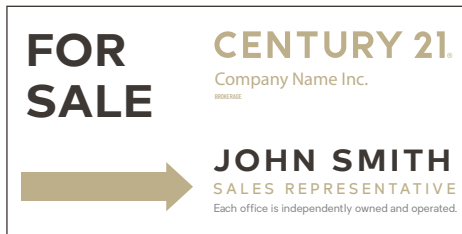
Model A



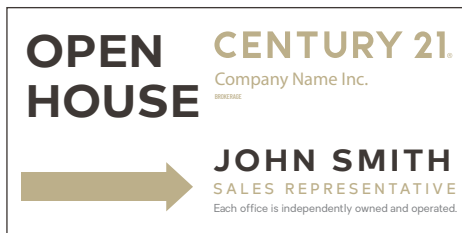
Model B



Model C



Model D



24" X 12" Directional sign with wire stakes

DESCRIPTION: **DIGITAL PRINT**

- Printed 2 sides
- With 30" galvanized wire stakes
- Use the lightweight, moisture proof, 4 mm corrugated plastic signs where cost is a factor. They will fit our H-Frame Wire Stake (sold separately). Signs are available with vertical flutes only and are printed on both sides. Personalized at no extra charge
- Weight: 4.75 pounds each

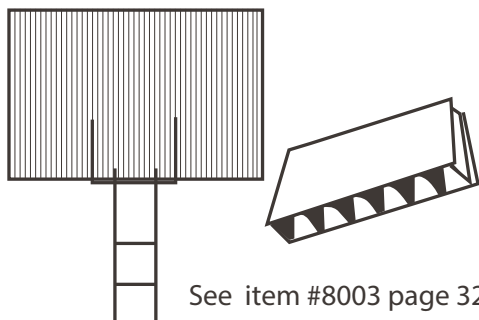
YARD SIGN PRINTING SPECIFICATIONS:

- A) Company Name: **CENTURY 21**
- B) DBA: _____
- C) Title: _____
- D) Agent name: _____
- E) Agent Phone Number: _____

Specify: **OPEN HOUSE** or **FOR SALE**

Model A **Model B** **Model C** **Model D**

- 12 Directional signs & stakes = \$ 18.35 each
- 24 Directional signs & stakes = \$ 17.75 each
- 36 Directional signs & stakes = \$ 16.90 each



See item #8003 page 32

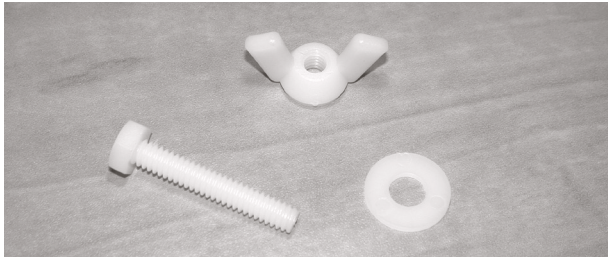
Galvanized Wire Stake

- 10" X 30" galvanized stake
- 1/8" Wire construction
- For use with 4mm Corrugated sign panels
- Affordable and easy to use

**PLEASE PHOTOCOPY
AND ATTACH TO ORDER FORM**

ITEM #7060

Step Stake Nuts And Bolts



1 Bag =
10 bolts
10 wing nuts
20 washers

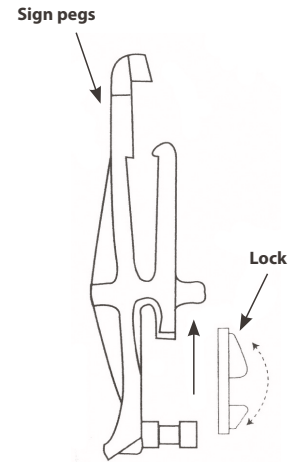
PRICE: \$4.25 each bag

ITEM #7065

Sign Pegs

DESCRIPTION:

- Plastic Sign Holder Pegs
- Packages of 9

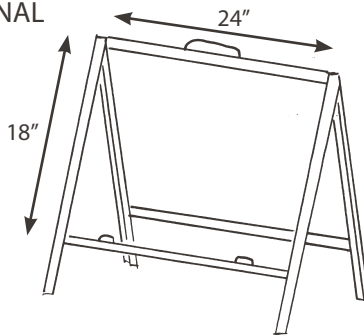


PRICE: \$18.00 per bag

ITEM #7070

A-Frame or Tent Frame

DESCRIPTION: Powder coated For OPEN HOUSE, FOR SALE and DIRECTIONAL



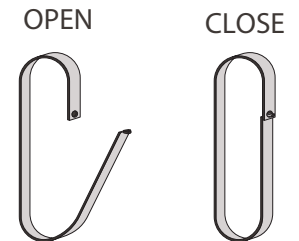
PRICE: Available only in boxes of 4: **\$ 39.00 each frame**

ITEM #7075

Rider Sign Hanger Clips

DESCRIPTION:

- 100% Stainless Steel Clips, For Hanging Name Rider Signs
- 36 clips per bag



PRICE: \$26.60 per bag

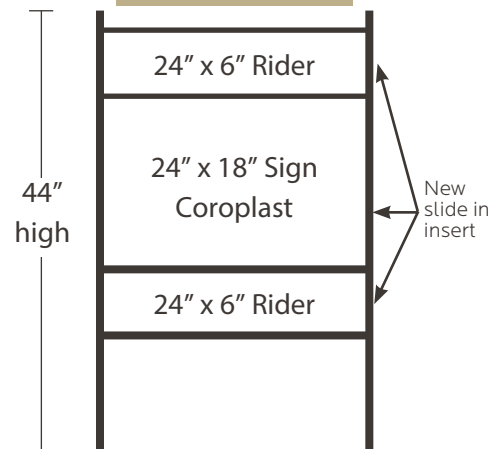
ITEM #7080

Residential Steel Yard Frame

NO INSTALLER NECESSARY
QUICK AND EASY TO INSTALL

- Accomodates our 24" x 18" 4 mm Coroplast sign (Item #6005) and has special feature for holding sign riders 24" x 6"
- Black powder coat
- 3/4" Steel angle frame

QTY	4-20	24-100
PRICE	\$52.00 each frame	\$ 49.00 each frame



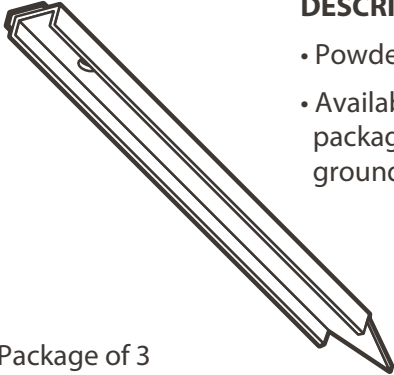
Please Photocopy
AND ATTACH TO ORDER FORM

ITEM #7085

Extra Yard Sign Ground Stakes

DESCRIPTION:

- Powder coated
- Available only in a packages of 3 ground stakes



Package of 3

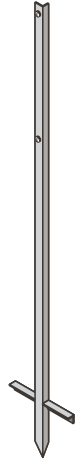
PRICE: \$35.15 per package

ITEM #7090

Step Stakes

DESCRIPTION:

- Step Stake 48"
- Weight: 2.75 lbs each
- (minimum order of 5)
- Includes nylon nuts, bolts and washers
- Powder coated



5 per box

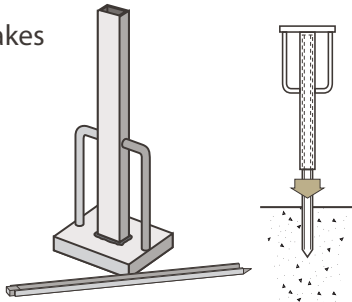
PRICE: \$67.50 per box

ITEM #7095

Stake Hammer

DESCRIPTION:

- For installing sign stakes
- Avoid flaring top of steel stakes
- Weight: 15 lbs.
- Powder coated



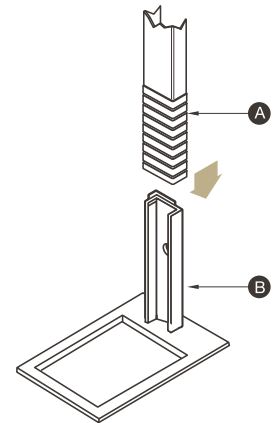
PRICE: \$ 48.00 each

ITEM #8000

Portable Display Base

DESCRIPTION:

- Office sign and post display
- To be used for display or office special events.
- Powder coated



PRICE: \$46.50 each

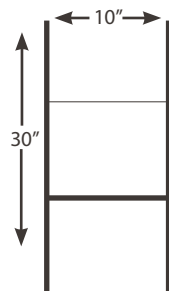
ITEM #8003

Quick-Up Coro Stakes

DESCRIPTION:

- 1/8" Galvanized Wire Stakes
- (12 wire stakes per box)

PRICE: \$ 37.00 each
per box



Promotion Products

Pins

D= 30mm = 1.25"

ITEM #8005

DESCRIPTION:

- Black background with gold logo
- Anti-swivel bracket

QTY	10-100	101-500
PRICE	\$ 2.25	\$ 2.00

Front



Back



Umbrella

ITEM #8010

DESCRIPTION:

32" rib length, 64" arc

- Huge 64" umbrella
- 190T eight-panel polyester umbrella
- 14 mm black fiberglass shaft and 4 mm fiberglass ribs
- Black plastic top and metal tips
- Matching coloured PVC grip handle
- Manual open with hook fastener tie closure
- Wind proof
- Plenty of room two or three people

SP PP PS – 11" W x 10" H (panel)

PRICE: \$21.00 each

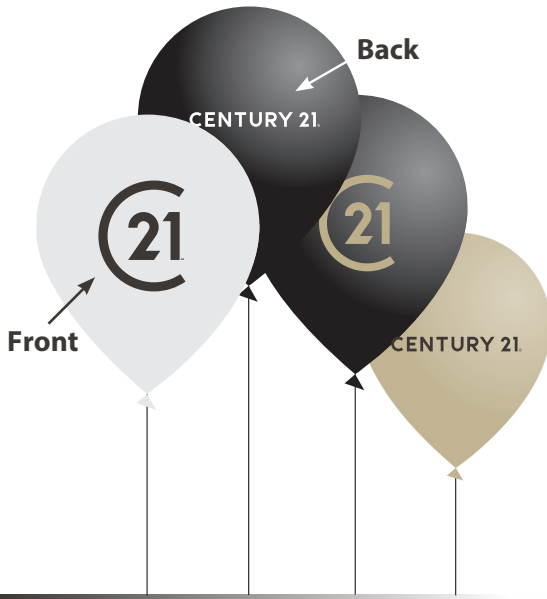


**NEW!
LARGER AND IMPROVED!**

Please Photocopy
AND ATTACH TO ORDER FORM

Promotion Products

ITEM #8015



Balloons

DESCRIPTION:

- Black or white 12" balloons with Century 21 logo printed 2 sides
- Helium quality pure latex

QTY	250	500	1000
PRICE	\$ 70.00	\$ 140.00	\$ 275.00

- Black Balloon, white writting
- White Balloon, black writting
- Black Balloon, gold writting
- Gold Balloon, black print

ITEM #8020



Teddy Bear

DESCRIPTION:

- High quality stuffed bear wearing a black t-shirt with imprint of Century 21 logo

SIZE: 8" x 11"

PRICE: \$15.00 each

Please Photocopy
AND ATTACH TO ORDER FORM

Promotion Products

ITEM #8025

Zippered Legal Portfolio

DESCRIPTION:

- Koskin material
- Three-sided zipper closure
- Full-length outside zippered pocket
- Inside compartment for CD's and DVD's accordion pocket for files
- Inside zippered pocket
- Century 21 gold logo

PRICE: \$27.90 each

- Left front pocket center (4"x 8")
- Top front pocket center (8"x 4")
- Left front pocket center (3"x 6")
- Top pocket center (6"x 3")



Ultrasonic Range Finder

Realtors convenient distance measuring tool

- Automatic conversion between imperial & metric units with the push of a single button
- Measuring range 0.3 - 15 m or 1 foot - 50 feet

PRICE: \$29.99 each

ITEM #8030



Please Photocopy
AND ATTACH TO ORDER FORM

Promotion Products

ITEM #8040



Desktop signs Colonial Post Business card holder*

DESCRIPTION:

- The best business card holder you will ever have!
- Sturdy colonial post mounted on a PVC base
- Great for open houses, incentives, rewards or gifts
- Each unit comes complete with both "Sold" top rider and "Vendu" top rider

SIZE: 12" high x 8" wide

PRICE: \$8.00 each

* Until depletion of stock, all items will be sold with the slogan «The Local Experts»™.
– New CENTURY 21 slogan will be Connected to More»™.

REDUCED PRICE WHILE QUANTITIES LAST

ITEM #8045



Licence Plate Frames*

DESCRIPTION:

- Black PVC frames with gold print
- Top print: "Connected to More"™*
- Bottom print: "CENTURY 21"

PRICE: \$2.00 each

* Until depletion of stock, all items will be sold with the slogan «The Local Experts»™.
– New CENTURY 21 slogan will be Connected to More»™.

Please Photocopy
AND ATTACH TO ORDER FORM

Promotion Products

ITEM #8035

Model A



Model B



Model C



Model D



Model E



Model F



Feather flag

DESCRIPTION:

- Made with polyester material
- Double stucked pole pocket
- Fits poles up to 3/4"
- Height: 86"
- Widht: 28.5"
- Weight: 4 lbs.



Specify:

- MODEL A**
 MODEL B
 MODEL C
MODEL D
 MODEL E
 MODEL F

Feather Flag Kit includes

- 1 Feather Flag
- 1 Feather Flag with pole
- 1 Carring Bag
- Printed 1 side

Yard Sign Printing Specifications:

- A) Company Name: **CENTURY 21**
 DBA _____
 B) Agent Name: _____
 C) Agent Phone Number: _____

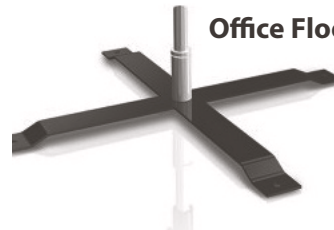
Forward photo in 300 DPI by Email to:
hcssigns@sympatico.ca

EXTRA

ITEM #8036

Feather Flag

Office Floor Base \$ 75.00 each



ITEM #8037

Feather Flag

Ground Stake \$ 39.00 each

Please Photocopy
 AND ATTACH TO ORDER FORM

1699 Station Street, Mascouche, QC J7L 2J6
T. 450 477-2828 | F. 450 477-6819 | hcssigns@sympatico.ca

HOW TO ORDER:

1. Photocopy catalogue page
2. Complete order form
3. Order directly by sending the order form via mail, fax or Email.
4. Orders must be accompanied by payment to begin processing.

ORDER FORM:

Terms:
You may pay for your merchandise by Visa, MasterCard or American Express. Check or money order in full (including shipping and applicable sales/tax). Shipping charges will automatically be added on charge card orders. When ordering by check or money order, and you would like to prepay shipping charges, you may call for exact freight charges. No C.O.D.'s accepted. Our minimum order is \$40.00. Prices subject to change without notice. Home Colonial Signs Post is not responsible for following individual local or municipal sign restrictions and specifications. If your area has specific sign codes or restrictions you must inform us in writing at the time you place your order.

Sales/Tax:
The appropriate tax will be added to all orders shipped.

Returns:
Merchandise can not be returned without written permission. No refunds can be given on personalized merchandise. All returned merchandise must be shipped freight prepaid.

Company name: **CENTURY 21** _____

Address: _____

City: _____ Province: _____

Postal code: _____

Telephone: (____) _____ Fax: (____) _____

Card holder name: _____

Credit card number: _____ Expiry date: M / Y _____

Visa
 Mastercard
 American Express
 Check

Card holder signature: _____

FOR EXACT PRINTING DETAILS, SEE MODELS ON APPROPRIATE PAGES AND PHOTOCOPY

QTY	ITEM NO	SIZE	DESCRIPTION	EACH	TOTAL

SHIPPING AND BILLING CHARGES:
Shipping charges will automatically be included on charge card orders. When ordering by check or money order, and would like to prepay shipping charges, you may call for exact freight charges.

Total Price of items _____
(see shipping charge information) Shipping Charges _____
Total amount of Order _____
H.S.T. or G.S.T. (Canadian Customers Only) _____

NEED A CATALOGUE?
Download it from our website homecolonialsignpost.com

TOTAL _____
Québec clients, add Q.S.T. _____
GRAND TOTAL _____

**Please Photocopy
AND ATTACH TO ORDER FORM**





SOLD

FOR SALE BY
CENTURY 21
Company Name Inc.
JOHN SMITH
000.123.4567

SOLD

FOR SALE BY
CENTURY 21
Company Name Inc.
JOHN SMITH
000.123.4567

SOLD

FOR SALE BY
CENTURY 21
Company Name Inc.
JOHN SMITH
000.123.4567

VISA



AMERICAN EXPRESS

1699 Station Street, Mascouche, QC J7L 2J6

T. 450 477-2828 | F. 450 477-6819 | hcssigns@sympatico.ca